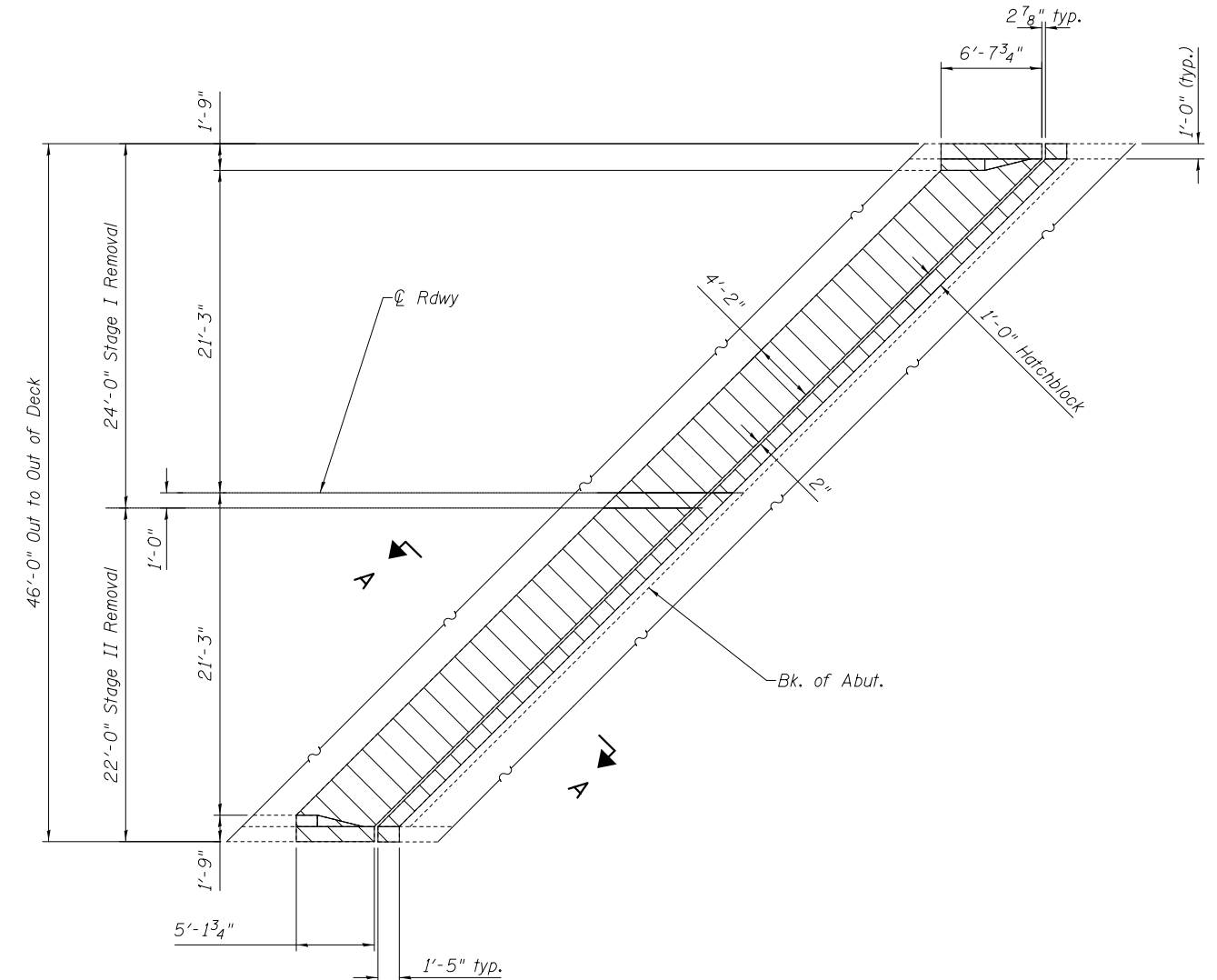


W. ABUTMENT



E. ABUTMENT

Note:
See sheet 6 of 11 for Section A-A

DESIGNED - A.Y.V.	EXAMINED	DATE -
CHECKED -	ENGINEER OF STRUCTURAL SERVICES	
DRAWN - A.Y.V.	PASSED	REVISED
CHECKED -	ENGINEER OF BRIDGES AND STRUCTURES	REVISED

**STATE OF ILLINOIS
DEPARTMENT OF TRANSPORTATION**

**JOINT REMOVAL
042-0018**

SHEET NO. 3 OF 11 SHEETS

F.A.P. RTE.	SECTION	COUNTY	TOTAL SHEETS	SHEET NO.
325	113BR, 113BR-1	Jersey	33	16
CONTRACT NO. 76G44				
ILLINOIS FED. AID PROJECT				