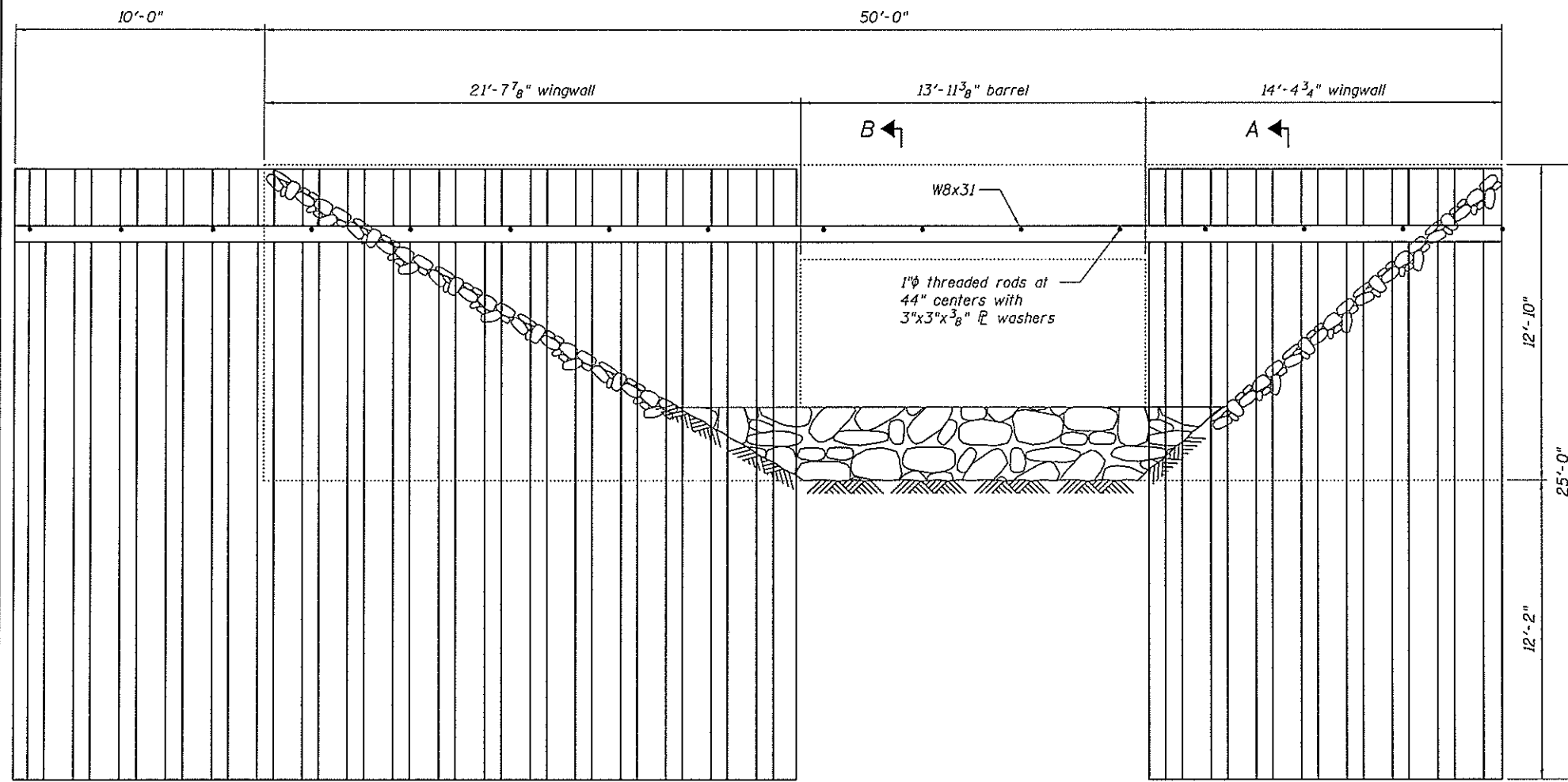
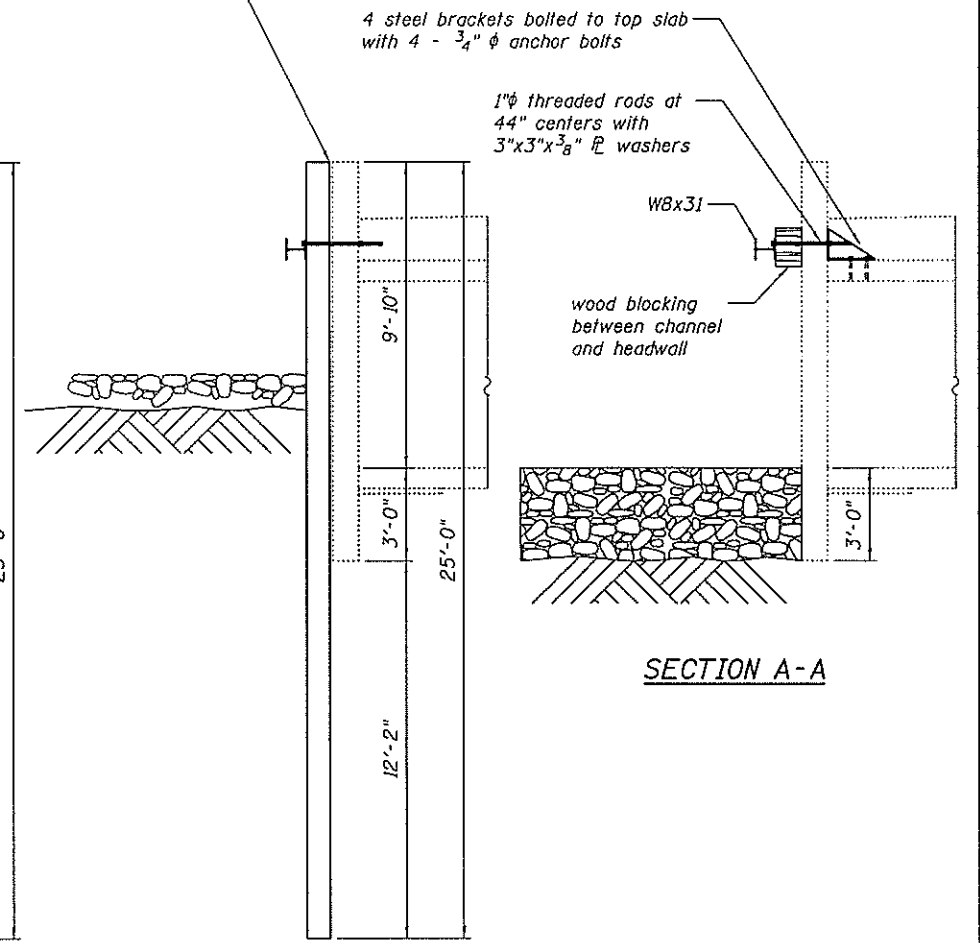


PLAN VIEW

Fill area between sheeting and wingwalls with concrete in 2 lifts.  
Average thickness assumed 1'.  
The first lift shall be placed to 5' above the culvert bottom slab.  
The second lift shall not be placed until the first lift has cured.



WEST END CULVERT ELEVATION



SECTION A-A

DESIGNED - J. Uehle	EXAMINED	DATE - 2/14/2013
CHECKED - C. Sanders	ENGINEER OF STRUCTURAL SERVICES	
DRAWN - J. Uehle	PASSED	REVISOR
CHECKED - C. Sanders	ENGINEER OF BRIDGES AND STRUCTURES	REVISOR

STATE OF ILLINOIS  
DEPARTMENT OF TRANSPORTATION

060-2455  
SHEET PILING DETAILS  
SHEET NO. 2 OF 3 SHEETS

F.A.P. RTE.	SECTION	COUNTY	TOTAL SHEETS	SHEET NO.
604	(103,125)RS-2, 125-BR-2	Madison	46	43
CONTRACT NO. 76G25				
ILLINOIS FED. AID PROJECT				