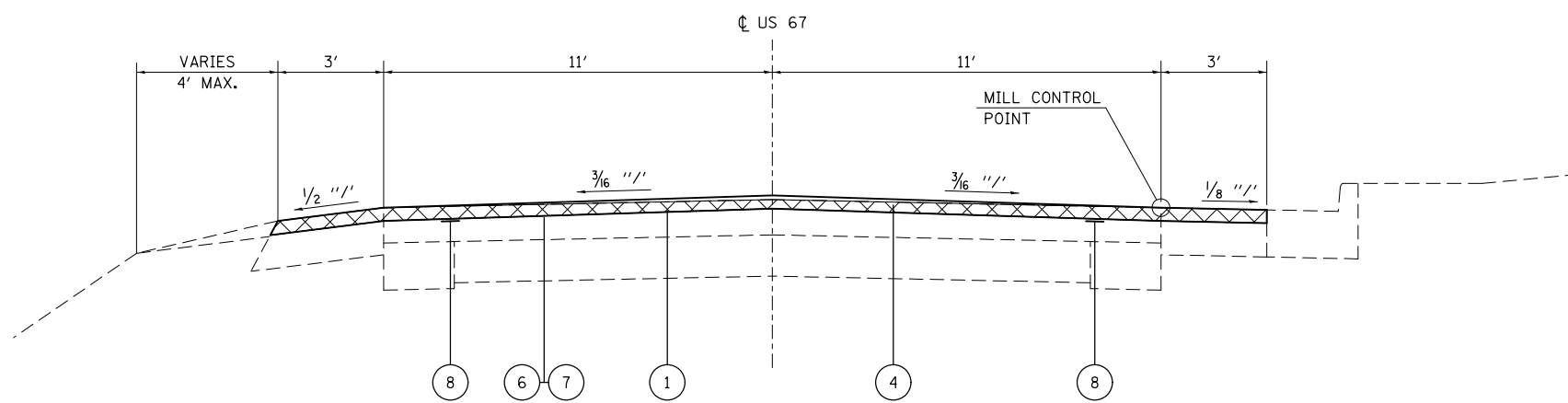
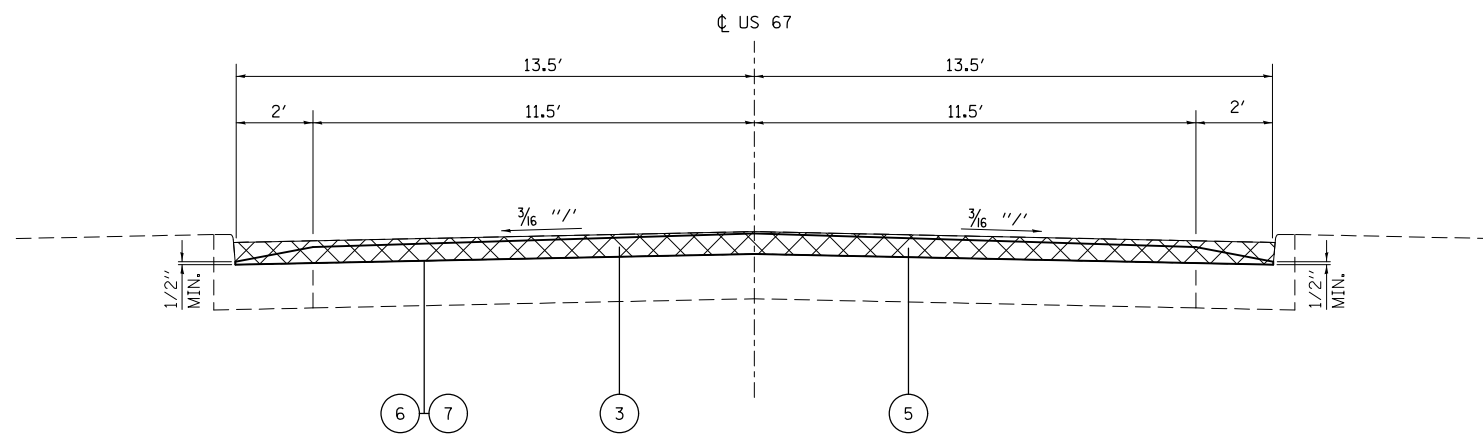


STA. 654+29.79 TO STA. 656+56.17



STA. 659+48.16 TO STA. 683+72.70

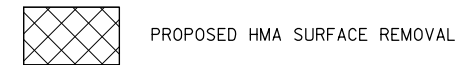


STA. 683+72.70 TO STA. 693+20.87

LEGEND

- (A) EXISTING P.C.C. PAVEMENT ± 9"
- (B) EXISTING P.C.C. PAVEMENT ± 7"
- (C) EXISTING P.C.C. WIDENING ± 8"
- (D) EXISTING BRICK PAVEMENT
- (E) EXISTING HOT-MIX ASPHALT - ± 2 1/2"
- (F) EXISTING HOT-MIX ASPHALT - ± 3 1/2"
- (G) EXISTING HOT-MIX ASPHALT - ± 4"
- (H) EXISTING HOT-MIX ASPHALT - ± 5 1/2"
- (I) EXISTING HOT-MIX ASPHALT - ± 6"
- (J) EXISTING HOT-MIX ASPHALT - ± 7 1/2"
- (K) EXISTING CONCRETE CURB & GUTTER TYPE B-6.24
- (L) EXISTING CONCRETE CURB & GUTTER
- (M) EXISTING HOT-MIX ASPHALT SHOULDER - 8"
- (N) EXISTING AGGREGATE SHOULDER TYPE B
- (O) EXISTING P.C.C.

- (1) PROPOSED HMA SURFACE REMOVAL, 2 1/4"
- (2) PROPOSED HMA SURFACE REMOVAL, 2 1/2"
- (3) PROPOSED HMA SURFACE REMOVAL, 3 1/2"
- (4) PROPOSED HMA SURFACE COURSE, 2 1/4"
- (5) PROPOSED HMA SURFACE COURSE, 2 1/2"
- (6) PROPOSED BITUMINOUS MATERIALS (PRIME COAT)
- (7) PROPOSED AGGREGATE (PRIME COAT)
- (8) PROPOSED STRIP REFLECTIVE CRACK CONTROL TREATMENT



FILE NAME =	USER NAME = harbaughrd	DESIGNED -	REVISED -
et:\pwork\pwork\dot\harbaughrd\0327911\0876617-sh-typ10a1.dgn		DRAWN -	REVISED -
#MODELNAME#	PLOT SCALE = 100.0000' / 1"	CHECKED -	REVISED -
	PLOT DATE = 12/6/2013	DATE -	REVISED -

**STATE OF ILLINOIS
DEPARTMENT OF TRANSPORTATION**

**TYPICAL SECTIONS
(PROPOSED)**

SCALE: N/A SHEET 5 OF 6 SHEETS STA. TO STA.

F.A.S RTE.	SECTION	COUNTY	TOTAL SHEETS	SHEET NO.
743	(53,54,55)RS-3	GREENE	19	13
CONTRACT NO. 76G17				
ILLINOIS FED. AID PROJECT				