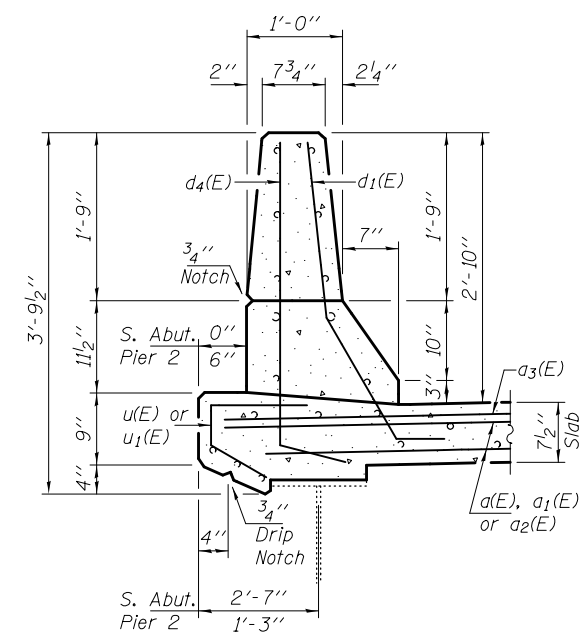
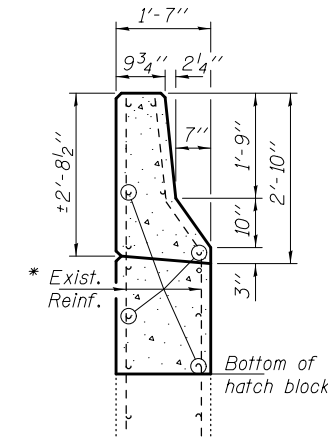


TYPICAL SECTION THRU EXTERIOR PARAPET

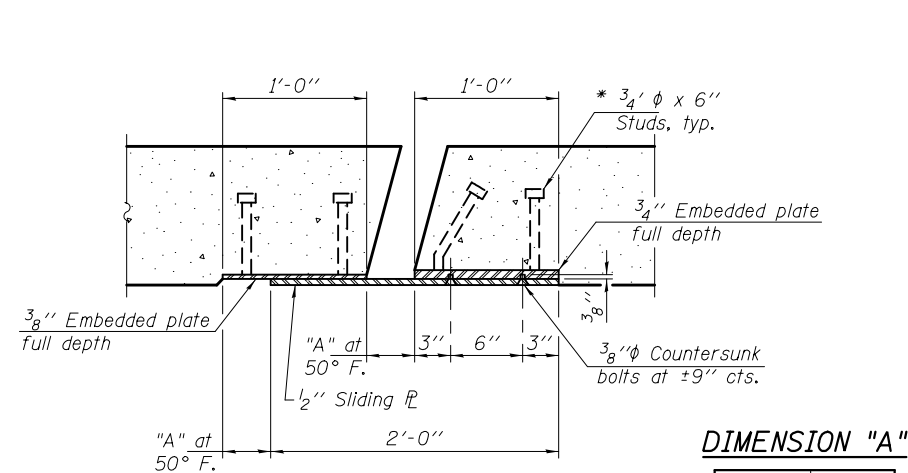
SECTION THRU BRIDGE MEDIAN



SECTION THRU EXTERIOR PARAPET AT S. ABUT. & PIER 2, SPAN 2, WEST END



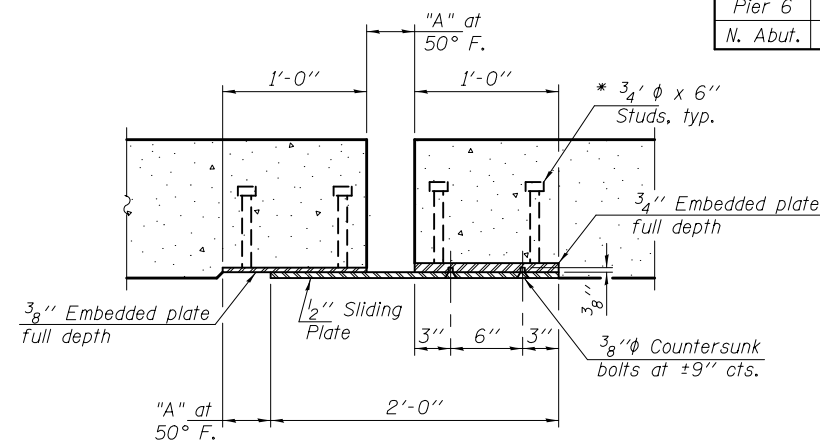
TYPICAL SECTION AT APPROACH PARAPET



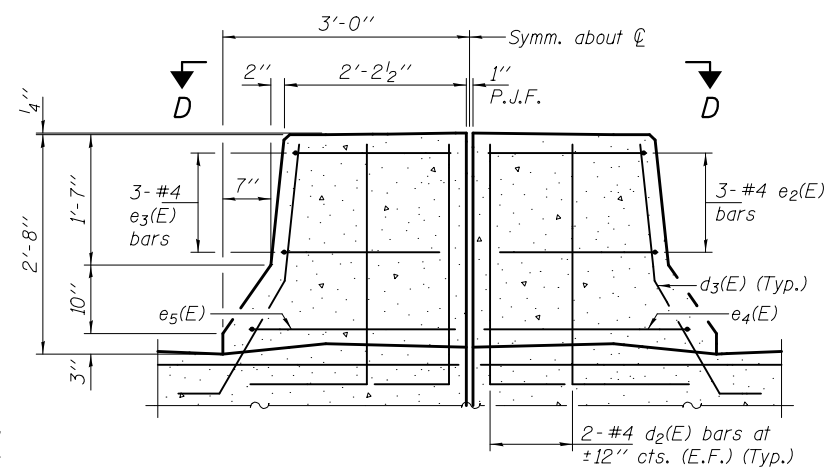
MEDIAN SLIDING PLATE DETAIL

DIMENSION "A"

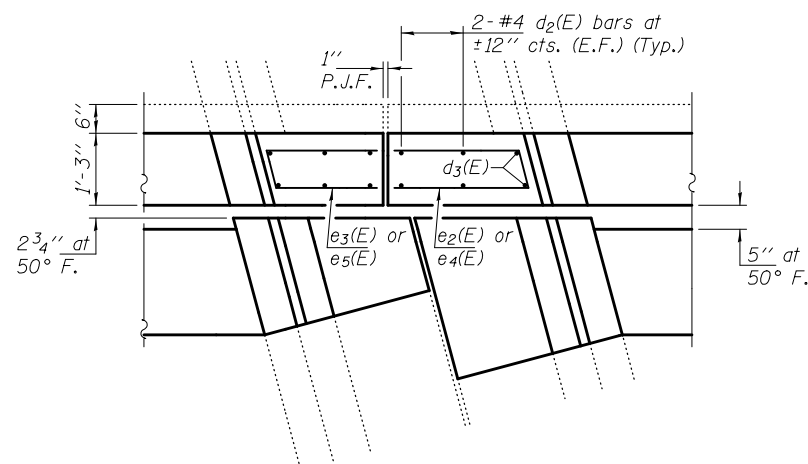
Location	"A"
Pier 2	3"
Pier 6	3 3/4"
N. Abut.	2 3/4"



OUTSIDE PARAPET SLIDING PLATE DETAIL

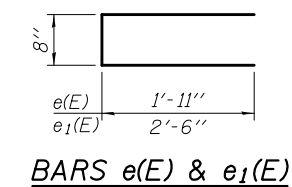


SECTION THRU N. ABUT. MEDIAN

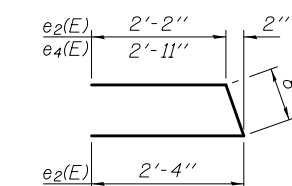


VIEW D-D

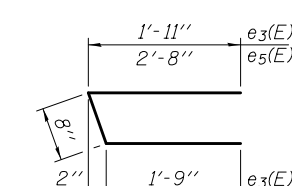
Bridge Deck Reinforcement not shown for clarity.



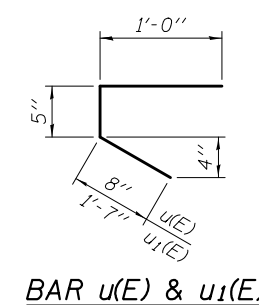
BARS e(E) & e1(E)



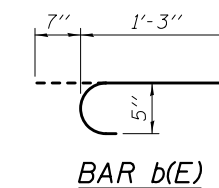
BARS e2(E) & e4(E)



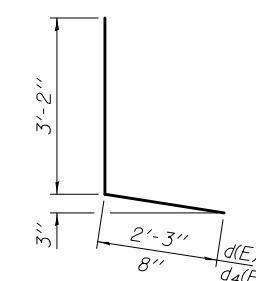
BARS e3(E) & e5(E)



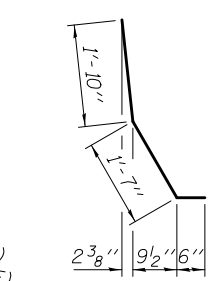
BAR u(E) & u1(E)



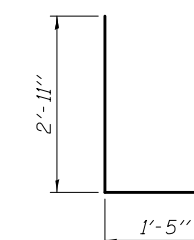
BAR b(E)



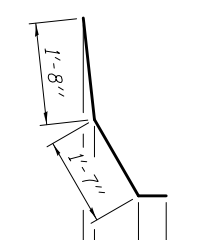
BARS d(E) & d4(E)



BAR d1(E)



BAR d2(E)



BAR d3(E)

DESIGNED ATH
CHECKED VHV
DRAWN Steffen
CHECKED ATH VHV

EXAMINED
PASSED
ACTING ENGINEER OF STRUCTURAL SERVICES
ACTING ENGINEER OF BRIDGES AND STRUCTURES

DATE JANUARY 22, 2014
REVISED
REVISED

STATE OF ILLINOIS
DEPARTMENT OF TRANSPORTATION

REPAIR DETAILS
SN 082-0227

SHEET NO. 14 OF 17 SHEETS

F.A.I. RTE.	SECTION	COUNTY	TOTAL SHEETS	SHEET NO.
255	82-4HYB-1	ST. CLAIR	46	36
CONTRACT NO. 76D51				
ILLINOIS FED. AID PROJECT				