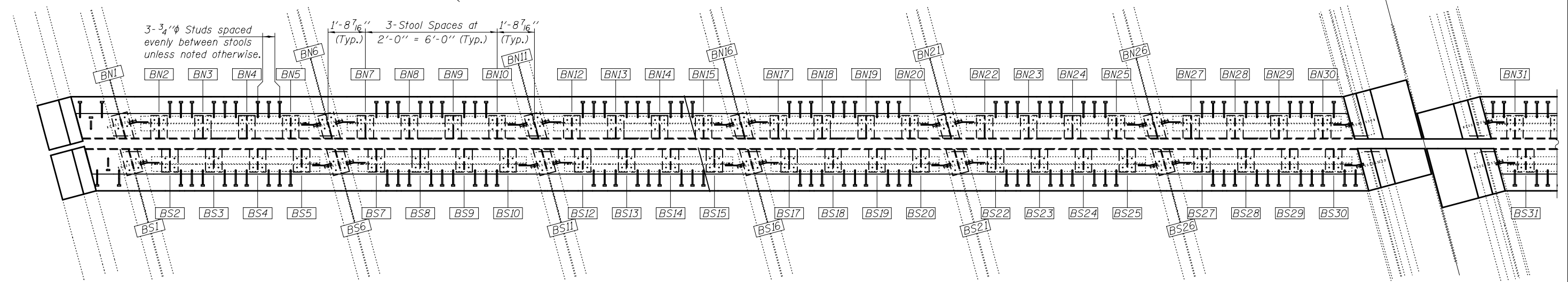
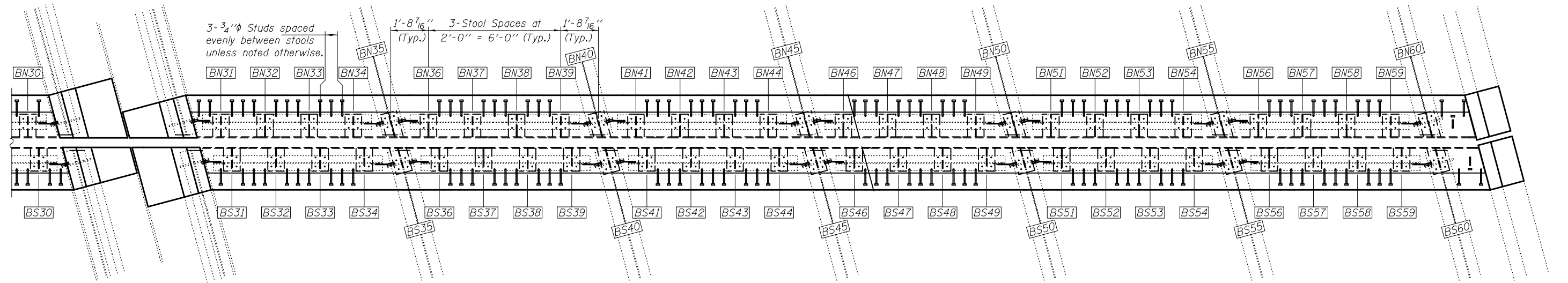


PARTIAL CROSS SECTION



PARTIAL PLAN



PARTIAL PLAN

DESIGNED <i>ATH</i>	EXAMINED <i>Timothy A. [Signature]</i>	DATE JANUARY 22, 2014
CHECKED <i>VHV</i>	PASSED <i>[Signature]</i>	REVISIONS
DRAWN <i>Steffen</i>	ACTING ENGINEER OF BRIDGES AND STRUCTURES	
CHECKED <i>ATH VHV</i>		

**STATE OF ILLINOIS
DEPARTMENT OF TRANSPORTATION**

**FINGER PLATE DETAILS AT PIER 6
SN 082-0227**

F.A.I. RTE.	SECTION	COUNTY	TOTAL SHEETS	SHEET NO.
255	82-4HVB-1	ST. CLAIR	46	32
CONTRACT NO. 76D51				
ILLINOIS FED. AID PROJECT				