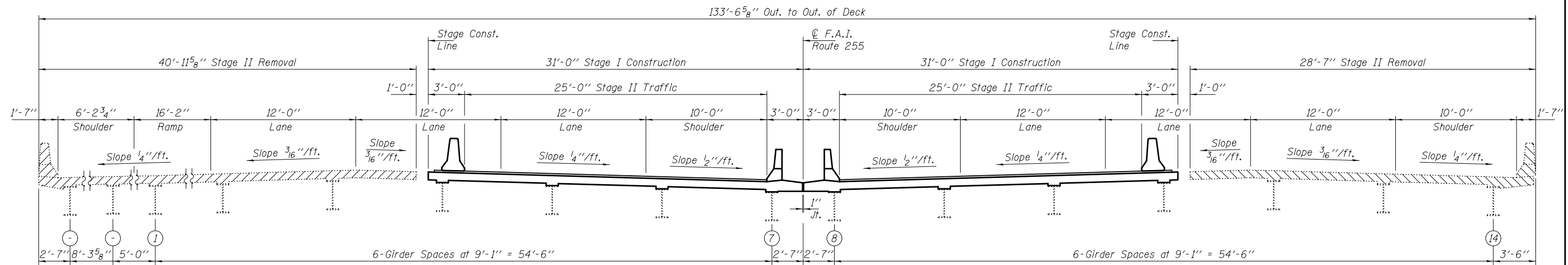
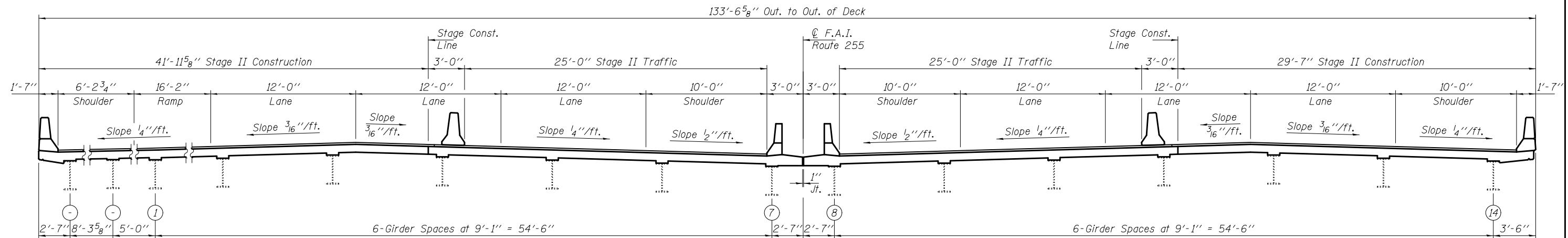


STAGE I REMOVAL AT SOUTH ABUTMENT
(Looking North)



STAGE I CONSTRUCTION & STAGE II REMOVAL AT SOUTH ABUTMENT
(Looking North)



STAGE II CONSTRUCTION AT SOUTH ABUTMENT
(Looking North)

DESIGNED ATH	EXAMINED <i>Timothy A. [Signature]</i>	DATE JANUARY 22, 2014
CHECKED VHV	PASSED <i>[Signature]</i>	REVISED
DRAWN Steffen	ACTING ENGINEER OF BRIDGES AND STRUCTURES	REVISED
CHECKED ATH VHV		

STATE OF ILLINOIS
DEPARTMENT OF TRANSPORTATION

STAGING DETAILS AT SOUTH ABUTMENT
SN 082-0227

SHEET NO. 2 OF 17 SHEETS

F.A.I. RTE.	SECTION	COUNTY	TOTAL SHEETS	SHEET NO.
255	82-4HVB-1	ST. CLAIR	46	24
CONTRACT NO. 76D51			ILLINOIS FED. AID PROJECT	