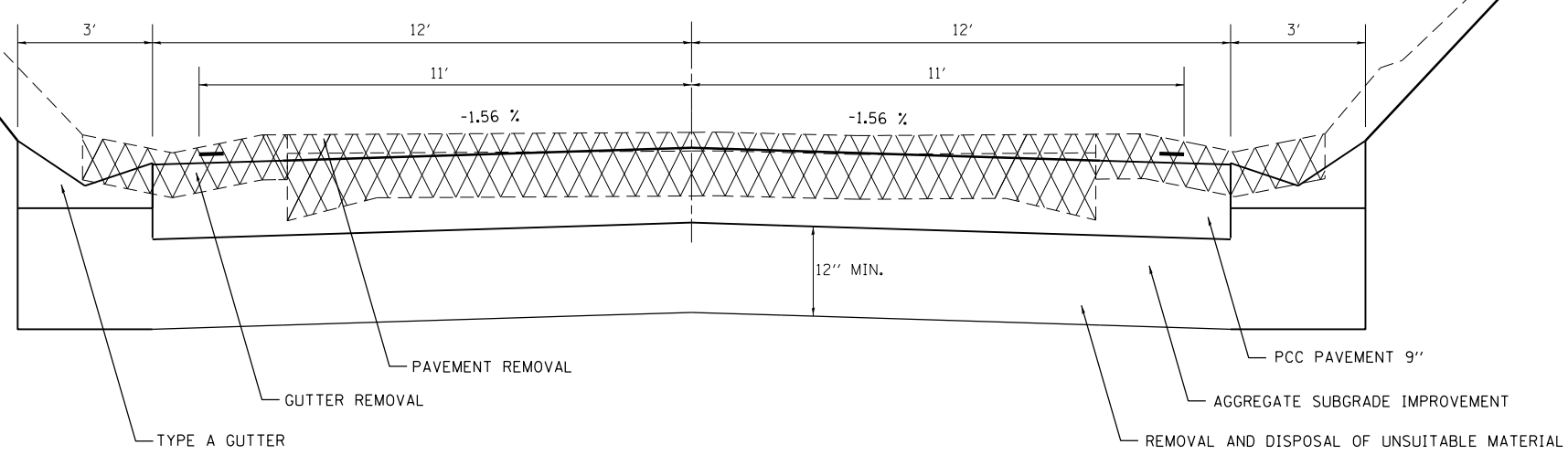
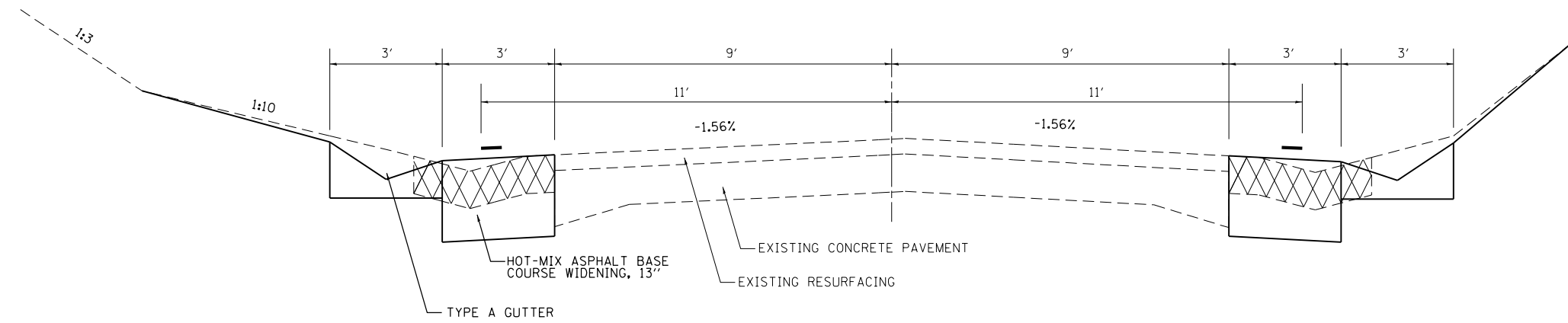


EXISTING TYPICAL



PROPOSED TYPICAL
STA 1390+59 TO STA 1394+08



PROPOSED TYPICAL
STA 1383+06 TO STA 1390+59

FILE NAME =	USER NAME = teasleyck	DESIGNED -	REVISED -
c:\pwork\pwork\teasleyck\0348300\07	74627-sh-typicals.dgn	DRAWN -	REVISED -
Default	PLOT SCALE = 100.0000' / in.	CHECKED -	REVISED -
	PLOT DATE = 12/19/2013	DATE -	REVISED -

**STATE OF ILLINOIS
DEPARTMENT OF TRANSPORTATION**

TYPICAL SECTIONS				
SCALE:	SHEET	OF	SHEETS	STA. TO STA.

F.A.S. RTE.	SECTION	COUNTY	TOTAL SHEETS	SHEET NO.
2801	D7 DRAINAGE REHAB 2014-1	EFFINGHAM, FAYETTE	22	5
ILLINOIS FED. AID PROJECT			CONTRACT NO. 74627	