

PLACE THE ARROW 18' (5.5 m) BACK FROM STOP BAR
 PLACE ANOTHER ARROW EVEN WITH THE BEGINNING
 OF THE SOLID WHITE LINE. SPACE ADDITIONAL ARROWS
 EVENLY UP TO 80' (24.4 m) MAXIMUM SPACING.

* REDUCE TO 40 FEET (12.2 METERS) SPACING ON CURVES
 WHERE ADVISORY SPEEDS ARE 10 MPH (15 km/h) LOWER
 THAN POSTED SPEEDS.

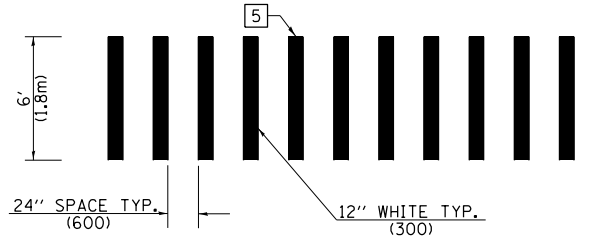
** DOUBLE LANE LINE MARKERS SHALL BE SPECIFIED
 AND SPACED AS SHOWN IN HIGHWAY STANDARD
 781001 FOR MULTI-LANE DIVIDED AND UNDIVIDED
 HIGHWAYS.

PAVEMENT MARKING LEGEND

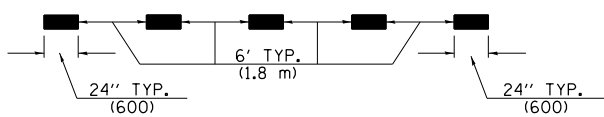
- 1 4" (100) SKIP-DASH (YELLOW)
- 2 4" (100) SOLID (YELLOW)
- 3 12" (300) DIAGONAL (YELLOW)
- 4 4" (100) DOUBLE YELLOW (NARROW)
- 5 12" (300) SOLID WHITE
- 6 RESERVED
- 7 6" (150) SKIP-DASH (WHITE)
- 8 4" (100) SOLID (WHITE)
- 9 12" (300) DIAGONAL (WHITE)
- 10 6" (150) SOLID (WHITE)
- 11 24" (600) STOP BAR (WHITE)
- 12 8" (200) SOLID (WHITE)
- 13 4" (100) PARKING WHITE

GENERAL NOTES

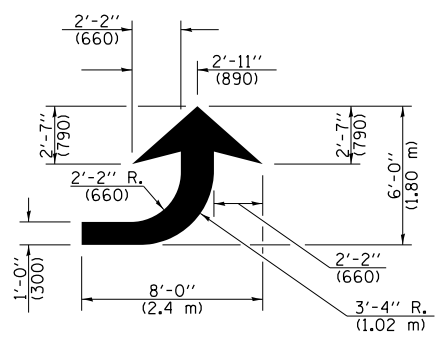
1. TURN ARROW PAIRS SHALL BE PLACED AT 250' (75 m) INTERVALS AND SHALL BE EVENLY SPACED BETWEEN BOTH ENDS OF THE BIDIRECTIONAL LEFT TURN LANE. USE A MINIMUM OF TWO PAIRS PER BLOCK.
2. THE SOLID YELLOW PAVEMENT MARKINGS [2] SHOULD GENERALLY START OR END NEAR THE RADIUS POINT OF EACH STREET RETURN EXCEPT WHERE ONE OR BOTH ENDS WOULD INCLUDE STOP BARS.
3. THE SKIP-DASH PAVEMENT MARKINGS [1] OR [7] SHOULD BE CENTERED BETWEEN BOTH ENDS OF EACH CITY BLOCK AND SHALL BE PLACED SO THEY LINE UP ACROSS FROM EACH OTHER.
4. USE LARGE ARROW SIZE FOR BOTH RURAL AND URBAN LOCATIONS. (SEE LAST PAGE OF SECTION 780x FOR SYMBOLS TABLE)
5. LANE LINE EXTENSIONS SHALL BE THE SAME COLOR AND WIDTH AS THE LANE LINE BEING EXTENDED.



**CROSSWALK DETAIL
 (DECATUR CITY LIMITS ONLY)**

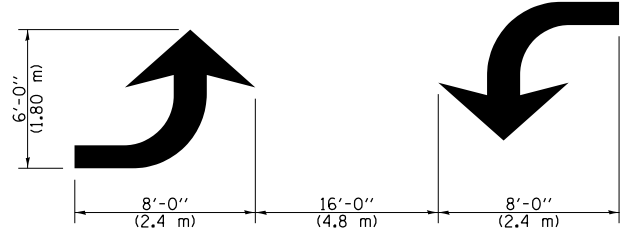


LANE LINE EXTENSIONS



LEFT ARROW

REVERSE FOR RIGHT ARROW
 AREA = 15.6 SQ. FT. (1.47 m²)
 (WHITE)



**TYPICAL DOUBLE
 TURN ARROWS (WHITE)**

NOT TO SCALE

Note: All dimensions are in INCHES
 (millimeters) unless otherwise shown.

FILE NAME =	USER NAME = steffenmk	DESIGNED -	REVISED -
ei:\pw\work\p\idot\steffenmk\d0340638\074618-sh1-details.dgn		DRAWN -	REVISED -
	PLOT SCALE = 100.0000' / 1in.	CHECKED -	REVISED -
	PLOT DATE = 12/6/2013	DATE -	REVISED -

**STATE OF ILLINOIS
 DEPARTMENT OF TRANSPORTATION**

**PAVEMENT MARKING AND RAISED REFLECTIVE PAVEMENT MARKERS
 (RURAL & URBAN APPLICATIONS)**

DISTRICT 7 DETAIL NO. 78000001				
F.A.P. RTE.	SECTION	COUNTY	TOTAL SHEETS	SHEET NO.
823	07 BRIDGE REPAIRS 2014-3	WAYNE	60	58
CONTRACT NO. 74618				
ILLINOIS FED. AID PROJECT				

SCALE: SHEET NO. 2 OF 4 SHEETS STA. TO STA.