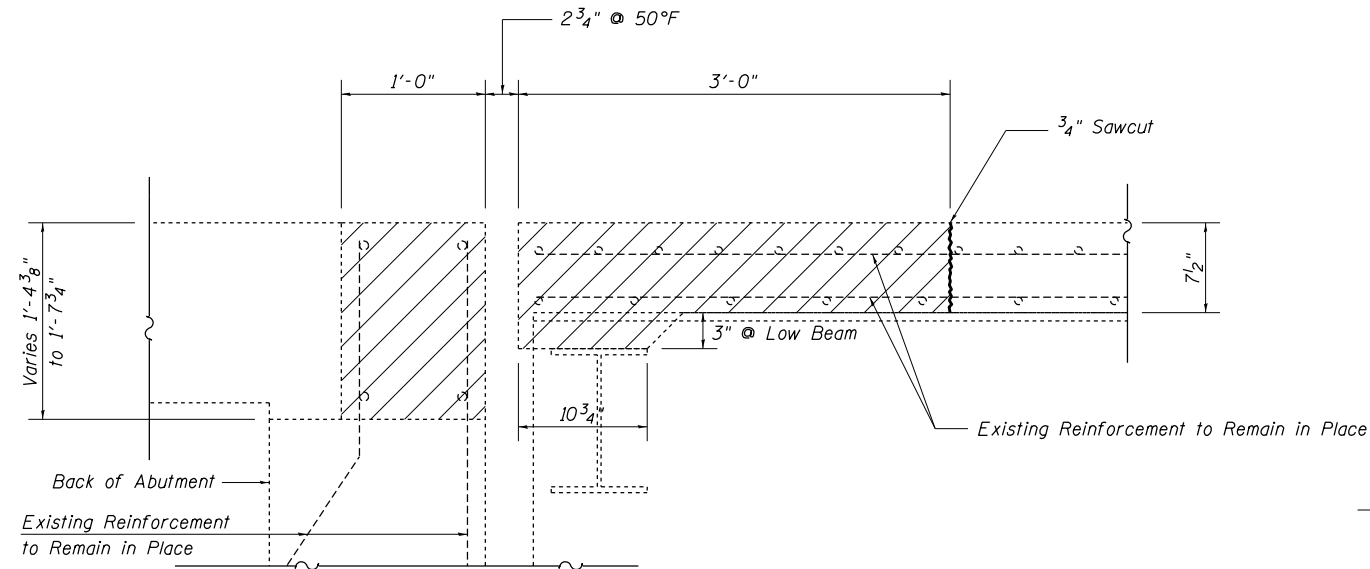
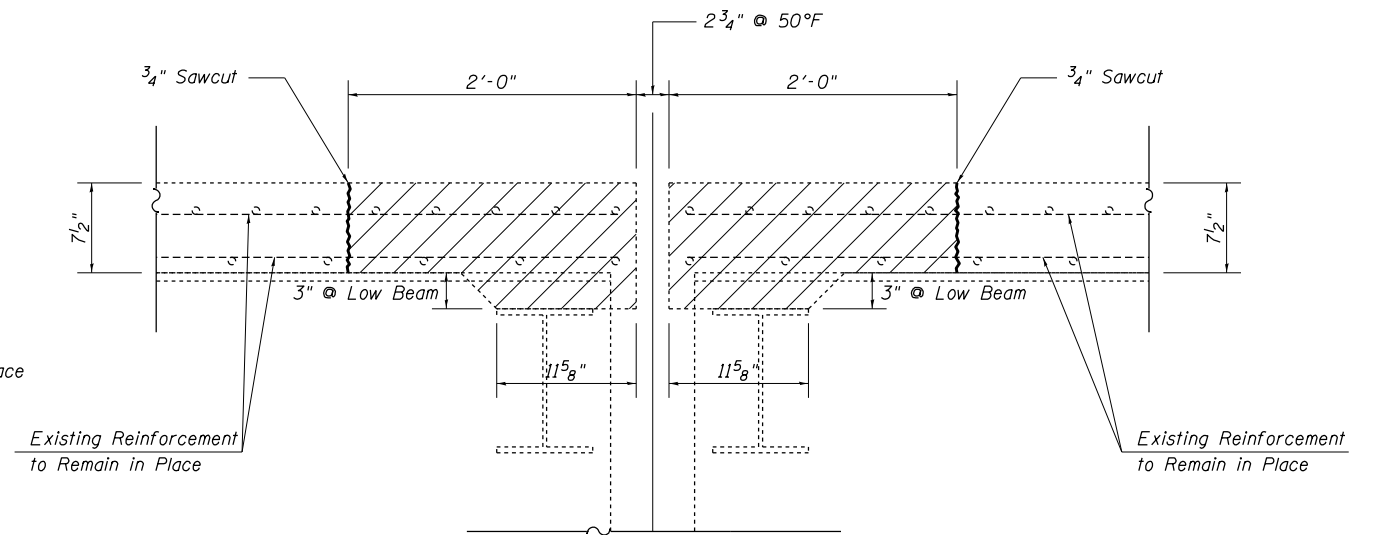


Hatching indicates Concrete Removal.

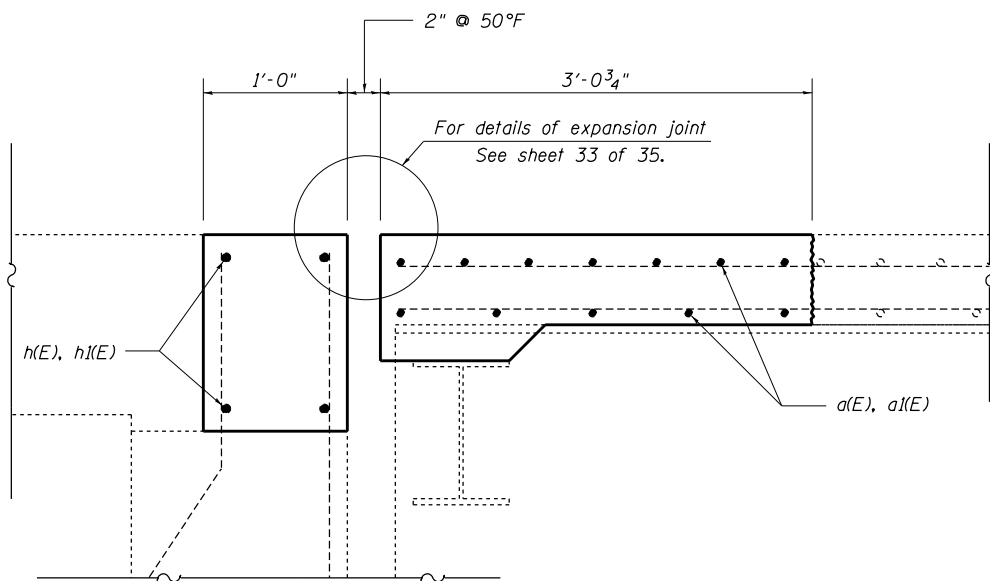


**SECTION A-A**  
(Dimensions at Rt. L's to end of deck)

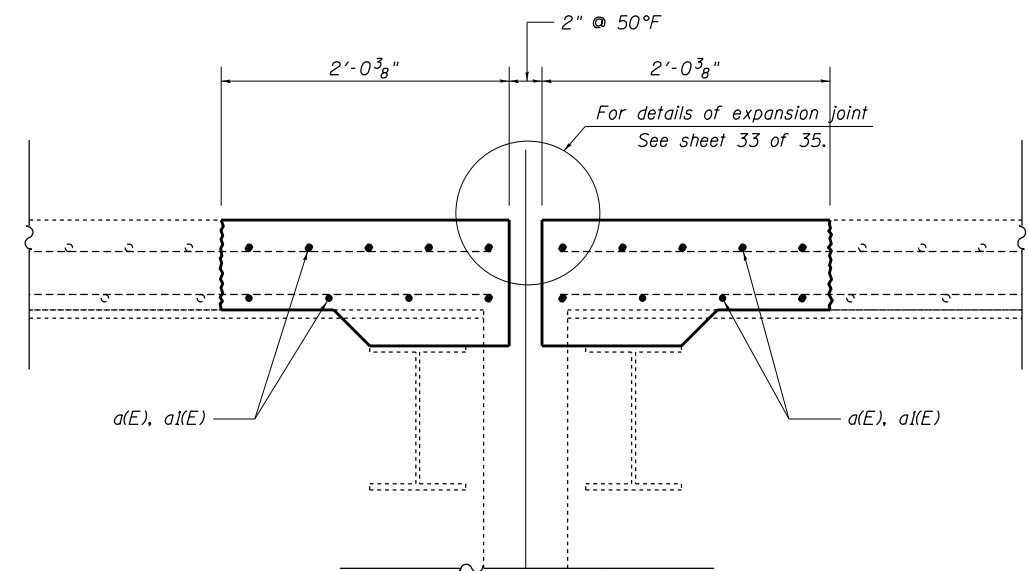


**SECTION C-C**  
(Dimensions at Rt. L's to end of deck)

- Existing Reinforcement
- Proposed Reinforcement



**SECTION B-B**  
(Dimensions at Rt. L's to end of deck)



**SECTION D-D**  
(Dimensions at Rt. L's to end of deck)

FILE NAME =	USER NAME = steffenmk	DESIGNED - KLB	REVISED -	<b>STATE OF ILLINOIS DEPARTMENT OF TRANSPORTATION</b>	<b>EXPANSION JOINT REPLACEMENT DETAILS SN. 096-0061</b>	F.A.P. RTE.	SECTION	COUNTY	TOTAL SHEETS	SHEET NO.	
Default	74618-shr-brdtdtals-0960061.dgn	DRAWN - 06/25/2013	REVISED -			823	07 BRIDGE REPAIRS 2014-3	WAYNE	60	50	
	PLOT SCALE = 40.0000 ' / in.	CHECKED - MEA	REVISED -			CONTRACT NO. 74618					
	PLOT DATE = 12/6/2013	DATE - 08/13/2013	REVISED -			ILLINOIS FED. AID PROJECT					
				SCALE: N/A	SHEET 29 OF 35 SHEETS	STA.	TO STA.				