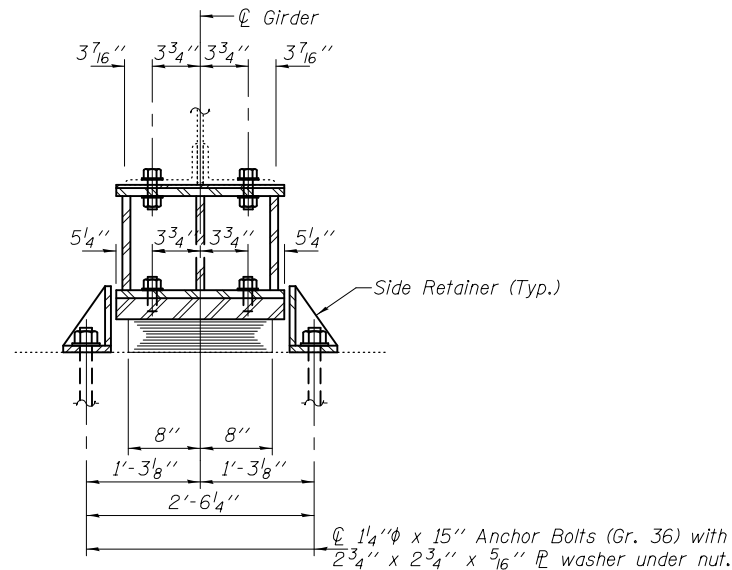


ELEVATION



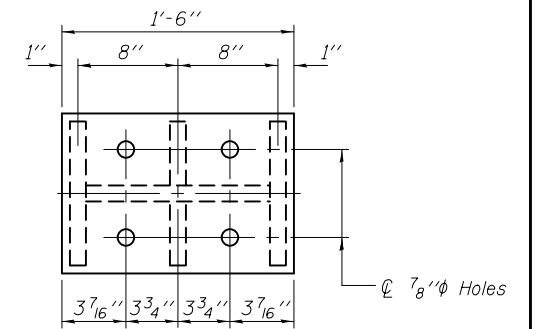
SECTION A-A

TYPE I ELASTOMERIC EXP. BRG.

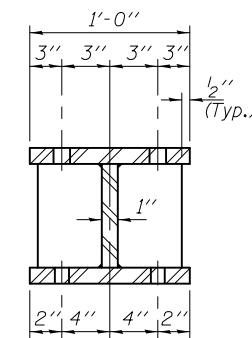
BEAM REACTIONS

RP	(K)	69.4
R \ddot{e}	(K)	45.8
Imp.	(K)	9.1
R (Total)	(K)	124.3

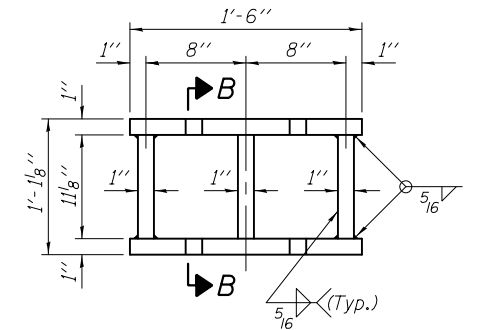
Notes:
Diaphragm removal and reinstallation may be required to facilitate drilling holes. Cost included with Furnishing and Erecting Structural Steel.
New steel extensions, shim plates and connection bolts are included with Furnishing and Erecting Structural Steel.
Prior to ordering any material, the Contractor shall verify in the field all bearing height and shim thickness dimensions. Min. jack capacity = 73 Tons.
Anchor bolts shall be ASTM F1554 all-thread (or an Engineer-approved alternate material) of the grade(s) and diameter(s) specified. ASTM A307 Grade C anchor bolts may be used in lieu of ASTM F1554 Grade 36 (Fy=36ksi). The corresponding specified grade of AASHTO M314 anchor bolts may be used in lieu of ASTM F1554.
Drilled and set anchor bolts shall be installed according to Article 521.06 of the Standard Specifications.
Side retainers shall be included in the cost of Elastomeric Bearing Assembly, Type I.



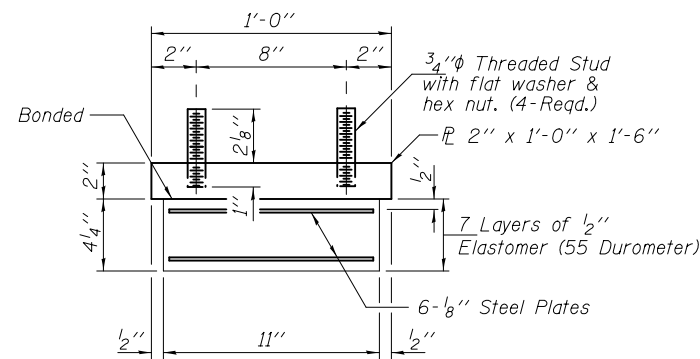
PLAN TOP AND BOTTOM PLATE



SECTION B-B

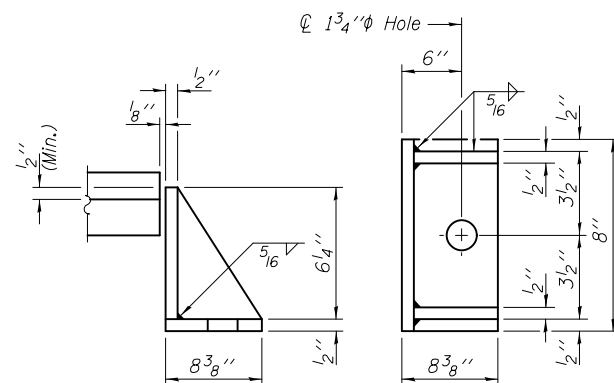


STEEL EXTENSION DETAIL



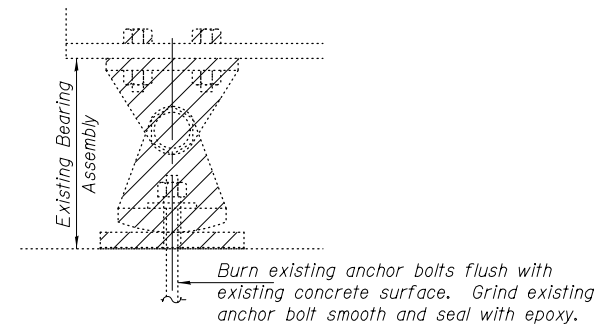
BEARING ASSEMBLY

Note:
Shim plates shall not be placed under Bearing Assembly.



SIDE RETAINER

Equivalent rolled angle with stiffeners will be allowed in lieu of welded plates.



EXISTING BEARING REMOVAL DETAIL

Cost included with Jack and Remove Existing Bearings.

BILL OF MATERIAL

Item	Unit	Total
Elastomeric Bearing Assembly Type I	Each	5
Jack and Remove Existing Bearings	Each	5
Furnishing and Erecting Structural Steel	Pound	1360
Anchor Bolts 1 1/4" ϕ	Each	10

TYI/REPS 12-03-2008

DESIGNED DAB	EXAMINED <i>Timothy A. Daulton</i>	DATE JANUARY 22, 2014
CHECKED VHV	ACTING ENGINEER OF STRUCTURAL SERVICES	
DRAWN baliva	PASSED <i>Carl Ringer</i>	
CHECKED DAB VHV	ACTING ENGINEER OF BRIDGES AND STRUCTURES	

STATE OF ILLINOIS
DEPARTMENT OF TRANSPORTATION

BEARING REPLACEMENT DETAILS
W. ABUTMENT
SN 096-0010

SHEET NO. 18 OF 35 SHEETS

F.A. RTE.	SECTION	COUNTY	TOTAL SHEETS	SHEET NO.
823	D7 BRIDGE REPAIRS 2014-3	WAYNE	60	39
			CONTRACT NO. 74618	
ILLINOIS FED. AID PROJECT				