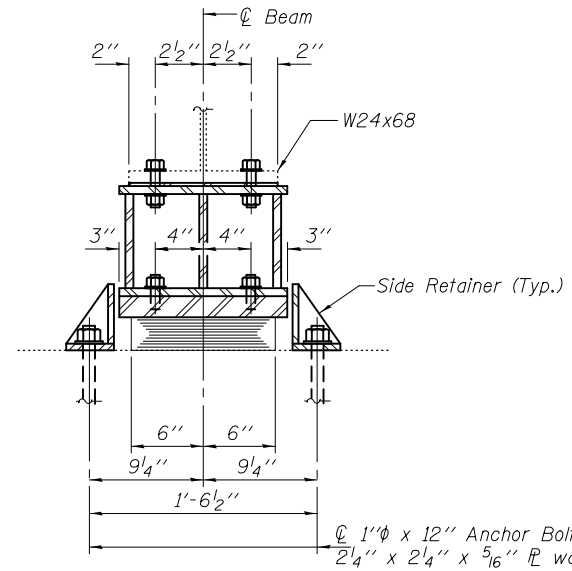
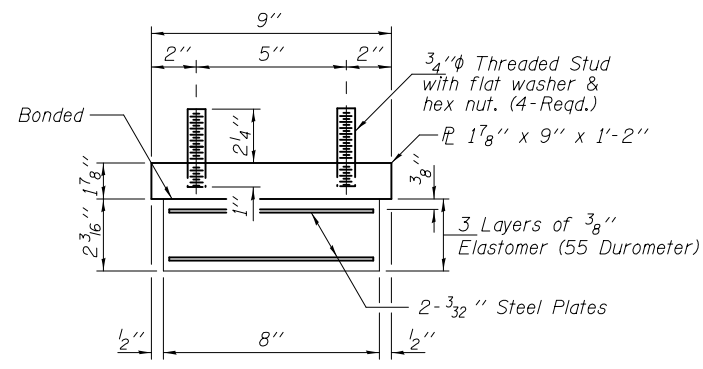


**ELEVATION**



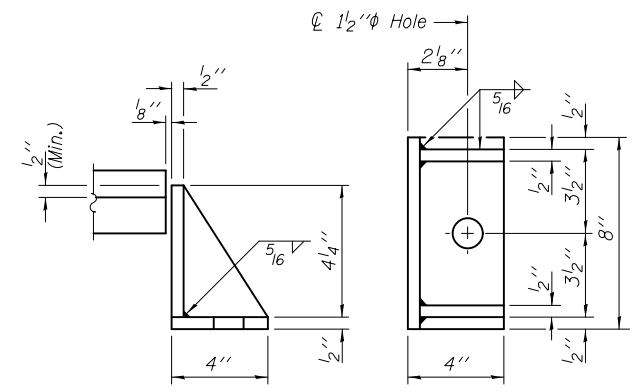
**SECTION A-A**

**TYPE I ELASTOMERIC EXP. BRG.**



**BEARING ASSEMBLY**

Note:  
 Shim plates shall not be placed under Bearing Assembly.



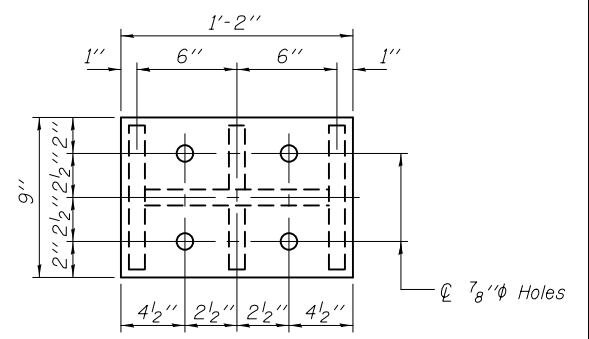
**SIDE RETAINER**

Equivalent rolled angle with stiffeners will be allowed in lieu of welded plates.

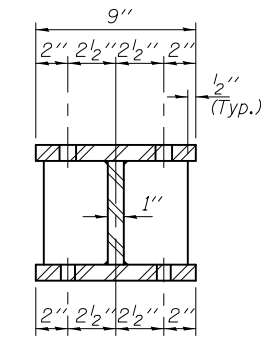
**BEAM REACTIONS**

RP	(K)	19.0
R $\ddot{t}$	(K)	36.1
Imp.	(K)	10.8
R (Total)	(K)	65.9

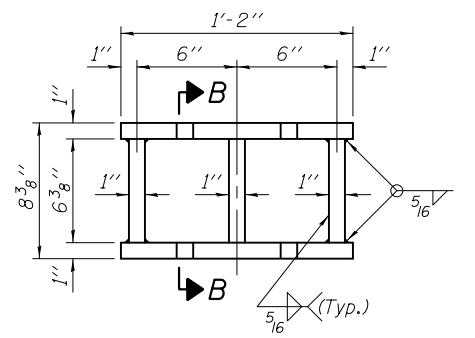
Notes:  
 Diaphragm removal and reinstallation may be required to facilitate drilling holes. Cost included with Furnishing and Erecting Structural Steel.  
 New steel extensions, shim plates and connection bolts are included with Furnishing and Erecting Structural Steel.  
 Prior to ordering any material, the Contractor shall verify in the field all bearing height and shim thickness dimensions. Min. jack capacity = 32 Tons.  
 Anchor bolts shall be ASTM F1554 all-thread (or an Engineer-approved alternate material) of the grade(s) and diameter(s) specified. ASTM A307 Grade C anchor bolts may be used in lieu of ASTM F1554 Grade 36 (Fy=36ksi). The corresponding specified grade of AASHTO M314 anchor bolts may be used in lieu of ASTM F1554.  
 Drilled and set anchor bolts shall be installed according to Article 521.06 of the Standard Specifications.  
 Side retainers shall be included in the cost of Elastomeric Bearing Assembly, Type I.



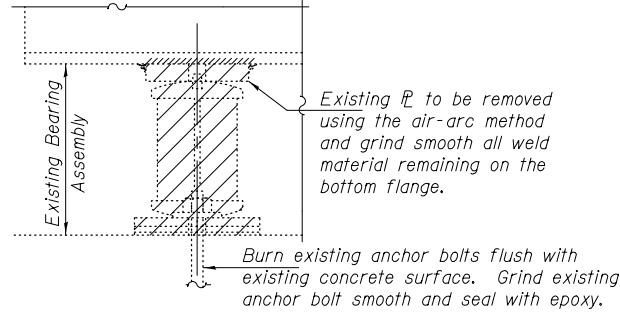
**PLAN TOP PLATE**



**SECTION B-B**

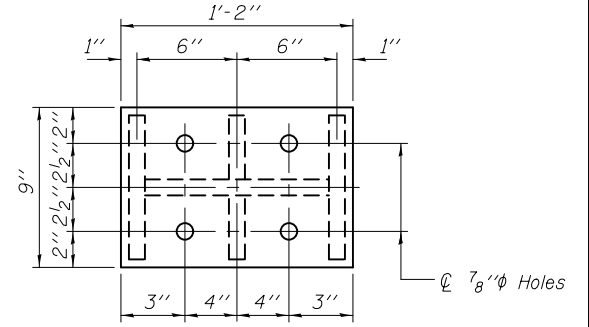


**STEEL EXTENSION DETAIL**



**EXISTING BEARING REMOVAL DETAIL**

Cost included with Jack and Remove Existing Bearings.



**PLAN BOTTOM PLATE**

**BILL OF MATERIAL**

Item	Unit	Total
Elastomeric Bearing Assembly Type I	Each	40
Jack and Remove Existing Bearings	Each	40
Furnishing and Erecting Structural Steel	Pound	5400
Anchor Bolts 1" $\phi$	Each	80

TYI/REPS 12-03-2008

DESIGNED DAB	EXAMINED	DATE JANUARY 22, 2014
CHECKED VHV	<i>Timothy A. Daulton</i> ACTING ENGINEER OF STRUCTURAL SERVICES	
DRAWN baliva	PASSED	
CHECKED DAB VHV	<i>Carl Berger</i> ACTING ENGINEER OF BRIDGES AND STRUCTURES	

STATE OF ILLINOIS  
 DEPARTMENT OF TRANSPORTATION

BEARING REPLACEMENT DETAILS  
 PIER 3, PIER 7, PIER 11 & PIER 15  
 SN 096-0010

F.A. RTE.	SECTION	COUNTY	TOTAL SHEETS	SHEET NO.
823	D7 BRIDGE REPAIRS 2014-3	WAYNE	60	38
			CONTRACT NO. 74618	
ILLINOIS FED. AID PROJECT				