

BEAM REACTIONS

R _P	(K)	19.0
R _L	(K)	36.1
Imp.	(K)	10.8
R (Total)	(K)	65.9

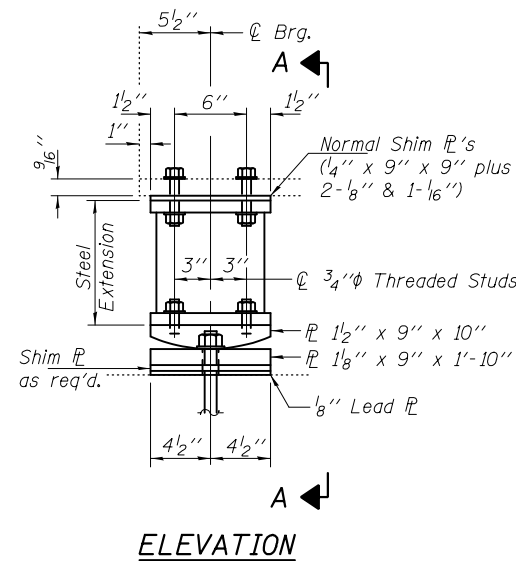
Notes:

Diaphragm removal and reinstallation may be required to facilitate drilling holes. Cost included with Furnishing and Erecting Structural Steel.

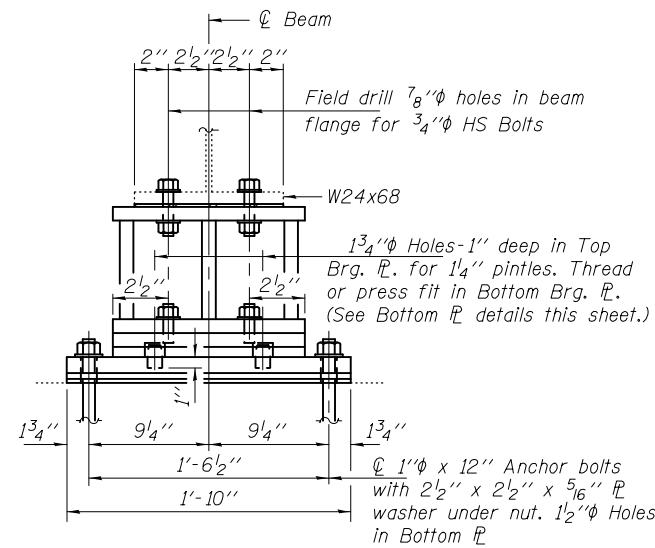
New steel extensions, shim plates and connection bolts are included with Furnishing and Erecting Structural Steel. Prior to ordering any material, the Contractor shall verify in the field all bearing height and shim thickness dimensions. Min. jack capacity = 32 Tons.

Anchor bolts shall be ASTM F1554 all-thread (or an Engineer-approved alternate material) of the grade(s) and diameter(s) specified. ASTM A307 Grade C anchor bolts may be used in lieu of ASTM F1554 Grade 36 (F_y=36ksi). The corresponding specified grade of AASHTO M314 anchor bolts may be used in lieu of ASTM F1554.

Drilled and set anchor bolts shall be installed according to Article 521.06 of the Standard Specifications.

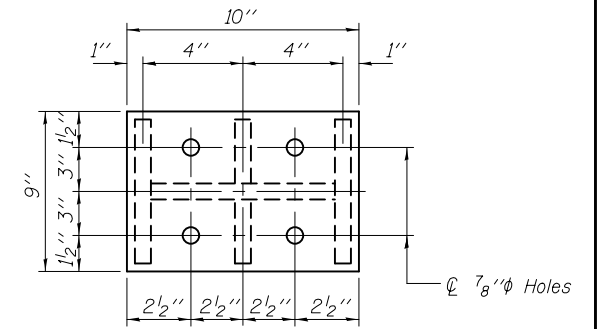


FIXED BEARING

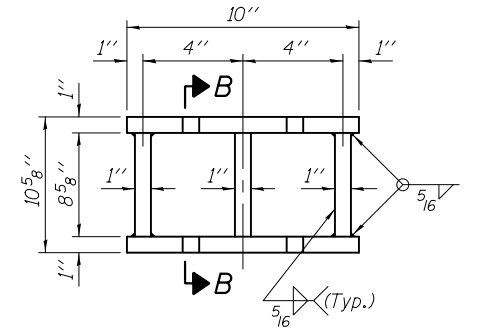


SECTION A-A

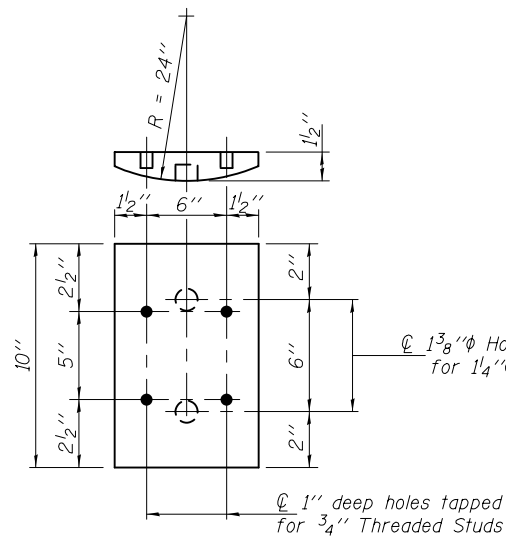
SECTION B-B



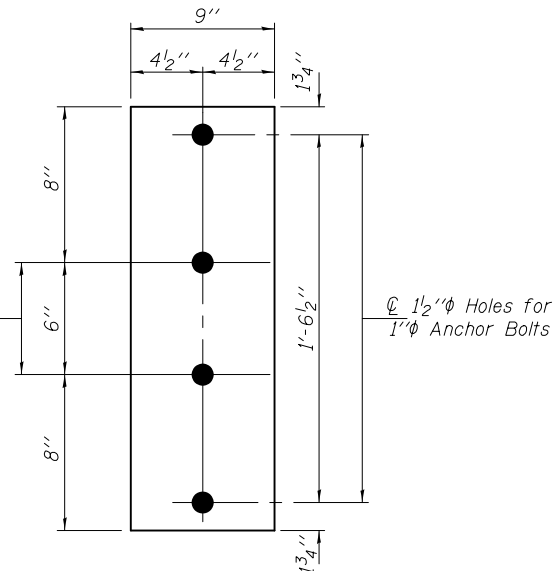
PLAN TOP AND BOTTOM PLATE



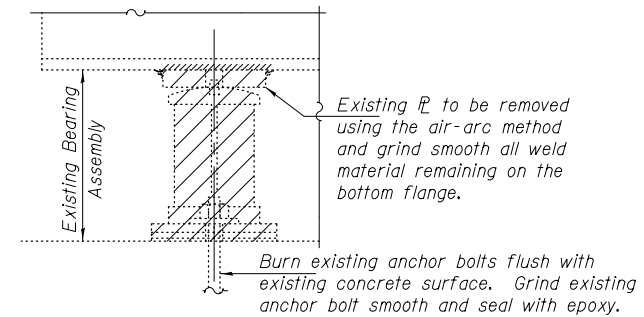
STEEL EXTENSION DETAIL



PLAN - TOP PLATE
P 1 1/2" x 9" x 10"

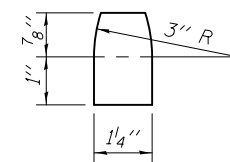


PLAN - BOTTOM PLATE
P 1 1/8" x 9" x 1'-10"



EXISTING BEARING REMOVAL DETAIL

Cost included with Jack and Remove Existing Bearings.



PINTLE

BILL OF MATERIAL

Item	Unit	Total
Jack and Remove Existing Bearings	Each	5
Furnishing and Erecting Structural Steel	Pound	1290
Anchor Bolts 1" ∅	Each	10

DESIGNED <i>DAB</i>	EXAMINED <i>Timothy A. [Signature]</i>	DATE <i>JANUARY 22, 2014</i>
CHECKED <i>VHV</i>	ACTING ENGINEER OF STRUCTURAL SERVICES	
DRAWN <i>baliva</i>	PASSED <i>Carl [Signature]</i>	
CHECKED <i>DAB VHV</i>	ACTING ENGINEER OF BRIDGES AND STRUCTURES	

**STATE OF ILLINOIS
DEPARTMENT OF TRANSPORTATION**

**BEARING REPLACEMENT DETAILS
E. ABUTMENT
SN 096-0010**

SHEET NO. 15 OF 35 SHEETS

F.A. RTE.	SECTION	COUNTY	TOTAL SHEETS	SHEET NO.
823	D7 BRIDGE REPAIRS 2014-3	WAYNE	60	36
			CONTRACT NO. 74618	
ILLINOIS FED. AID PROJECT				