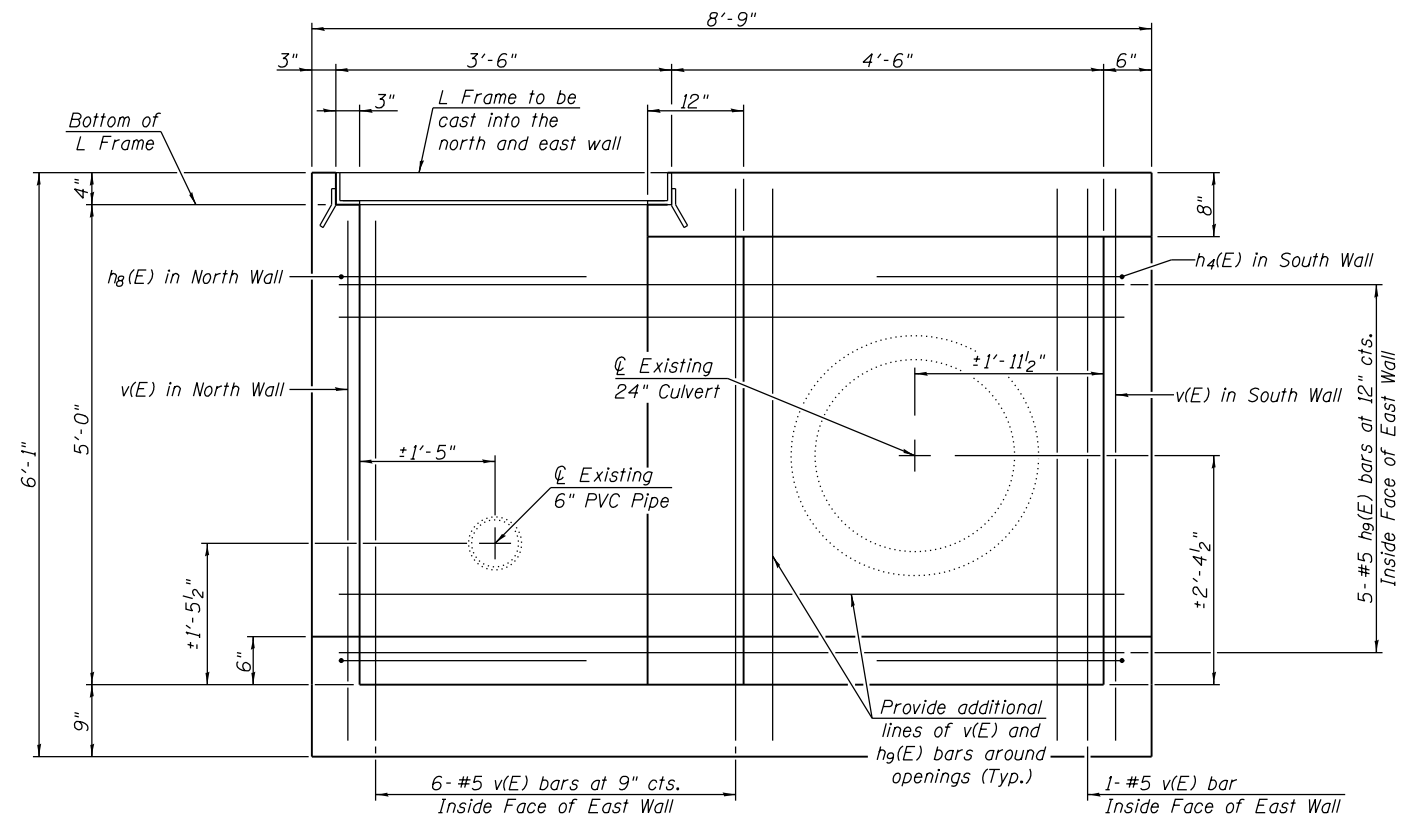
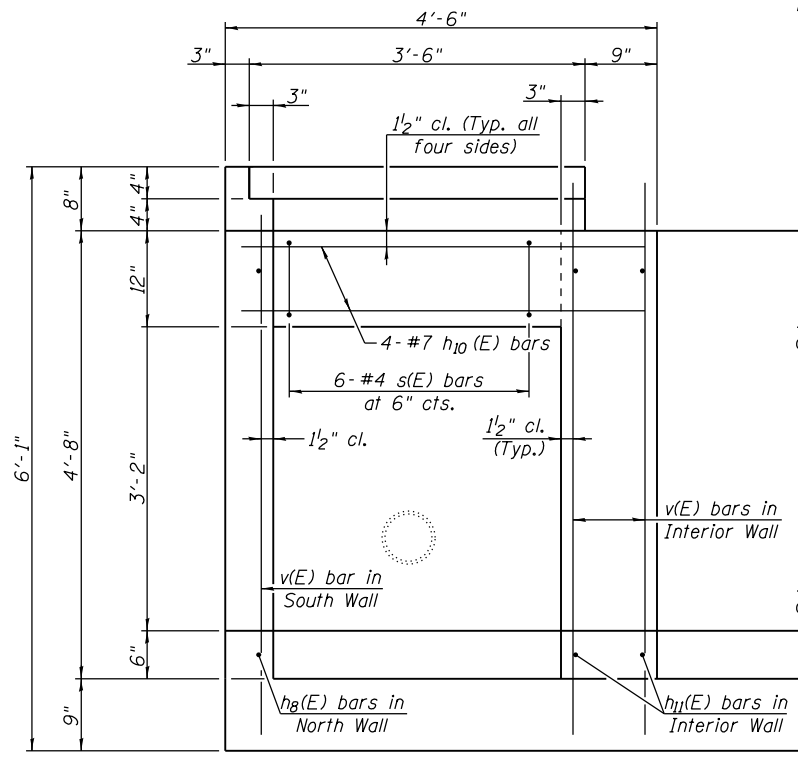


SECTION E-E
(Showing Wall Reinforcement Only)

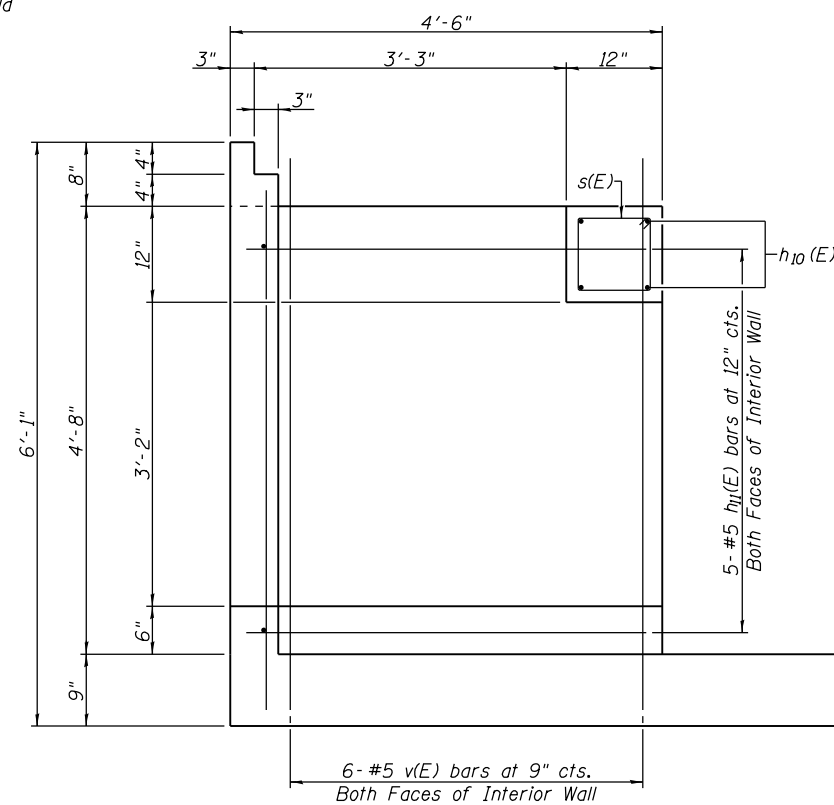


SECTION F-F
(Showing Wall Reinforcement Only)

Note: Cut reinforcement in field as required to fit.



VIEW G-G
(Showing Wall Reinforcement Only)



VIEW H-H
(Showing Wall Reinforcement Only)

*BAR LIST

Bar	No.	Size	Length	Shape
a	8	#7	6'-2"	┌──┐
a ₁	22	#7	10'-1"	┌──┐
a ₂	26	#7	9'-0"	┌──┐
a ₃	8	#7	5'-1"	┌──┐
h	5	#4	4'-6"	──
h ₁	12	#4	8'-5"	──
h ₂	14	#4	7'-4"	──
h ₃	5	#4	3'-5"	──
h ₄	14	#5	6'-1"	┌──┐
h ₅	4	#5	1'-3"	──
h ₆	4	#7	8'-3"	──
h ₇	4	#5	2'-7"	──
h ₈	16	#5	7'-5"	┌──┐
h ₉	7	#5	8'-3"	──
h ₁₀	4	#7	4'-3"	──
h ₁₁	10	#5	4'-3"	──
s	6	#4	4'-9"	┌──┐
v	57	#5	5'-9"	──
v ₁	10	#5	1'-9"	──

* For estimating purposes only. Actual number and length to be determined after field verification of existing dimensions.