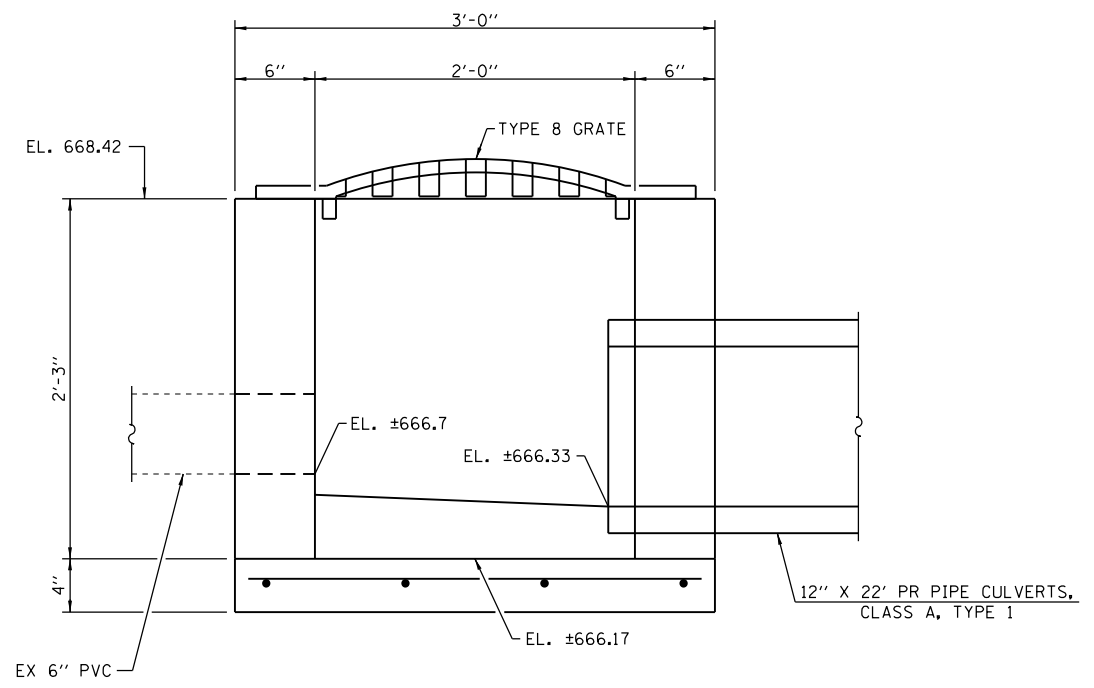


ELEVATION - TYPE A INLET
STA. 364+27, 18' LT



ELEVATION - TYPE A INLET (SPECIAL)
STA. 363+80, 20.5' LT

FILE NAME =	USER NAME = sparksgw	DESIGNED -	REVISED -
c:\pwork\pwork\dot\sparksgw\10365122\0672064-sht-details final.dgn		DRAWN -	REVISED -
PLOT SCALE = 12.0000' / in.		CHECKED -	REVISED -
PLOT DATE = Dec-13-2013 09:21:55AM		DATE -	REVISED -



Allen Henderson & Associates, Inc.
Civil and Structural Engineers Springfield, IL
62703 Phone: (217)544-8033 IL Design Firm
No. 184-001907

PLAN SHEET IL 111			
SCALE:	SHEET NO. 10F 1 SHEETS	STA.	TO STA.

F.A. RTE.	SECTION	COUNTY	TOTAL SHEETS	SHEET NO.
VAR	D6 DE MISC 2014	*	22	8
CONTRACT NO. 72664				
FED. ROAD DIST. NO. ILLINOIS FED. AID PROJECT				

MACOUPIN/MENARD