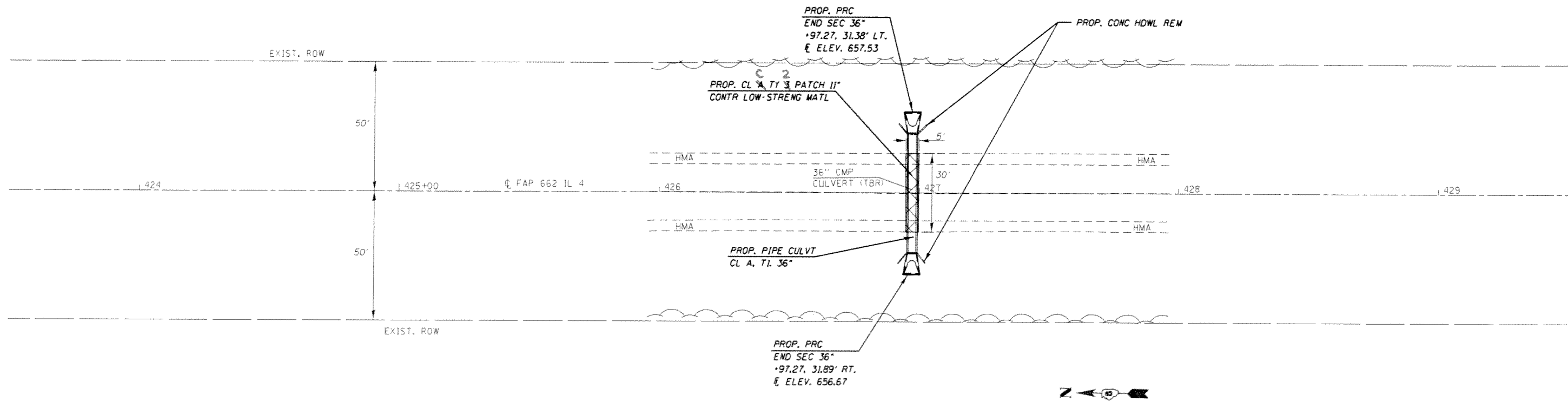


BM 255: SET CHISELED SQUARE IN
 CENTER OF EAST HEADWALL OF 36" CMP
 CULVERT LOCATED AT STA 426+97;22.8 LT
 NAVD 88 ELEV = 661.19 FT (GPS DERIVED)

+92.27

 +02.27



FILE NAME =	USER NAME = coxjr	DESIGNED -	REVISED -
c:\pwork\pwork\coxjr\08365122\067206	shk-planil4.dgn	DRAWN -	REVISED -
Default	PLOT SCALE = 40.0000 / in.	CHECKED -	REVISED -
	PLOT DATE = Jan-07-2014 10:00:41AM	DATE -	REVISED -

STATE OF ILLINOIS
 DEPARTMENT OF TRANSPORTATION

PLAN SHEET IL 4

SCALE: SHEET 1 OF 1 SHEETS STA. 423+50.00 TO STA. 429+50.00

F.A. RTE.	SECTION	COUNTY	TOTAL SHEETS	SHEET NO.
VAR	D6 DE MISC 2014	*	22	T
ILLINOIS FED. AID PROJECT			CONTRACT NO. 72G64	