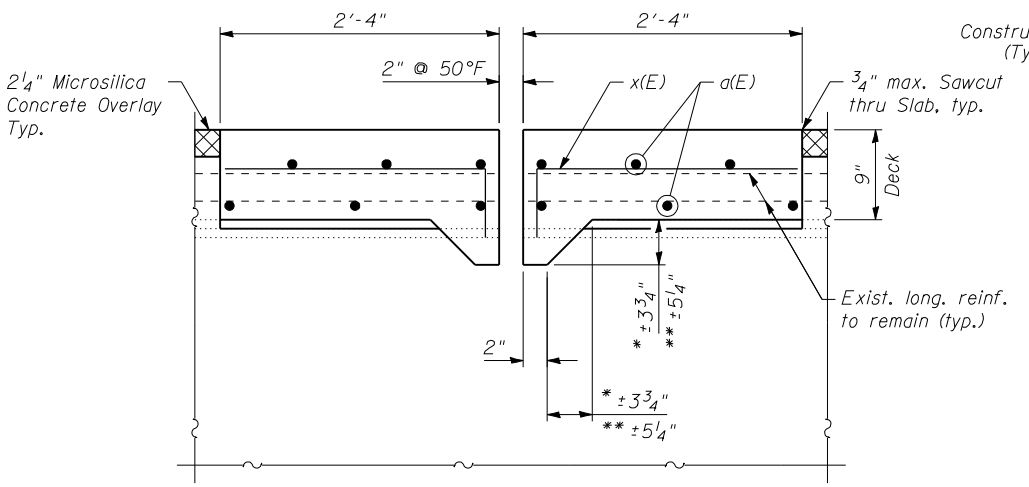
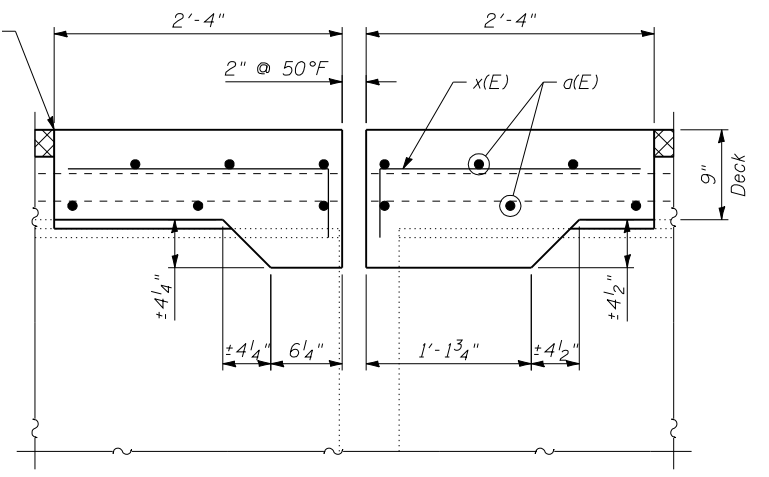


PLAN AT JOINTS

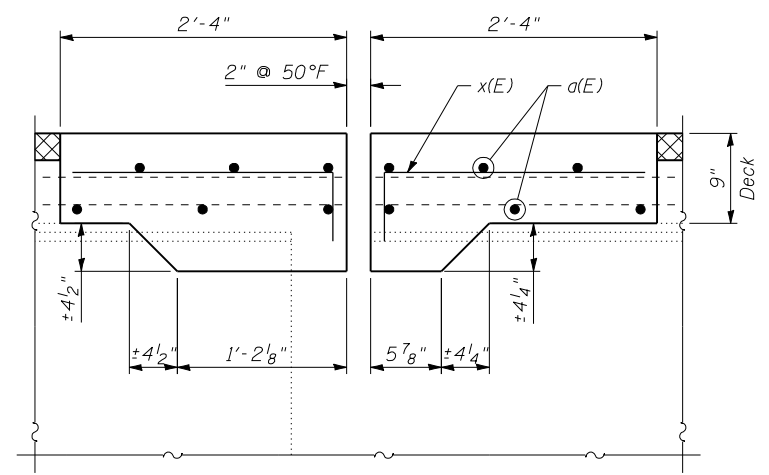


SECTION THRU JOINT BENTS 1 & 2

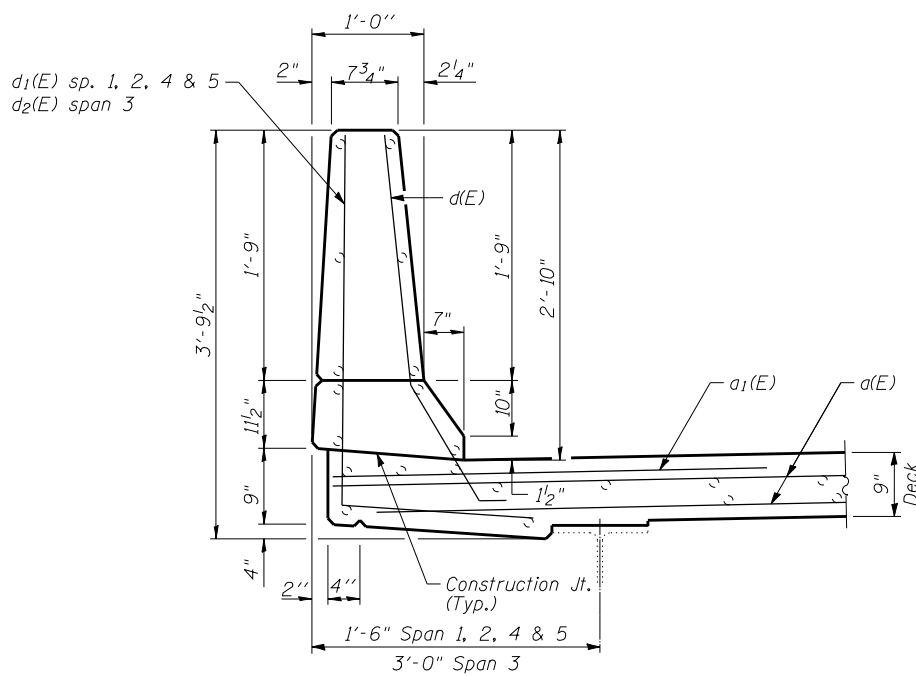
\* Beams 2 thru 7  
\*\* Beams 1 & 8



SECTION THRU JOINT PIER 1

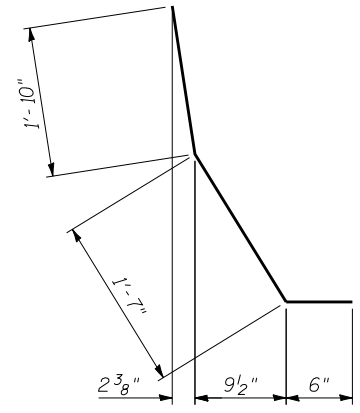


SECTION THRU JOINT PIER 2

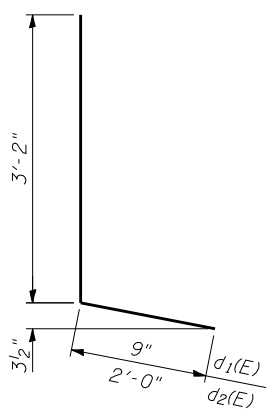


PARAPET SECTION A-A

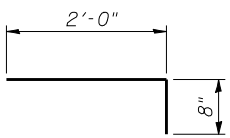
(Typ. all joints)



BAR d(E)



BARS d1(E) & d2(E)



BAR x(E)

BILL OF MATERIAL

Bar	No.	Size	Length	Shape
d(E)	96	#5	15'-8"	—
a1(E)	32	#6	4'-0"	—
d(E)	48	#5	3'-11"	J
d1(E)	36	#4	3'-11"	J
d2(E)	12	#4	5'-2"	J
x(E)	246	#5	2'-8"	—
Reinforcement Bars, Epoxy Coated			Pound	2780
Concrete Superstructure			Cu. Yd.	22.7

Note:  
New diaphragms shall be in place at Bents and Piers before forming and pouring the concrete at joints.

FILE NAME = 72082-006-superstructure-detail.dgn  
CB PROJECT NO. 07084-3

**Coombe-Bloxdorf P.C.**  
CIVIL ENGINEERS-  
STRUCTURAL ENGINEERS-  
LAND SURVEYORS  
Design Firm License No. 184-002703

USER NAME = .CFC.	DESIGNED - GJB	REVISED -
PLOT SCALE = 1/4.000000 ' / IN.	CHECKED - MCB	REVISED -
PLOT DATE = 1/8/2014	DRAWN - CFC	REVISED -
	CHECKED - MCB/CME	REVISED -

**STATE OF ILLINOIS**  
**DEPARTMENT OF TRANSPORTATION**

**SUPERSTRUCTURE DETAILS**  
**STRUCTURE NO. 054-0009**

SHEET NO. 6 OF 13 SHEETS

F.A.P. RTE.	SECTION	COUNTY	TOTAL SHEETS	SHEET NO.
717	(102B-1, 102CR, 102BR-2RS-5)	LOGAN	218	83
CONTRACT NO. 72B82				

ILLINOIS FED. AID PROJECT