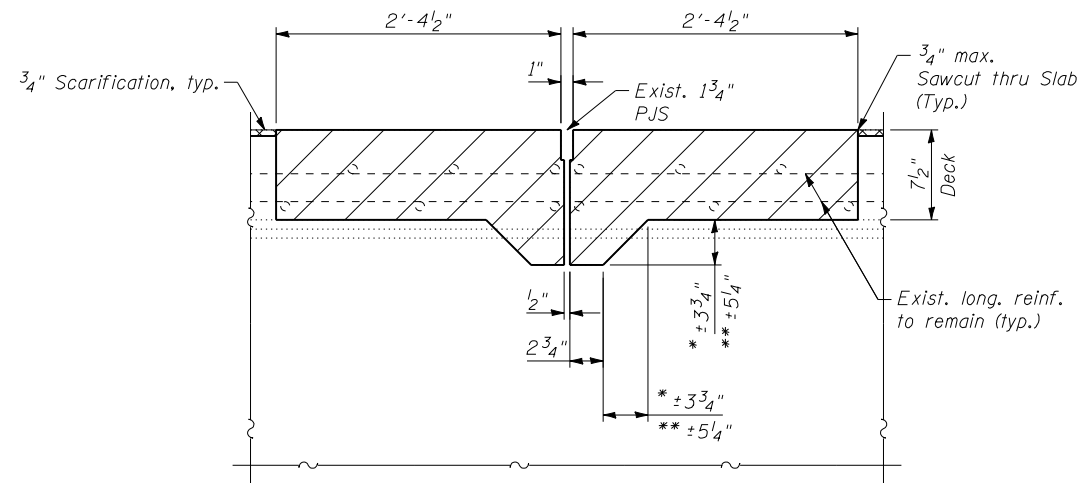
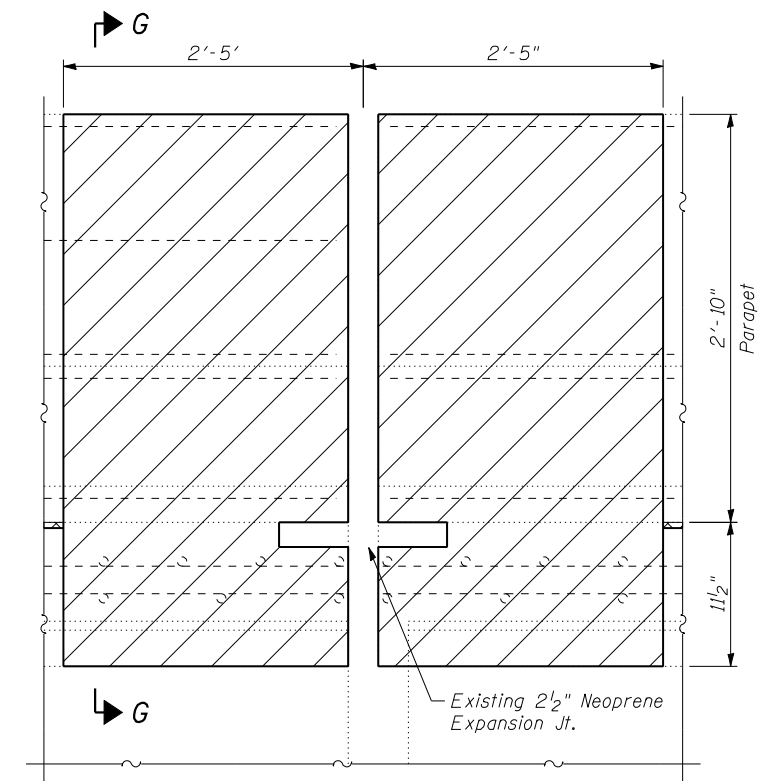


**SECTION A-A**  
(Typ. at Bents 1 & 2)



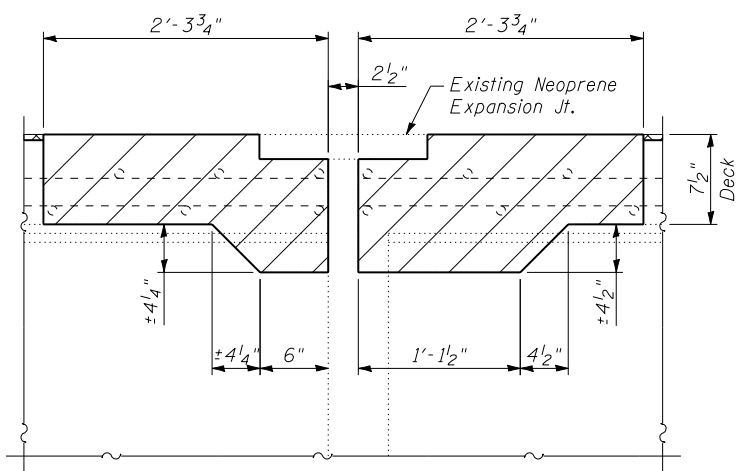
**SECTION B-B**  
(Typ. at Bents 1 & 2)

\* Beams 2 thru 7  
\*\* Beams 1 & 8

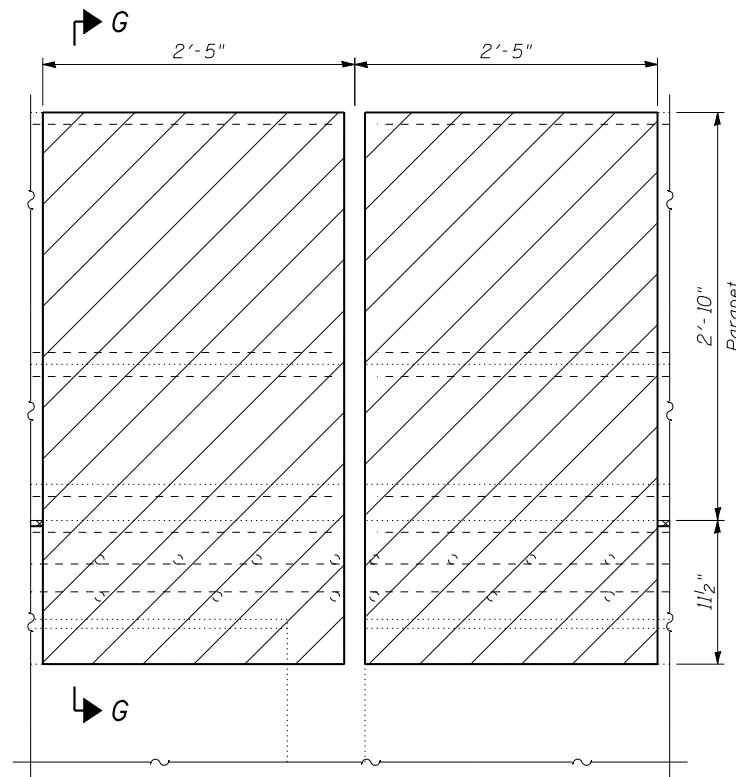


**SECTION C-C**  
(At Pier 1)

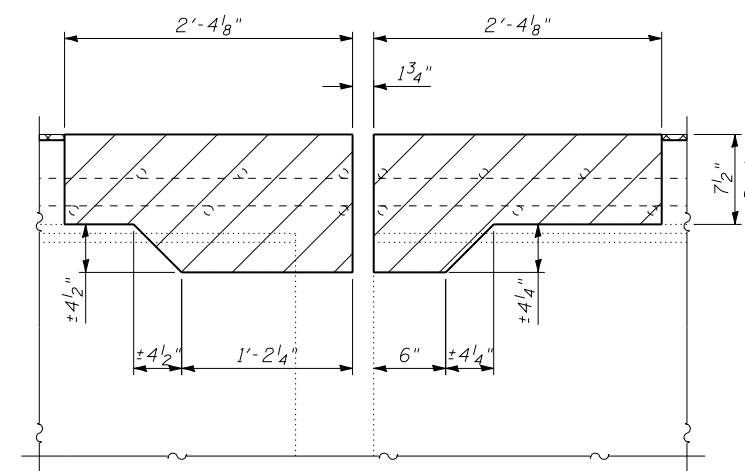
Notes:  
Hatched areas indicate Concrete Removal.  
Existing reinforcement bars extending into the removal area shall be cleaned, straightened and incorporated into the new construction.  
Any reinforcement bars to be reused that are damaged during concrete removal shall be replaced with an approved bar splicer or anchorage system. Cost included with Concrete Removal.  
Work to be coordinated with damaged beam repairs.



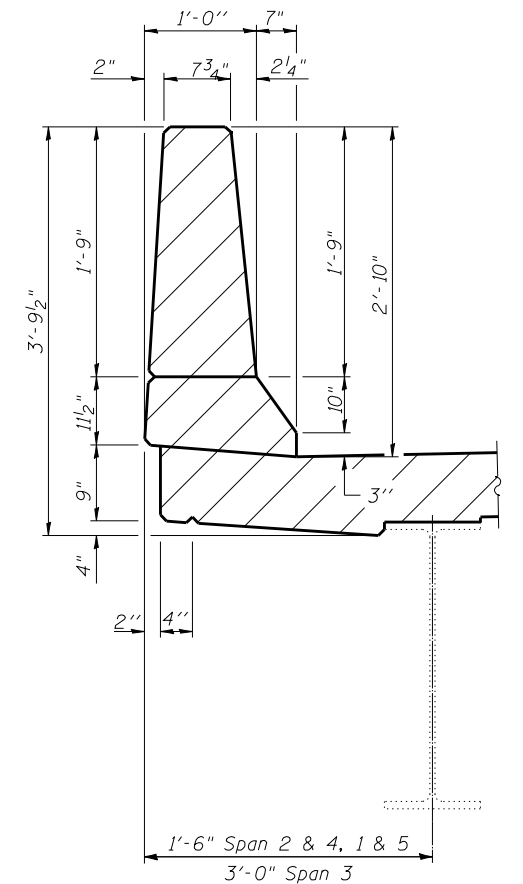
**SECTION D-D**  
(At Pier 1)



**SECTION E-E**  
(At Pier 2)



**SECTION F-F**  
(At Pier 2)



**PARAPET SECTION G-G**

FILE NAME = 72882-005-concrete-removal.dgn  
CB PROJECT NO. 07884-3

**Coombe-Bloxdorf P.C.**  
- CIVIL ENGINEERS -  
- STRUCTURAL ENGINEERS -  
- LAND SURVEYORS -  
Design Firm License No. 184-002703

USER NAME = .CFC.	DESIGNED - GJB	REVISED -
PLOT SCALE = 1:4,000,000 ' / IN.	CHECKED - MCB	REVISED -
PLOT DATE = 1/8/2014	DRAWN - CFC	REVISED -
	CHECKED - MCB/CME	REVISED -

**STATE OF ILLINOIS**  
**DEPARTMENT OF TRANSPORTATION**

**CONCRETE REMOVAL DETAILS**  
**STRUCTURE NO. 054-0009**

SHEET NO. 5 OF 13 SHEETS

F.A.P. RTE.	SECTION	COUNTY	TOTAL SHEETS	SHEET NO.
717	(102B-1, 102CR, 102BR-2RS-5)	LOGAN	218	82
CONTRACT NO. 72882				
ILLINOIS FED. AID PROJECT				