

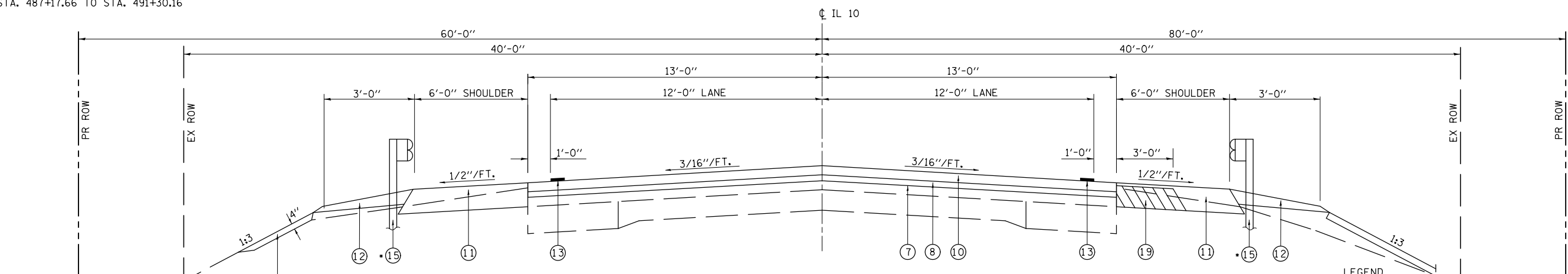
**PROPOSED TYPICAL CROSS SECTION**

STA. 484+00.00 TO STA. 486+00.00  
 STA. 491+50.00 TO STA. 497+16.76 LT  
 STA. 491+50.00 TO STA. 497+96.76 RT

**LEGEND**

- ⑦ PROP. HOT-MIX ASPHALT SURFACE REMOVAL (3/4")
- ⑧ PROP. LEVELING BINDER (MACHINE METHOD), N50 (3/4")
- ⑨ PROP. HOT-MIX ASPHALT BINDER COURSE, IL 19.0, N50 (VAR. DEPTH)
- ⑩ PROP. HOT-MIX ASPHALT SURFACE COURSE, MIX "C", N50 (1 1/2")
- ⑪ PROP. HOT-MIX ASPHALT SHOULDERS, 8"
- ⑫ PROP. AGGREGATE WEDGE SHOULDER, TYPE B
- ⑬ PROP. PAINT PAVEMENT MARKING - LINE 5"
- ⑭ PROP. HOT-MIX ASPHALT BINDER COURSE, IL 19.0, N50 (10")
- ⑮ PROP. STEEL PLATE BEAM GUARDRAIL, TYPE A, 6 FT POSTS
- ⑯ PROP. SUBBASE GRANULAR MATERIAL, TYPE A, 8"
- ⑰ PROP. AGGREGATE SHOULDERS, TYPE B
- ⑱ TOPSOIL FURNISH AND PLACEMENT, 4"

\*RT STA. 486+16.32 TO STA. 490+28.82  
 LT STA. 487+17.66 TO STA. 491+30.16



**PROPOSED TYPICAL CROSS SECTION**

STA. 486+00.00 TO STA. 491+50.00

**LEGEND**

- ⑦ PROP. HOT-MIX ASPHALT SURFACE REMOVAL (3/4")
- ⑧ PROP. LEVELING BINDER (MACHINE METHOD), N50 (3/4")
- ⑨ PROP. HOT-MIX ASPHALT BINDER COURSE, IL 19.0, N50 (VAR. DEPTH)
- ⑩ PROP. HOT-MIX ASPHALT SURFACE COURSE, MIX "C", N50 (1 1/2")
- ⑪ PROP. HOT-MIX ASPHALT SHOULDERS, 8"
- ⑫ PROP. AGGREGATE WEDGE SHOULDER, TYPE B
- ⑬ PROP. PAINT PAVEMENT MARKING - LINE 5"
- ⑭ PROP. HOT-MIX ASPHALT BINDER COURSE, IL 19.0, N50 (10")
- ⑮ PROP. STEEL PLATE BEAM GUARDRAIL, TYPE A, 6 FT POSTS
- ⑯ PROP. SUBBASE GRANULAR MATERIAL, TYPE A, 8"
- ⑰ PROP. AGGREGATE SHOULDERS, TYPE B
- ⑱ TOPSOIL FURNISH AND PLACEMENT, 4"
- ⑲ PROP. BASE COURSE WIDENING, 10" & PAVEMENT REMOVAL

FILE NAME =	USER NAME = *USER*	DESIGNED -	REVISED -	<b>STATE OF ILLINOIS DEPARTMENT OF TRANSPORTATION</b>	<b>TYPICAL SECTIONS - FAP 717 (IL RTE 10)</b>			F.A.P. RTE.	SECTION	COUNTY	TOTAL SHEETS	SHEET NO.
*FILEL*		DRAWN -	REVISED -		717	(102B-1,102CR,102BR-2)RS-5	LOGAN	218	15			
		CHECKED -	REVISED -		CONTRACT NO. 72B82							
		DATE -	REVISED -		SCALE:	SHEET NO. 2 OF 5 SHEETS	STA.	TO STA.	ILLINOIS FED. AID PROJECT			