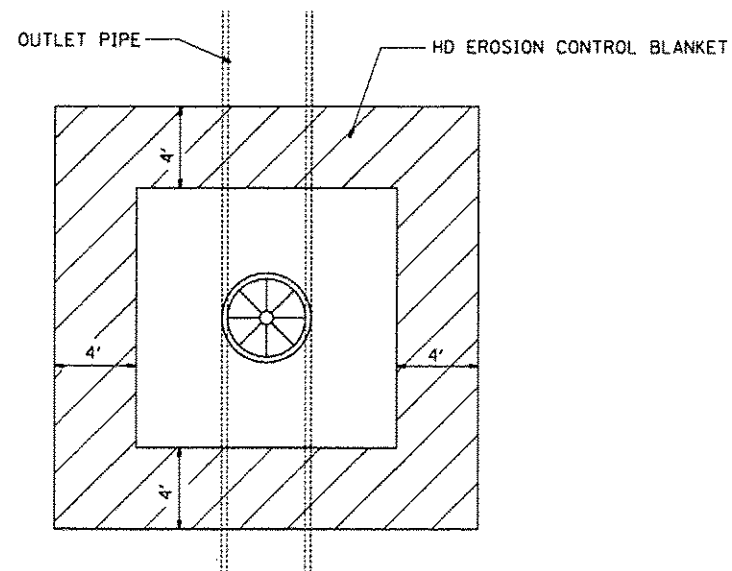
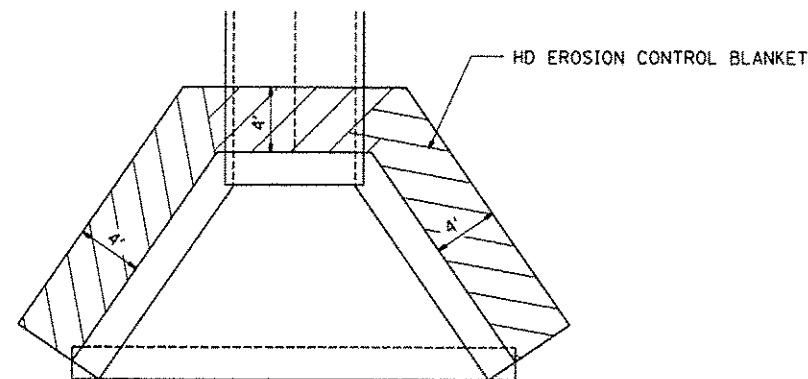


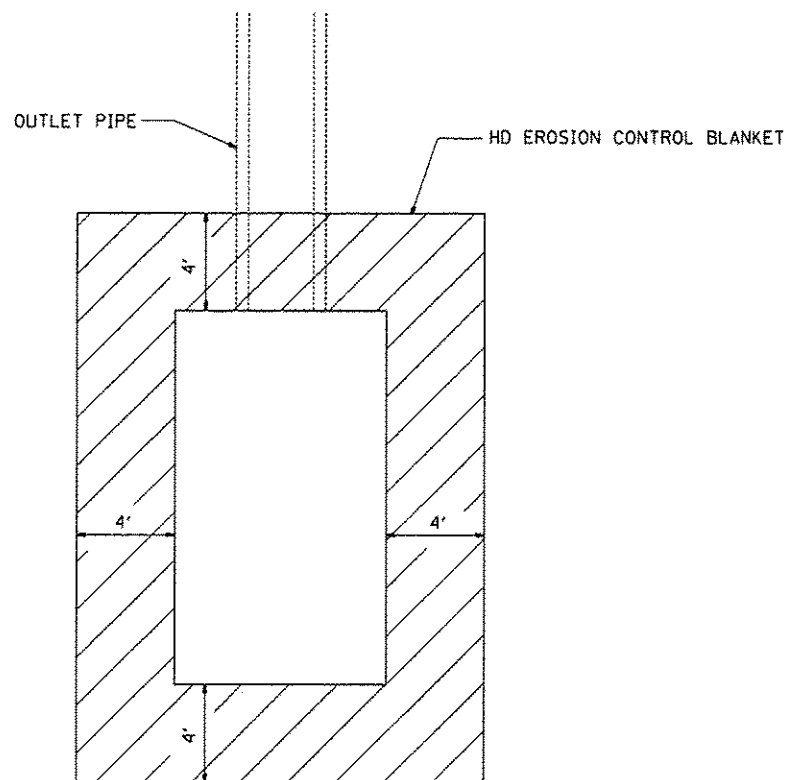
F.A.S. RTE.	SECTION	COUNTY	TOTAL SHEETS	SHEET NO.
1597	14 (W, RS-T)	ADAMS/PIKE	152	73
STA.		TO STA.		
FED. ROAD DIST. NO. 6 ILLINOIS FED. AID PROJECT				



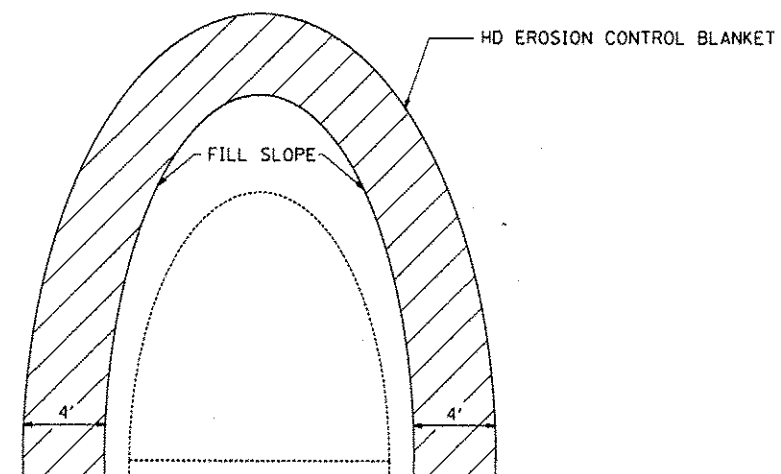
HD EROSION CONTROL BLANKET AROUND  
MANHOLE, TYPE A  
W/TYPE 1 FRAME, CLOSED LID



HD EROSION CONTROL BLANKET AROUND  
HEADWALLS & CULVERT WINGWALLS



HD EROSION CONTROL BLANKET AROUND  
HEADWALL FOR PIPE UNDERDRAIN  
STD 601101



HD EROSION CONTROL BLANKET AROUND  
FLARED END SECTION  
STD 542301

REVISIONS	
NAME	DATE

ILLINOIS DEPARTMENT OF TRANSPORTATION

**HEAVY DUTY EROSION CONTROL  
BLANKET DETAILS**

SCALE: VERT. \_\_\_\_\_  
HORIZ. \_\_\_\_\_

DATE \_\_\_\_\_ DRAWN BY \_\_\_\_\_  
CHECKED BY \_\_\_\_\_