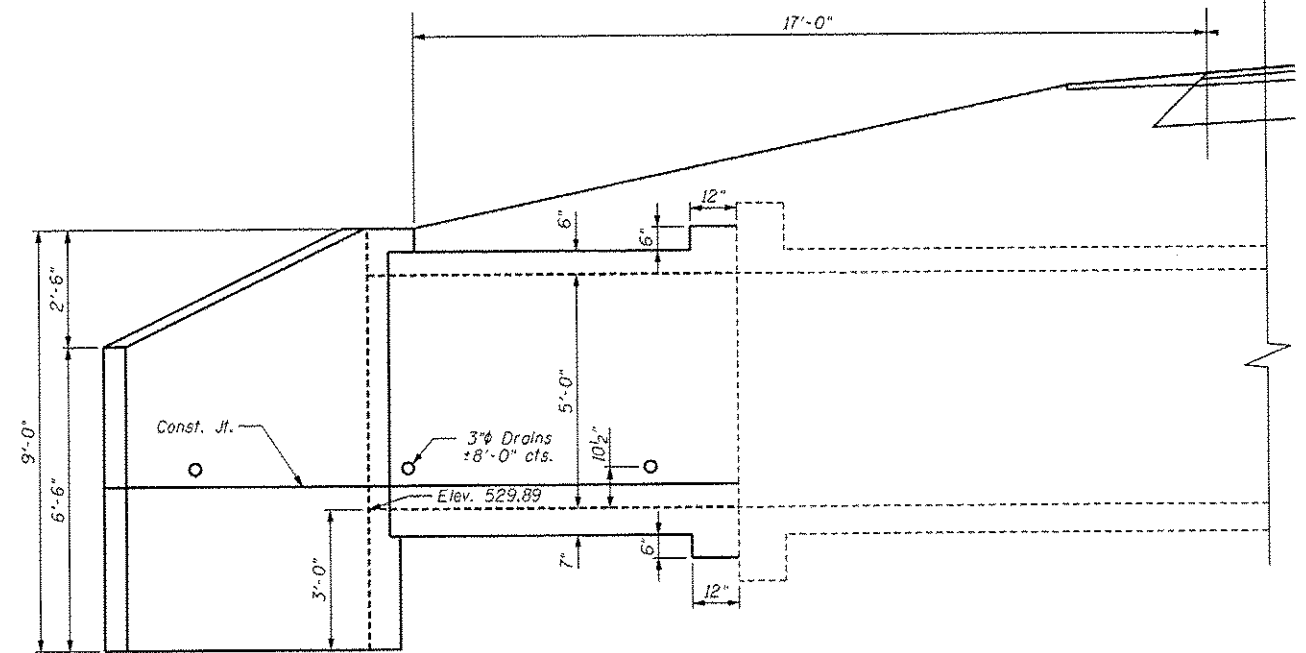
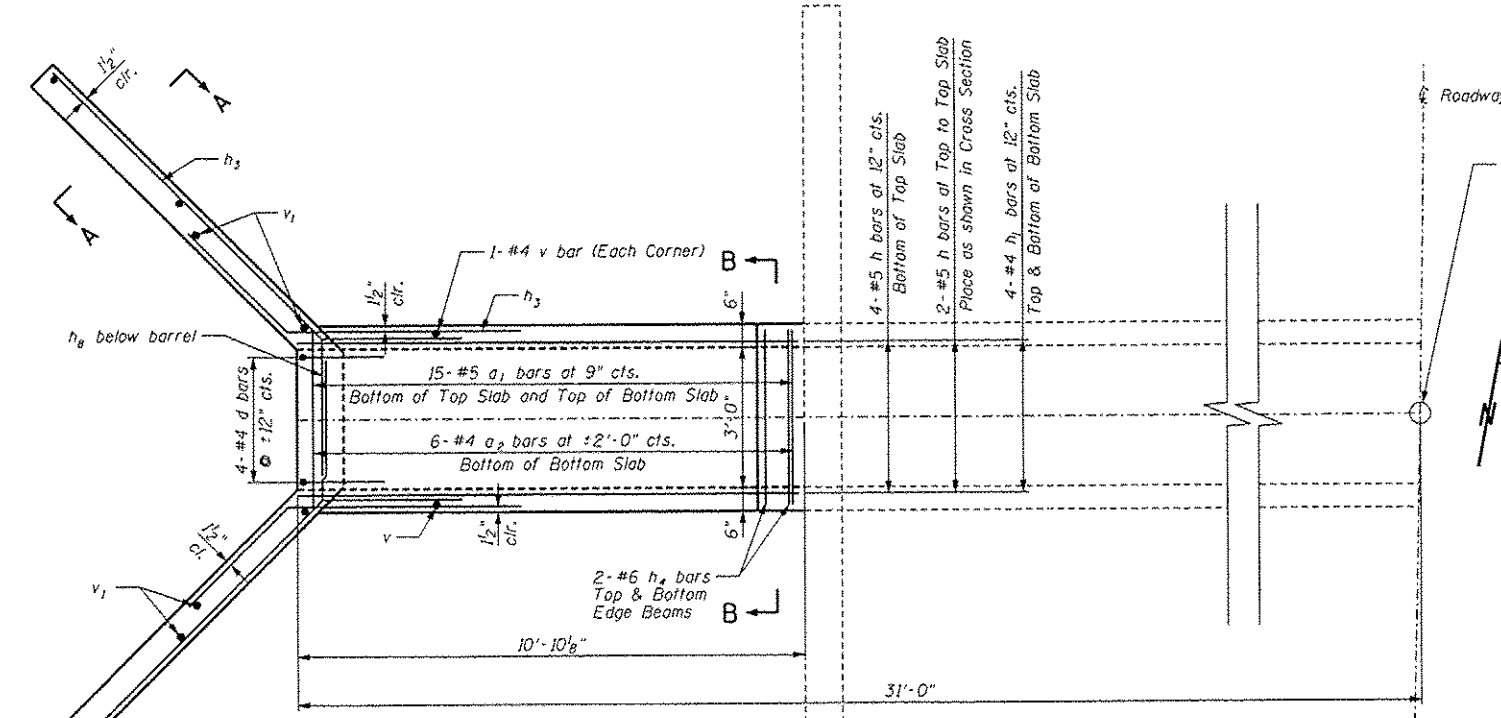


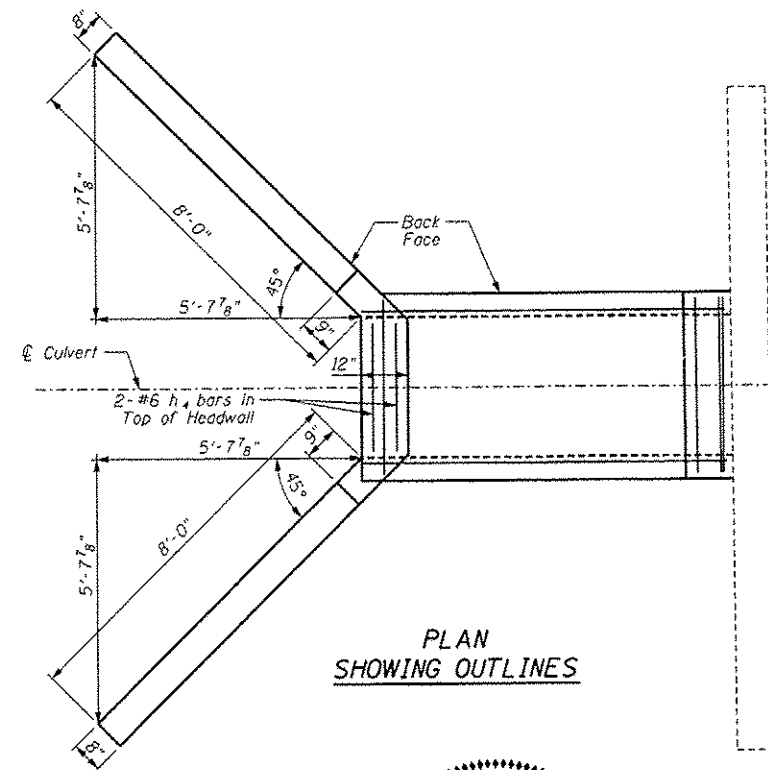
LONGITUDINAL SECTION
Dimensions at Right Angles to \bar{C} Roadway and at \bar{C} of culvert barrel.



ELEVATION
Dimensions at Right Angles to \bar{C} Roadway and at \bar{C} of culvert barrel.



PLAN SHOWING OUTLINES & REINFORCEMENT



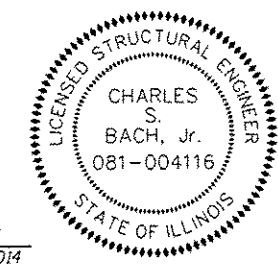
PLAN SHOWING OUTLINES

NOTES

A distance of half the length of the wingwall but not less than six feet of the barrel shall be poured monolithically with the wingwalls.
Reinforcement Bars shall conform to the requirements of ASTM A-706, Grade 60, See Special Provisions.
Precast culvert option is not allowed.
All excavation required for construction of the culvert in accordance with the standard specifications shall be included in the cost of Concrete Box Culverts.
Areas of excavation required for removal of existing structure or construction of the new culvert shall be backfilled with Granular Culvert Backfill up to the top of slab elevation. See Special Detail sheet.
All construction joints shall be bonded.

TO THE BEST OF MY KNOWLEDGE, INFORMATION AND BELIEF, THIS CULVERT DESIGN IS STRUCTURALLY ADEQUATE FOR THE DESIGN LOADING SHOWN ON THE PLANS. THE DESIGN IS AN ECONOMICAL ONE FOR THE STYLE OF STRUCTURE AND COMPLIES WITH THE REQUIREMENTS OF THE CURRENT "AASHTO STANDARD SPECIFICATIONS FOR HIGHWAY BRIDGES."

Charles S. Bach, Jr.
STRUCTURAL ENGINEER
PSBA
8-16-2013
EXPIRES: 11/30/2014



LOADING HL-93

Allow 50#/sq. ft. for future wearing surface.

DESIGN SPECIFICATIONS

2012 AASHTO LRFD
BRIDGE DESIGN SPECIFICATIONS 6th EDITION

DESIGN STRESSES

FIELD UNITS
 $f'_c = 3,500$ psi
 $f_y = 60,000$ psi

FILE NAME = culvert1345+7189 CIP-WEST-EXT.dgn	USER NAME = natal	DESIGNED - TCD	REVISED -	STATE OF ILLINOIS DEPARTMENT OF TRANSPORTATION	CULVERT DETAILS		F.A.S. RTE. 1597	SECTION 14 (W, RS-7)	COUNTY ADAMS/PIKE	TOTAL SHEETS 152	SHEET NO. 55	
	PLOT SCALE = 4:1, 1369' 1" / in.	DRAWN - PSBA	REVISED -		SCALE: NTS	SHEET 1 OF 2 SHEETS	STA. TO STA.	[ILLINOIS] FED. AID PROJECT				
	PLOT DATE = 9/16/2013	CHECKED - CSB	REVISED -									
		DATE - 07/2013	REVISED -									