

LOCATION MAP #5

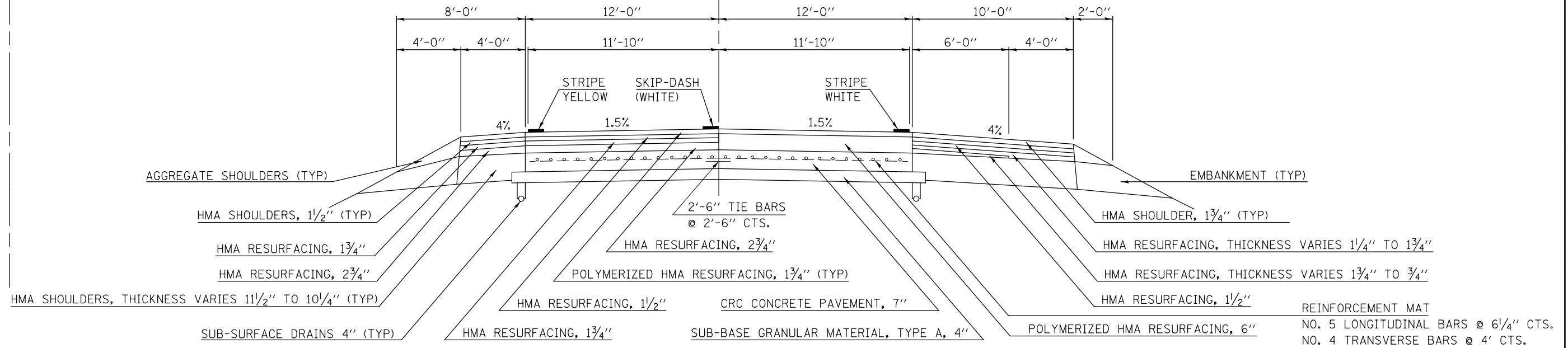
EXISTING TYPICAL SECTION ⑦

F.A.I. 57

NORTHBOUND LANES

STATION TO STATION
 ⑥ 623+36.00 637+50.00

☉ F.A.I. 57



LOCATION MAP #5

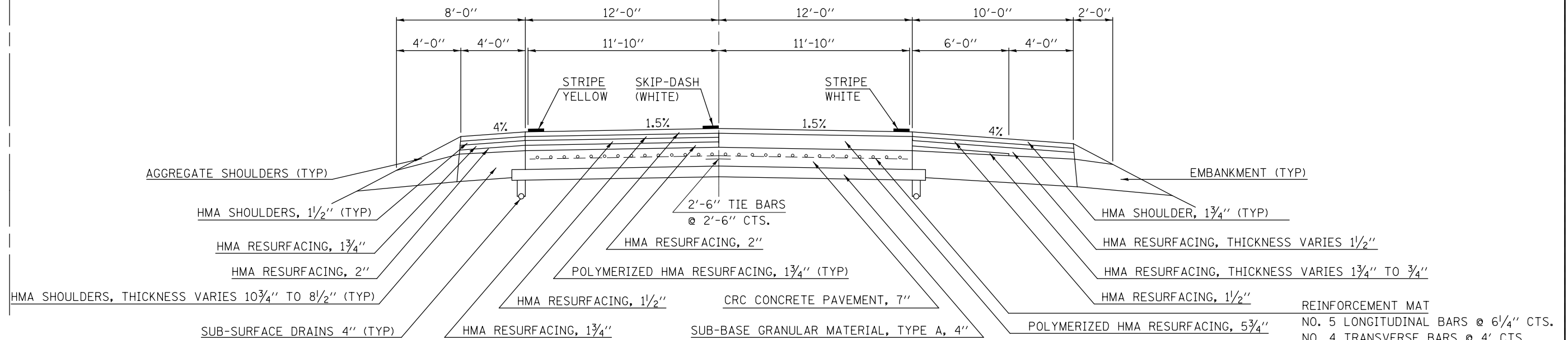
EXISTING TYPICAL SECTION ⑧

F.A.I. 57

SOUTHBOUND LANES

STATION TO STATION
 ⑥ 623+36.00 637+50.00

☉ F.A.I. 57



FILE NAME =	USER NAME = leroyma	DESIGNED -	REVISED -	STATE OF ILLINOIS DEPARTMENT OF TRANSPORTATION	TYPICAL CROSS SECTIONS			F.A.I. RTE.	SECTION	COUNTY	TOTAL SHEETS	SHEET NO.
et:\pwork\pwork\leryoma\0365293\0570438-sht-typicals.dgn	PLOT SCALE = 40.0000' / in.	DRAWN -	REVISED -					74&57	D5 PATCHING 2014-2	VARIOUS	29	21
*MODELNAME#	PLOT DATE = 12/4/2013	CHECKED -	REVISED -		SCALE: SHEET 4 OF 12 SHEETS STA. TO STA.			CONTRACT NO. 70A38				
		DATE -	REVISED -		ILLINOIS FED. AID PROJECT							