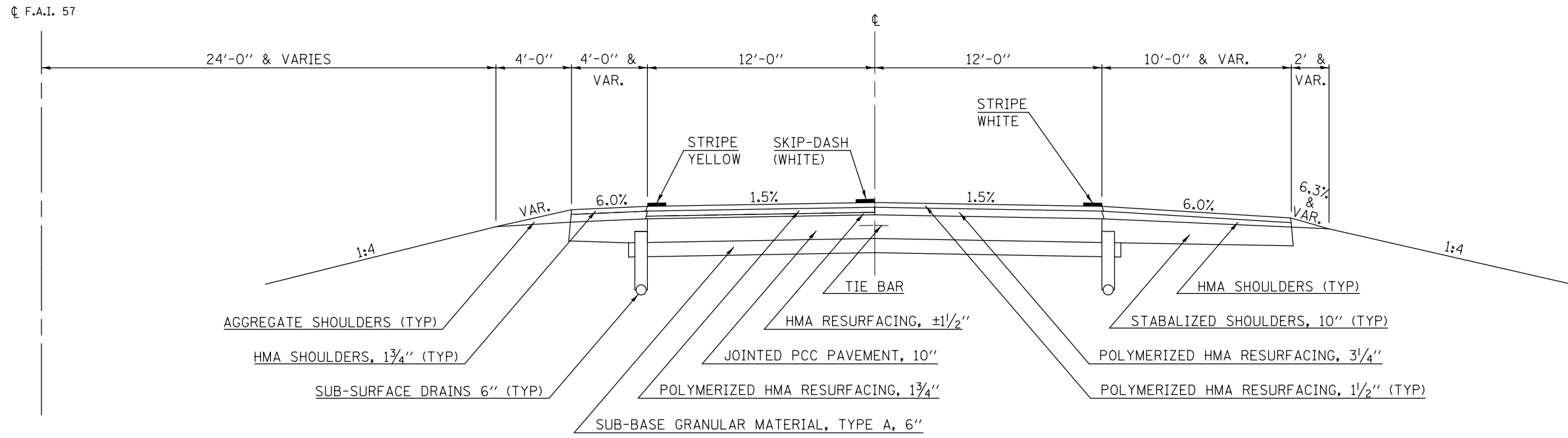


LOCATION MAP #5

EXISTING TYPICAL SECTION ③ F.A.I. 57

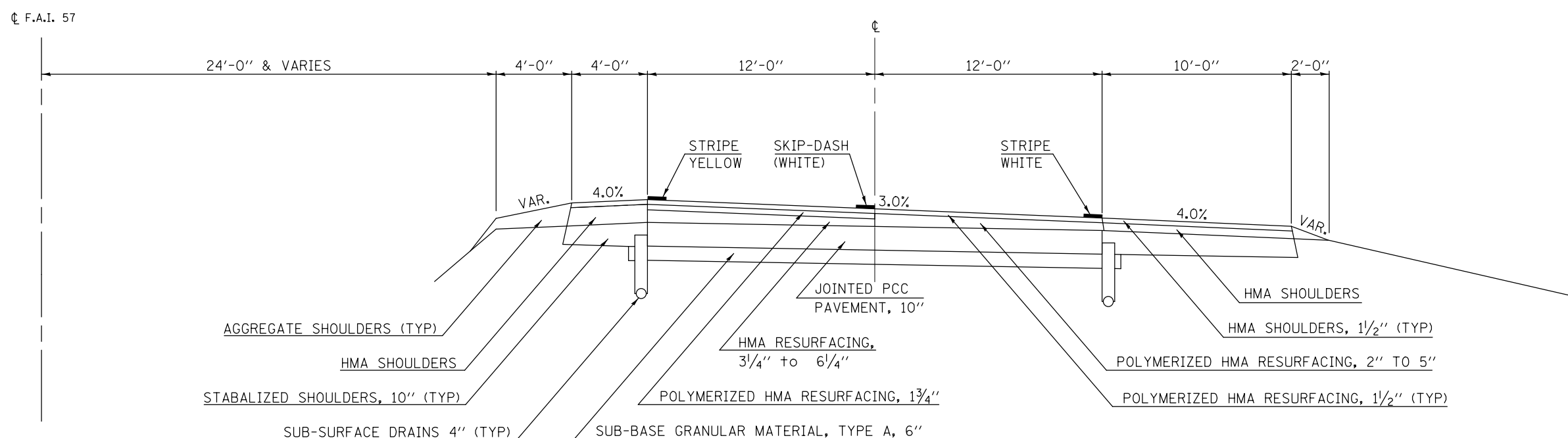
STATION	IO	STATION
① 401+15.77		④ 492+69.23
④ 522+00.92		⑤ 545+00.00



LOCATION MAP #5

EXISTING TYPICAL SECTION ④ F.A.I. 57

STATION	IO	STATION
③ 492+69.23		⑤ 522+00.92



FILE NAME =	USER NAME = leroyma	DESIGNED -	REVISED -	STATE OF ILLINOIS DEPARTMENT OF TRANSPORTATION	TYPICAL CROSS SECTIONS			F.A.I. RTE.	SECTION	COUNTY	TOTAL SHEETS	SHEET NO.		
ct:\pwork\pwork\leryoma\d0365293\0570438-sht-typcals.dgn		DRAWN -	REVISED -		SCALE:	SHEET 2	OF 12 SHEETS	STA.	TO STA.	74&57	D5 PATCHING 2014-2	VARIOUS	29	19
		CHECKED -	REVISED -		CONTRACT NO. 70A38									
#MODELNAME#	PLOT DATE = 12/4/2013	DATE -	REVISED -		ILLINOIS FED. AID PROJECT									