

LOCATION MAP #5

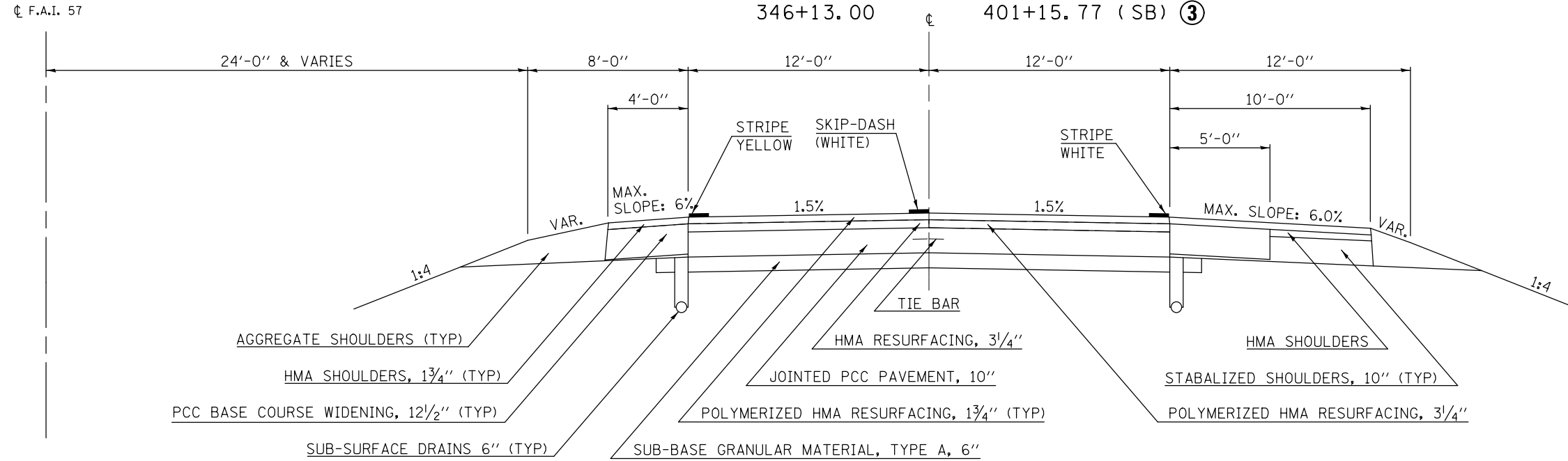
EXISTING TYPICAL SECTION

F.A.I. 57

STATION	TO	STATION
350+00.00		526+64.06 (NB & SB)
83+43.47		401+15.77 (NB) ③
83+43.47		135+00.00 (SB) ②
346+13.00		401+15.77 (SB) ③

STATION EQUATIONS:

STA 526+64.06 (BK) = STA 83+43.47 (AH)
 STA 373+56.20 (BK) = STA 373+51.69 (AH)

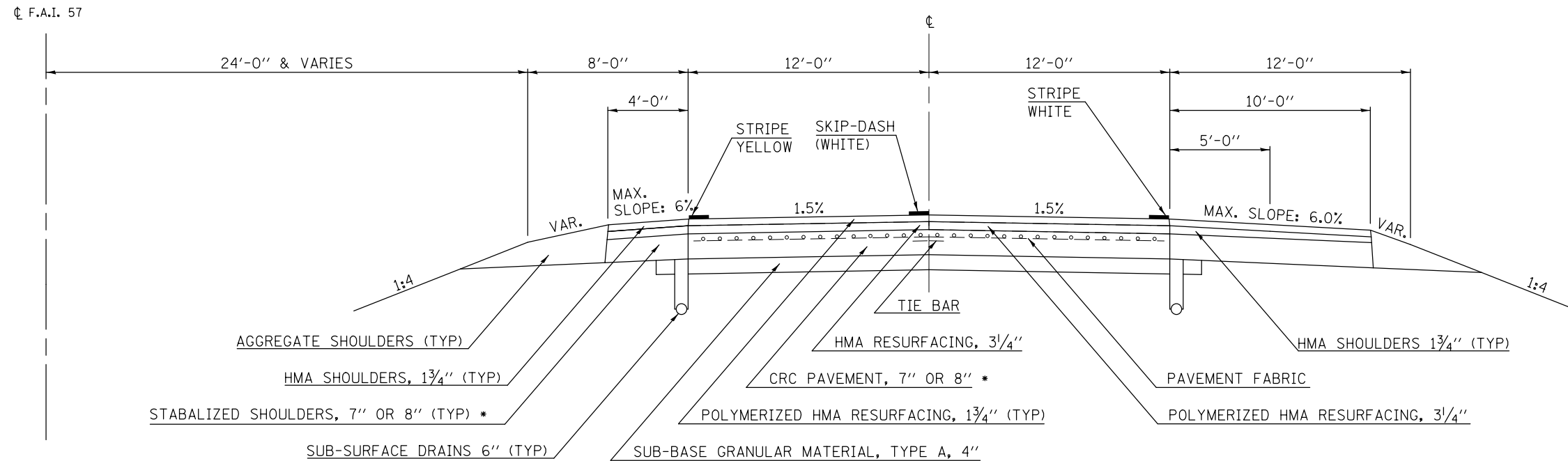


LOCATION MAP #5

EXISTING TYPICAL SECTION

F.A.I. 57

STATION	TO	STATION
① 135+00.00		346+13.00 (SB) ①



* STA. 135+00.00 TO STA. 241+00.00 - 7"
 STA. 241+00.00 TO STA. 346+13.00 - 8"

FILE NAME =	USER NAME = leroyma	DESIGNED -	REVISED -
et:\pwork\pwork\leryoma\d0365293\0570038-sht-typicals.dgn		DRAWN -	REVISED -
	PLOT SCALE = 40.0000' / in.	CHECKED -	REVISED -
MODELNAME	PLOT DATE = 12/4/2013	DATE -	REVISED -

STATE OF ILLINOIS
 DEPARTMENT OF TRANSPORTATION

TYPICAL CROSS SECTIONS

SCALE: SHEET 1 OF 12 SHEETS STA. TO STA.

F.A.I. RTE.	SECTION	COUNTY	TOTAL SHEETS	SHEET NO.
74&57	D5 PATCHING 2014-2	VARIOUS	29	18
CONTRACT NO. 70A38				
ILLINOIS FED. AID PROJECT				