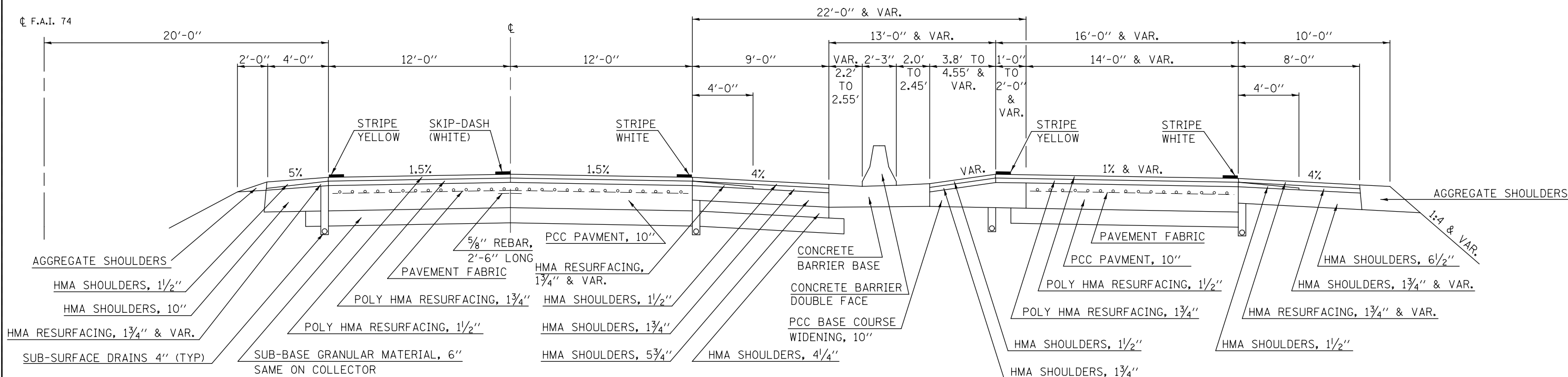


LOCATION #4

# EXISTING TYPICAL SECTION 12

F.A.I. 74

STATION 10 STATION  
 11 1908+00.00 1951+50.00 13

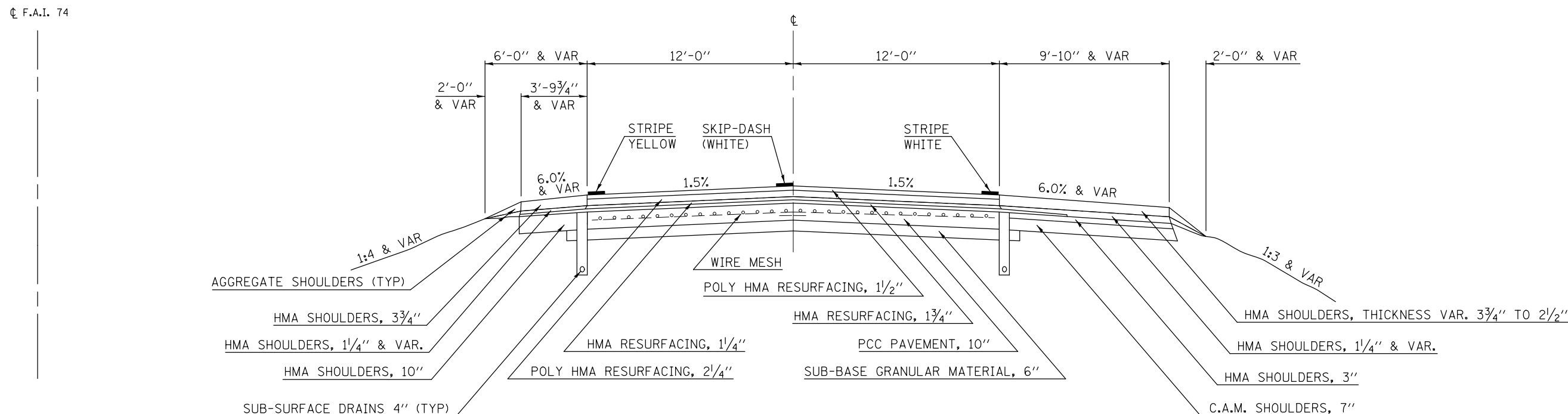


LOCATION #4

# EXISTING TYPICAL SECTION 13

F.A.I. 74

STATION 10 STATION  
 12 1951+50.00 2020+00.00 14



FILE NAME =	USER NAME = leroyma	DESIGNED -	REVISED -	<b>STATE OF ILLINOIS DEPARTMENT OF TRANSPORTATION</b>	<b>TYPICAL CROSS SECTIONS</b>			F.A.I. RTÉ.	SECTION	COUNTY	TOTAL SHEETS	SHEET NO.
ei:\pwork\pwork\lroyma\0365293\0570038-sht-typicals.dgn		DRAWN -	REVISED -					74&57	D5 PATCHING 2014-2	VARIOUS	29	16
PLOT SCALE = 40.0000' / in.		CHECKED -	REVISED -		SCALE: SHEET 11 OF 12 SHEETS STA. TO STA.			CONTRACT NO. 70A38				
*MODELNAME#		DATE -	REVISED -		ILLINOIS FED. AID PROJECT							