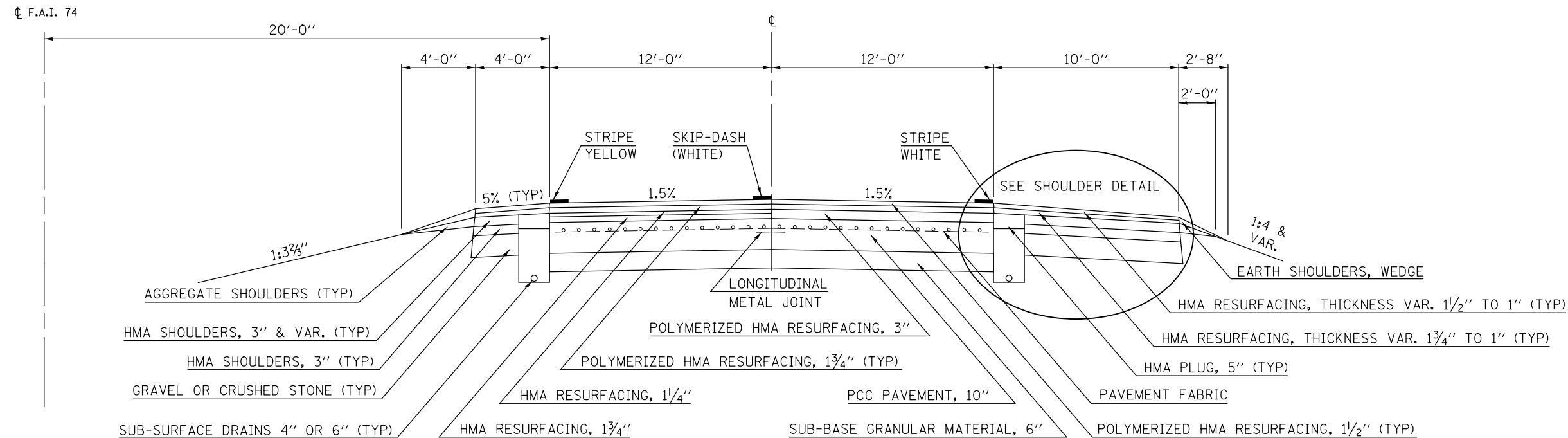


LOCATION MAP #4

EXISTING TYPICAL SECTION 10

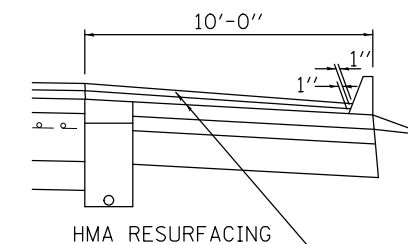
F.A.I. 74

STATION TO STATION
 ⑨ 1616+00.00 1720+00.00 ⑩



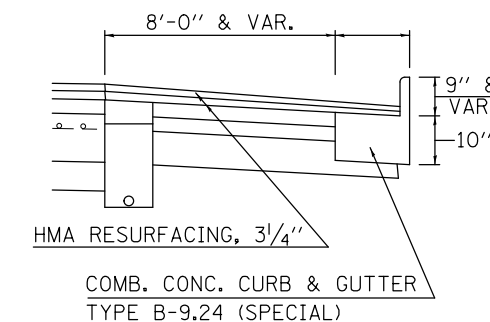
SHOULDER DETAIL

LT. 1618+87.00 TO LT. 1627+88.22
 RT. 1624+65.29 TO RT. 1627+88.22



SHOULDER DETAIL

LT. 1631.89.30 TO LT. 1647+92.36 (WB)
 RT. 1631+89.63 TO RT. 1647+36.45 (EB)

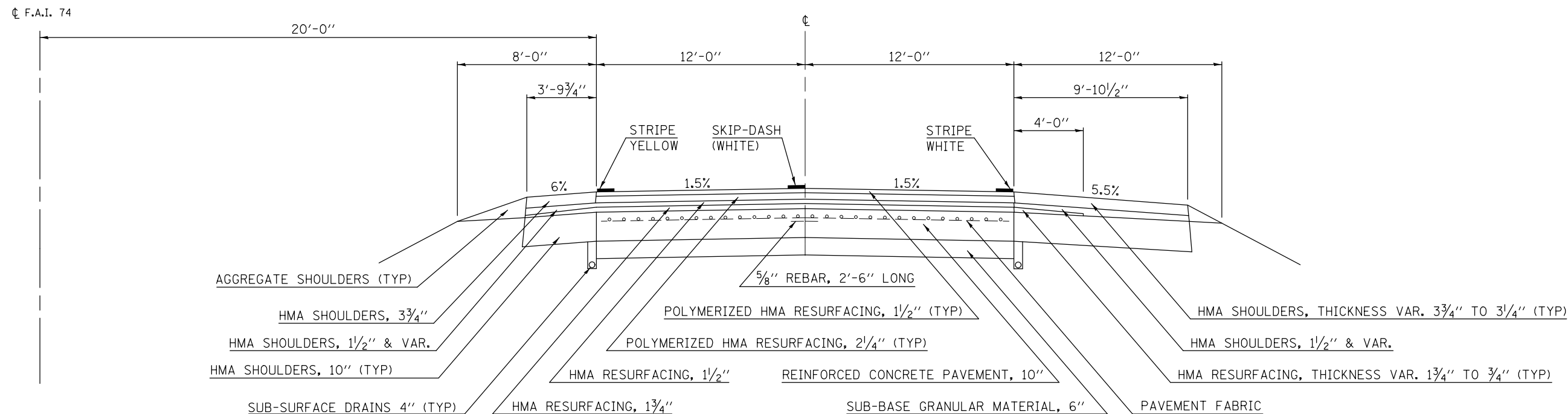


LOCATION MAP #4

EXISTING TYPICAL SECTION 11

F.A.I. 74

STATION TO STATION
 ⑩ 1720+00.00 1908+00.00 ⑫



| | | | | | | | | | | | | |
|--|-----------------------------|------------|-----------|---|---|--|--|---------------------------|--------------------|---------|--------------|-----------|
| FILE NAME = | USER NAME = leroyma | DESIGNED - | REVISED - | STATE OF ILLINOIS DEPARTMENT OF TRANSPORTATION | TYPICAL CROSS SECTIONS | | | F.A.I. RTE. | SECTION | COUNTY | TOTAL SHEETS | SHEET NO. |
| ei:\pw\work\p\dot\l\eroyma\d0365293\0570438-sht-typicals.dgn | PLOT SCALE = 40.0000' / in. | DRAWN - | REVISED - | | | | | 74&57 | D5 PATCHING 2014-2 | VARIOUS | 29 | 15 |
| *MODELNAME# | PLOT DATE = 12/4/2013 | CHECKED - | REVISED - | | SCALE: SHEET 10 OF 12 SHEETS STA. TO STA. | | | CONTRACT NO. 70A38 | | | | |
| | | DATE - | REVISED - | | | | | ILLINOIS FED. AID PROJECT | | | | |