

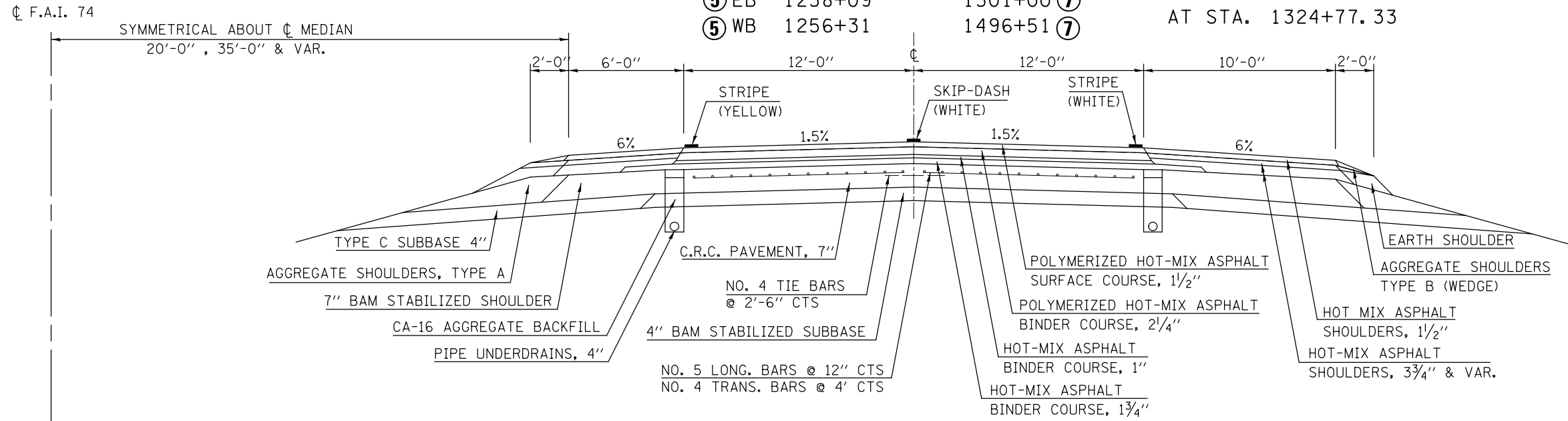
LOCATION MAPS #2 & #3
PIATT & CHAMPAIGN CO.

EXISTING TYPICAL SECTION ⑥

F.A.I. 74

	STATION	TO	STATION
⑤ EB	1258+09		1501+00 ⑦
⑤ WB	1256+31		1496+51 ⑦

PIATT & CHAMPAIGN CO. LINE
AT STA. 1324+77.33



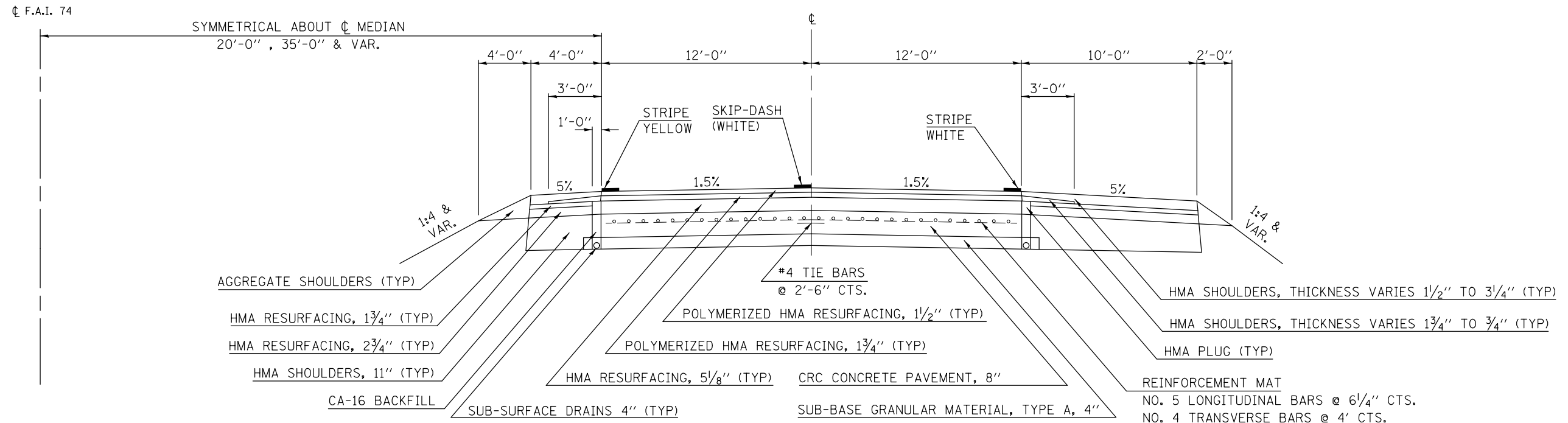
LOCATION MAP #3
PIATT & CHAMPAIGN CO.

EXISTING TYPICAL SECTION ⑦

F.A.I. 74

	STATION	TO	STATION
⑥ EB	1501+00.00		1870+95.89 *
⑥ WB	1496+51.00		1870+95.89 *

* BEGIN FULL DEPTH ASPHALT PAVEMENT,
NO PATCHES DESIGNATED IN THIS AREA



FILE NAME =	USER NAME = leroyma	DESIGNED -	REVISED -	STATE OF ILLINOIS DEPARTMENT OF TRANSPORTATION	TYPICAL CROSS SECTIONS			F.A.I. RTE.	SECTION	COUNTY	TOTAL SHEETS	SHEET NO.
ei:\pw\work\p\dot\leroyma\d0365293\0570438-sht-typicals.dgn	PLOT SCALE = 40.0000' / in.	DRAWN -	REVISED -					74&57	D5 PATCHING 2014-2	VARIOUS	29	13
MODELNAME	PLOT DATE = 12/4/2013	CHECKED -	REVISED -		SCALE: SHEET 8 OF 12 SHEETS STA. TO STA.			CONTRACT NO. 70A38				
		DATE -	REVISED -		ILLINOIS FED. AID PROJECT							