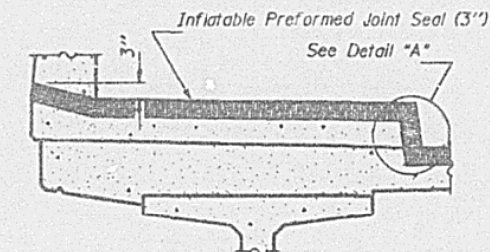
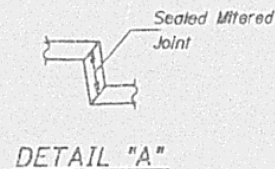
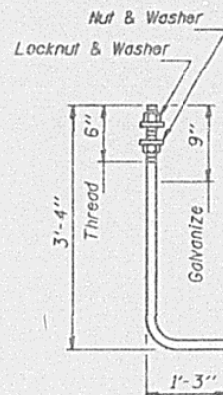


STATE OF ILLINOIS
DEPARTMENT OF TRANSPORTATION

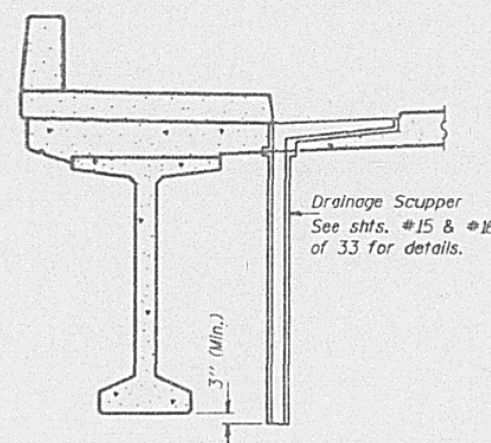
PROJECT NO.	SECTION	COUNTY	SHEET NO.	TOTAL SHEETS
F.A.P. 729	CH4Z-D BR	VERMILION	64	33



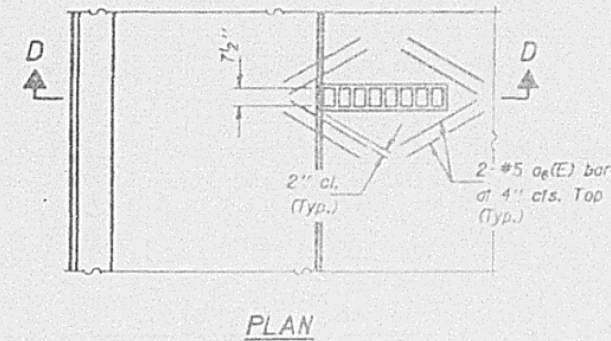
TYPICAL END OF SEAL TREATMENT



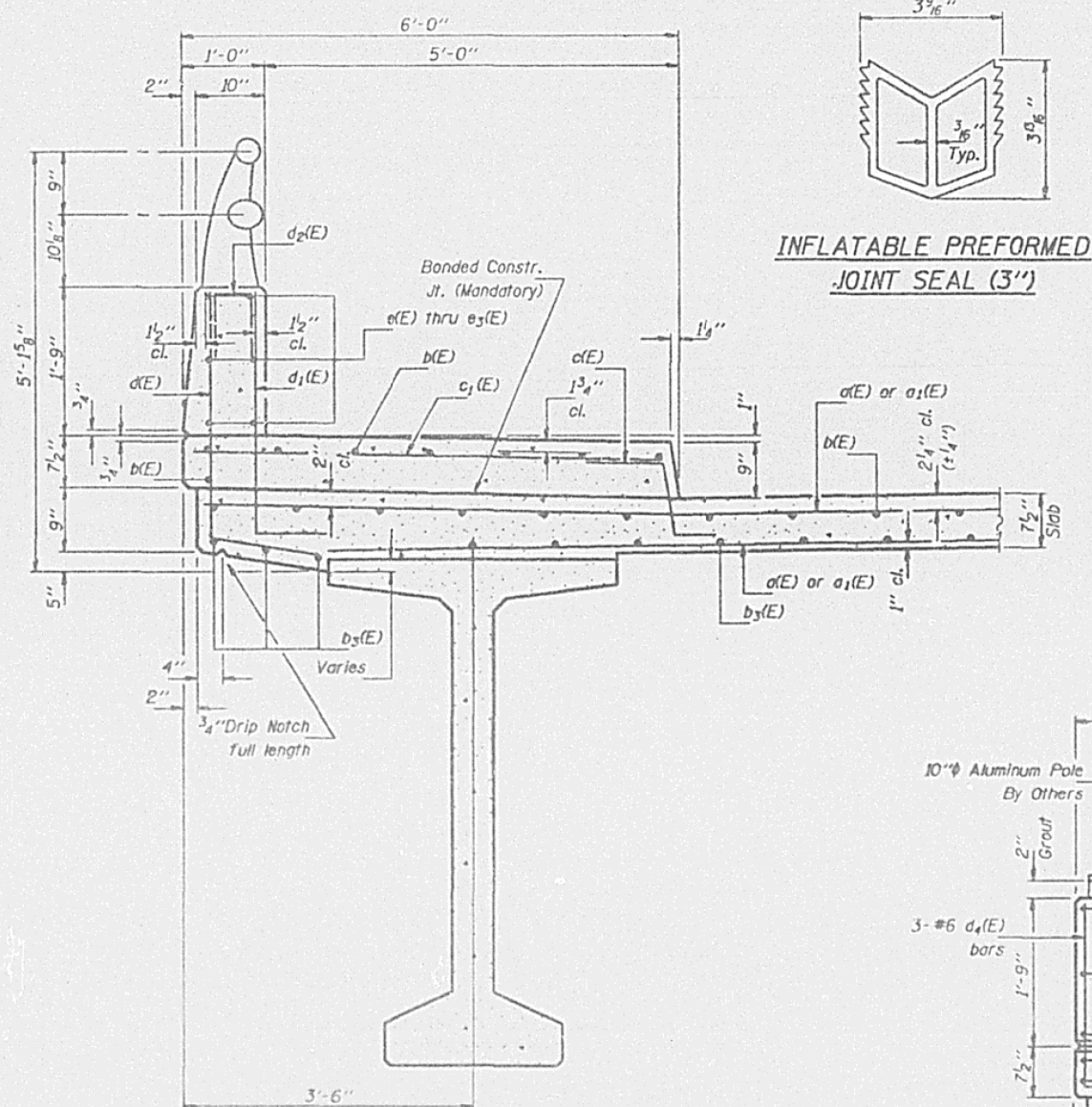
1/4" ANCHOR BOLT



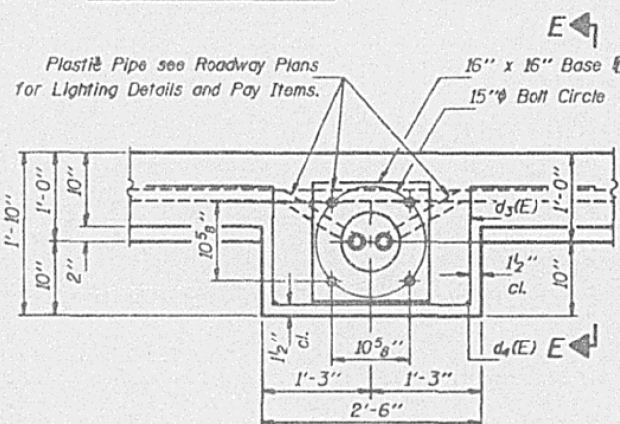
SECTION D-D



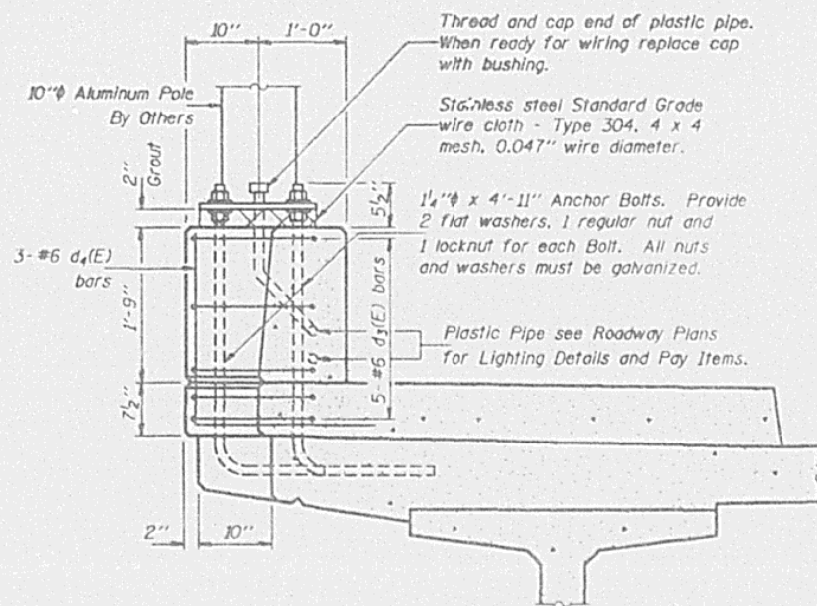
PLAN



SECTION THRU SIDEWALK

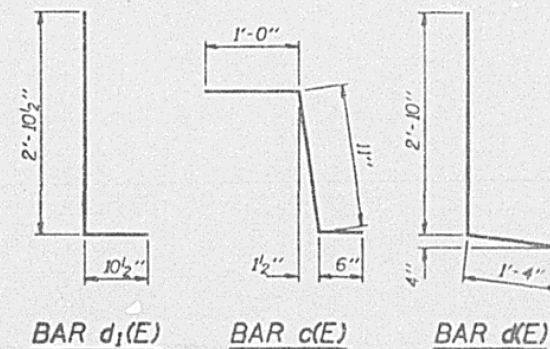


PLAN



SECTION E-E

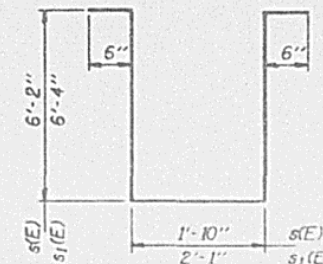
Cost of anchor bolts, nuts, washers and plastic pipe is incidental.



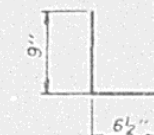
BAR d₁(E)

BAR c(E)

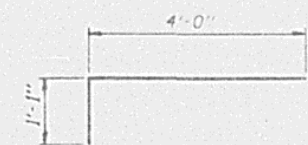
BAR d(E)



BARS s(E) & s₁(E)



BAR d₂(E)



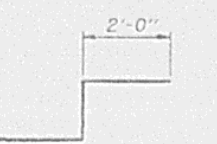
BAR x(E)



BAR x₁(E)



BAR d₄(E)



BAR d₃(E)

SUPERSTRUCTURE
BILL OF MATERIAL

Bar No.	Size	Length	Shape
a(E)	1328 #5	33'-7"	
a ₁ (E)	1328 #5	35'-7"	
a ₂ (E)	12 #7	33'-7"	
a ₃ (E)	80 #6	5'-9"	
a ₄ (E)	12 #7	35'-7"	
a ₅ (E)	10 #6	4'-0"	
a ₆ (E)	112 #5	2'-0"	
b(E)	1584 #5	29'-9"	
b ₁ (E)	840 #6	18'-3"	
b ₂ (E)	420 #6	19'-1"	
b ₃ (E)	1159 #5	28'-3"	
c(E)	994 #5	2'-5"	
c ₁ (E)	994 #5	5'-8"	
d(E)	994 #4	4'-2"	
d ₁ (E)	994 #6	3'-9"	
d ₂ (E)	240 #4	2'-0 1/2"	
d ₃ (E)	30 #6	8'-11"	
d ₄ (E)	18 #6	4'-1"	
e(E)	144 #4	17'-0"	
e ₁ (E)	24 #4	14'-6"	
e ₂ (E)	48 #4	16'-0"	
e ₃ (E)	120 #4	19'-3"	
m(E)	192 #4	6'-3"	
m ₁ (E)	48 #6	4'-7"	
m ₂ (E)	30 #6	6'-2"	
m ₃ (E)	24 #4	4'-1"	
m ₄ (E)	5 #6	3'-2"	
s(E)	72 #4	15'-2"	
s ₁ (E)	36 #4	15'-9"	
x(E)	236 #6	5'-1"	
x ₁ (E)	236 #6	3'-4"	
Reinforcement Bars (Epoxy Coated)		Lbs.	244,170
Class X Concrete Superstructure		Cu. Yd.	1,259

Reinforcement bars designated (E) shall be epoxy coated.

SUPERSTRUCTURE DETAILS
F.A.P. RT. 729 SEC. (34Z-D)BR
VERMILION COUNTY
STA. 616+30.50

DESIGNED <i>Steven Nguyen</i>	EXAMINED <i>Raj D. Gupta</i>
CHECKED <i>A.R. Schuch</i>	PASSED <i>Ralph E. Anderson</i>
DRAWN <i>John F. Schueller Jr.</i>	APPROVED _____
CHECKED <i>SPN</i>	