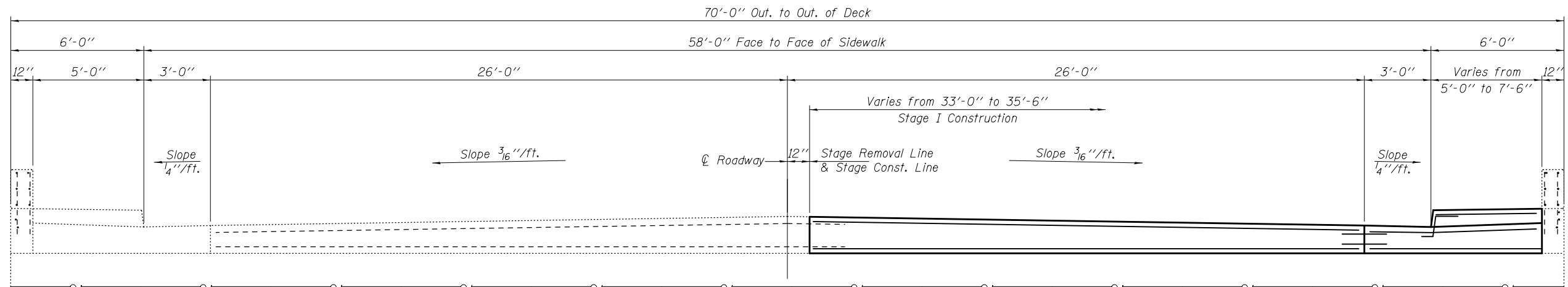


**CROSS-SECTION THRU BRIDGE DECK**

(Looking East)

Note:  
For sidewalk and parapet  
dimensions see sheet 4 of 8.



**CROSS-SECTION THRU EAST APPROACH**

(Looking East)

DESIGNED ADY	EXAMINED <i>Timothy A. [Signature]</i>	DATE JANUARY 17, 2014
CHECKED ARS	PASSED <i>[Signature]</i>	REVISOR
DRAWN Kyle M. Steffen	ACTING ENGINEER OF BRIDGES AND STRUCTURES	REVISOR
CHECKED ADY ARS		

STATE OF ILLINOIS  
DEPARTMENT OF TRANSPORTATION

TYPICAL CROSS SECTIONS  
SN 092-0053

SHEET NO. 2 OF 8 SHEETS

F.A.P. RTE. 729	SECTION (34Z-1B)I-2	COUNTY VERMILION	TOTAL SHEETS 25	SHEET NO. 7
CONTRACT NO. 70971			ILLINOIS FED. AID PROJECT	