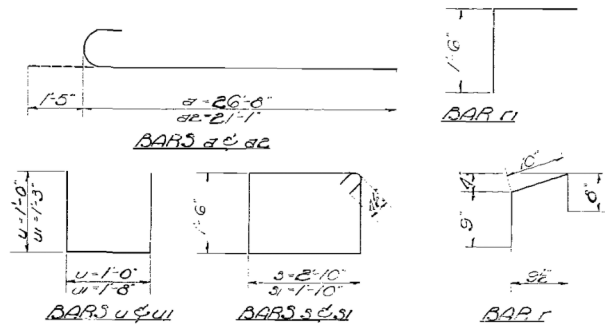
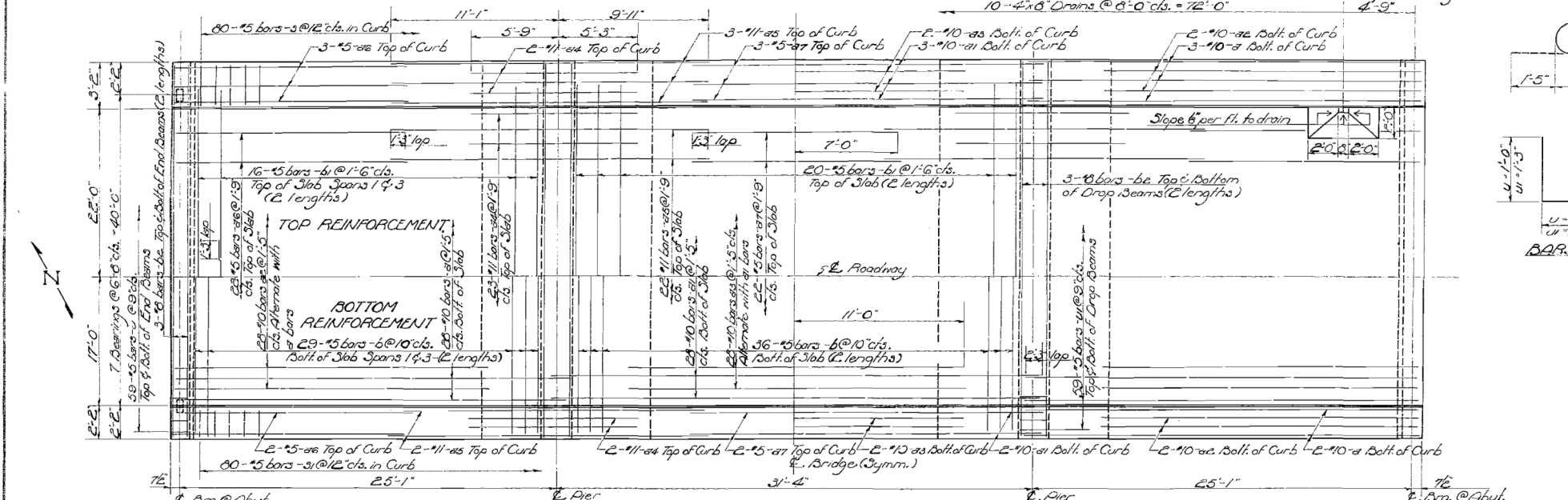
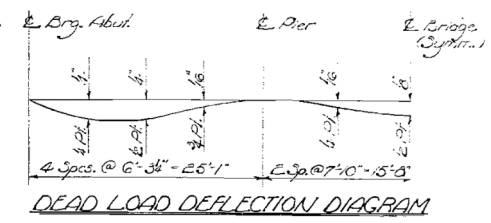
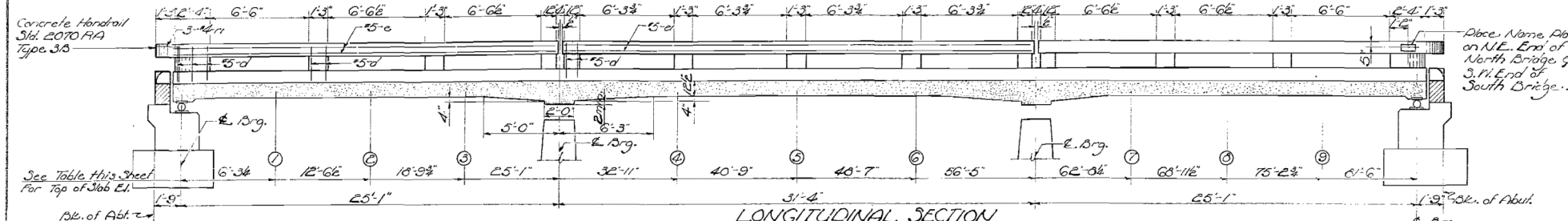


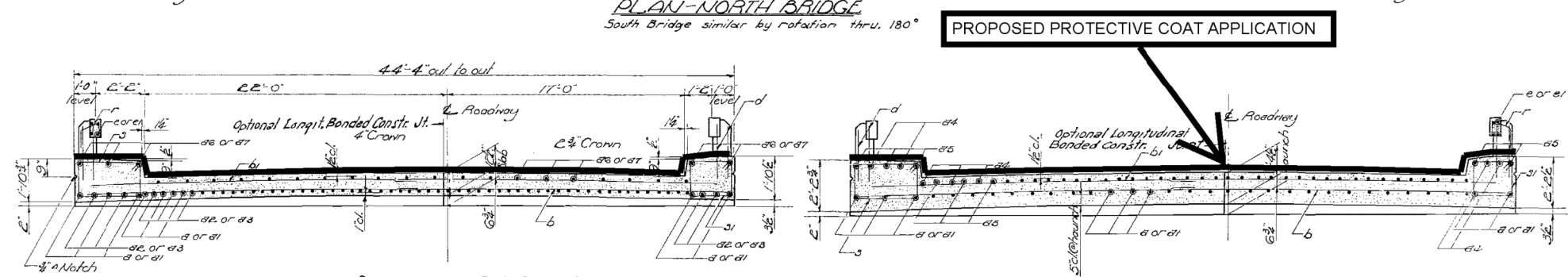
STATE OF ILLINOIS
DEPARTMENT OF PUBLIC WORKS & BUILDINGS
DIVISION OF HIGHWAYS

| | | | | |
|-----------------------|---------|--------|-----------|-----------------------------|
| ROUTE NO. | SECTION | COUNTY | SHEET NO. | SHEET NO. |
| S. & L. 74 | 57-17B | MCLEAN | 19 | 6 |
| FED. ROAD DIST. NO. 1 | | | | ILLINOIS FED. AID PROJECT |



BILL OF MATERIAL - P. BRIDGES

| Bar | No. | Size | Length | Spaced |
|---------------------|----------|--------|--------|--------|
| 4 | 132 | #10 | 22'-1" | |
| 41 | 66 | #10 | 33'-6" | |
| 42 | 126 | #10 | 22'-0" | |
| 43 | 64 | #10 | 22'-0" | |
| 44 | 108 | #11 | 11'-0" | |
| 45 | 108 | #11 | 21'-0" | |
| 46 | 108 | #5 | 15'-9" | |
| 47 | 54 | #5 | 14'-0" | |
| 6 | 376 | #5 | 22'-3" | |
| 61 | 208 | #5 | 21'-6" | |
| 62 | 96 | #5 | 23'-0" | |
| 9 | 160 | #5 | 9'-5" | |
| 31 | 160 | #5 | 7'-5" | |
| 11 | 472 | #5 | 3'-0" | |
| 11 | 472 | #5 | 4'-2" | |
| 0' | 216 | #5 | 2'-9" | |
| 6 | 32 | #5 | 25'-6" | |
| 01 | 16 | #5 | 31'-0" | |
| 7 | 112 | #4 | 2'-3" | |
| 7 | 24 | #4 | 3'-0" | |
| Class A Concrete | Cu. Yds. | 334.1 | | |
| Horizontal Concrete | Cu. Yds. | 0.0 | | |
| Reinforcement Bars | Lbs. | 32,630 | | |
| Structural Steel | Lbs. | 20,040 | | |
| Name Plates | Each | 2 | | |



TYPICAL SECTION; FOUR-LANE WITH CURB; DUAL STRUCTURES

| Location | E. Drg. Abut. (1) | (2) | (3) | E. Pier (4) | (5) | (6) | E. Pier (7) | (8) | (9) | E. Drg. Abut. | | | |
|-------------------------------|-------------------|--------|--------|-------------|--------|--------|-------------|--------|--------|---------------|--------|--------|--------|
| Theoretical Elevation | 755.75 | 755.70 | 755.01 | 755.05 | 755.00 | 755.93 | 755.97 | 756.02 | 756.07 | 756.10 | 756.14 | 756.10 | 756.22 |
| Theoretical El. + 10.00 Defl. | 755.75 | 755.00 | 755.03 | 755.06 | 755.00 | 755.93 | 755.90 | 756.02 | 756.07 | 756.11 | 756.16 | 756.20 | 756.22 |

DESIGNED: Joseph W. Lanni
CHECKED: C. W. Shick
DRAWN: R. W. Lanni
CHECKED: C. W. Shick

EXAMINED: R. B. ...
PASSED: ...
APPROVED: R. B. ...

SUPERSTRUCTURE
F.A.I.R.I. 74 - SEC. 57-17B
MCLEAN COUNTY
STA. 1512+64

Added Long. Bonded Const. Joint. R.D. 12/12/63.