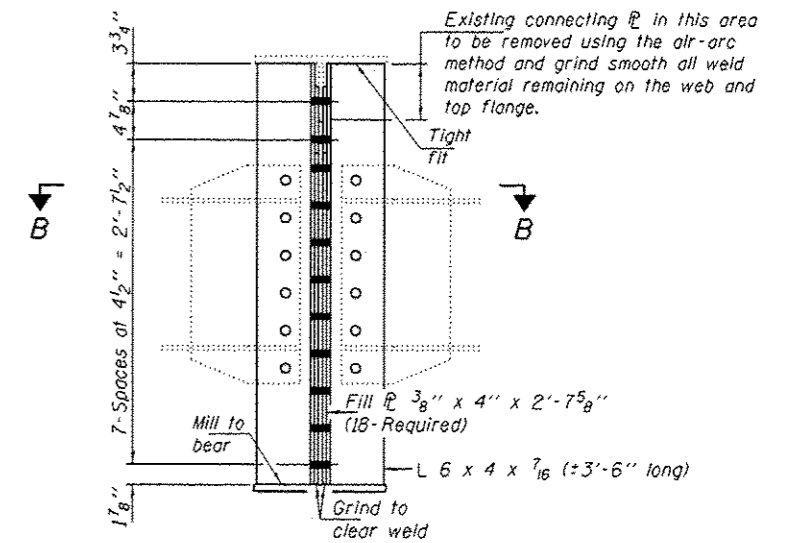


SECTION B-B



DIAPHRAGM REPLACEMENT

Girders 2 thru 5 shown.
Girder 1 South side only.

- - Field Drill holes in new steel using holes in existing steel as template.
- - Field Drill holes in existing steel using holes in new steel as template.

DESIGNED GGE	EXAMINED <i>Timothy A. A. [Signature]</i>	DATE NOVEMBER 18, 2013	STATE OF ILLINOIS DEPARTMENT OF TRANSPORTATION	REPAIR DETAILS SN 072-0179	F.A.I. RTE. 14	SECTION 04 MCHD 2014-1	COUNTY PEORIA	TOTAL SHEETS 8	SHEET NO. 7	
CHECKED ATH	PASSED <i>Carl [Signature]</i>	REVISOR			CONTRACT NO. 68B64					
DRAWN Kyle M. Steffen	ACTING ENGINEER OF BRIDGES AND STRUCTURES	REVISOR			ILLINOIS FED. AID PROJECT					
CHECKED GGE ATH	ACTING ENGINEER OF BRIDGES AND STRUCTURES	REVISOR			SHEET NO. 2 OF 3 SHEETS					