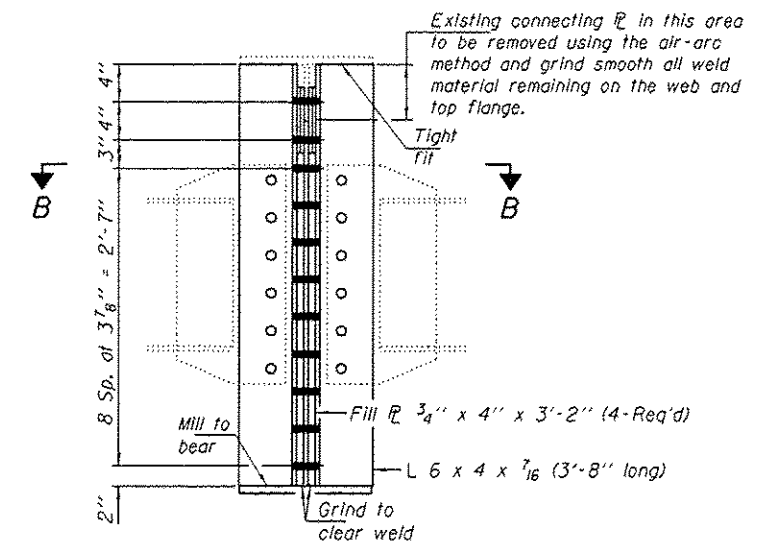


**SECTION B-B**



**DIAPHRAGM REPLACEMENT**

- - Field Drill holes in new steel using holes in existing steel as template.
- - Field Drill holes in existing steel using holes in new steel as template.

Girder 3 shown  
Girder 1, W. side only  
Girder 7, E. side only

DESIGNED <i>GGE</i>	EXAMINED <i>Timothy A. ...</i>	DATE <u>NOVEMBER 18, 2013</u>
CHECKED <i>ATH</i>	ACTING ENGINEER OF STRUCTURAL SERVICES	REVISED
DRAWN <i>balva</i>	PASSED <i>Carl ...</i>	REVISED
CHECKED <i>GGE</i> <i>ATH</i>	ACTING ENGINEER OF BRIDGES AND STRUCTURES	REVISED

**STATE OF ILLINOIS  
DEPARTMENT OF TRANSPORTATION**

**REPAIR DETAILS  
SN 072-0182**

SHEET NO. 2 OF 3 SHEETS

F.A.I. RTE.	SECTION	COUNTY	TOTAL SHEETS	SHEET NO.
14	DA NCHO 2014-1	PEORIA	8	4
CONTRACT NO. 68B64			ILLINOIS FED. AID PROJECT	