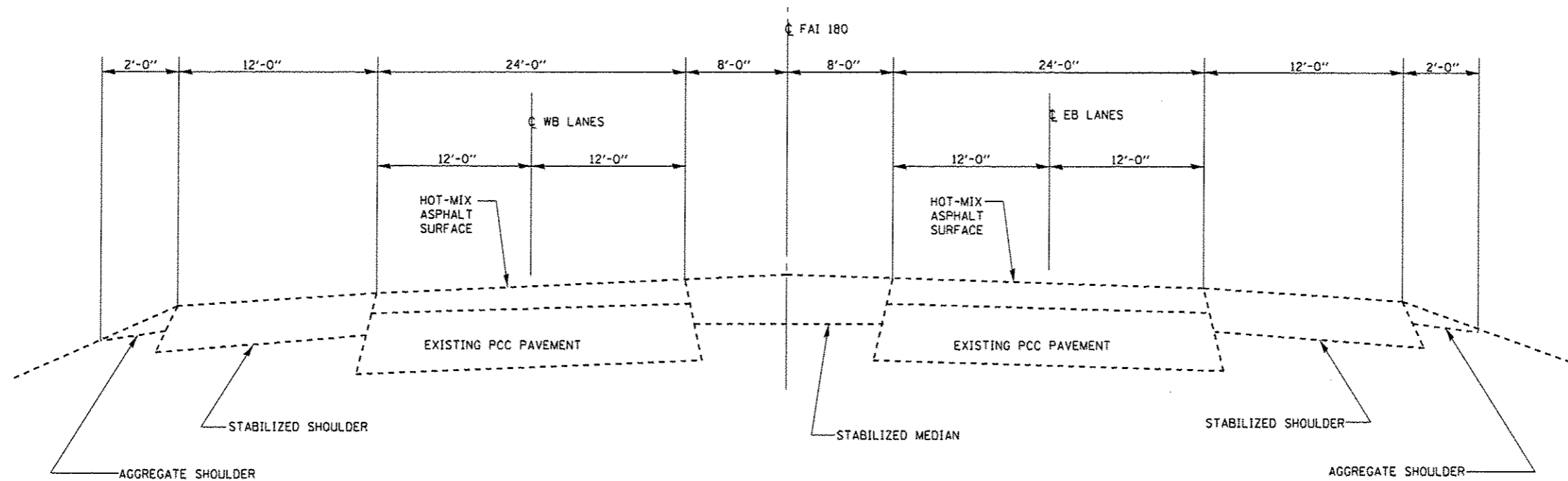


**TYPICAL SECTION
WEST OF ILLINOIS RIVER**



**TYPICAL SECTION
EAST OF ILLINOIS RIVER**

FILE NAME *	USER NAME * Pateli,j	DESIGNED - YOGESH PATEL	REVISED -	STATE OF ILLINOIS DEPARTMENT OF TRANSPORTATION	TYPICAL SECTIONS			F.A.I. RTE.	SECTION	COUNTY	TOTAL SHEETS	SHEET NO.
c:\pwork\pwork\pateli,j\d8358838\036627-ahd-detailed.dgn	PLOT SCALE * 100.0000 ' / in.	DRAWN - YOGESH PATEL	REVISED -					180	(06-3,78-1)PM-1	BUREAU	9	4
MODELNAME	PLOT DATE * 12/9/2013	CHECKED - RON WOODSHANK	REVISED -		SCALE:	SHEET 1 OF 1 SHEETS	STA.	TO STA.	CONTRACT NO. 66027			
		DATE -	REVISED -						ILLINOIS FED. AID PROJECT			