

SECTION AT ABUTMENT

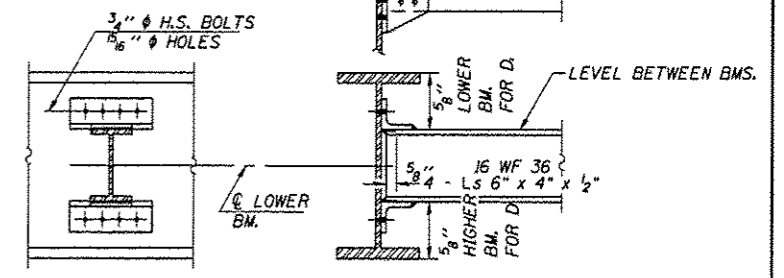
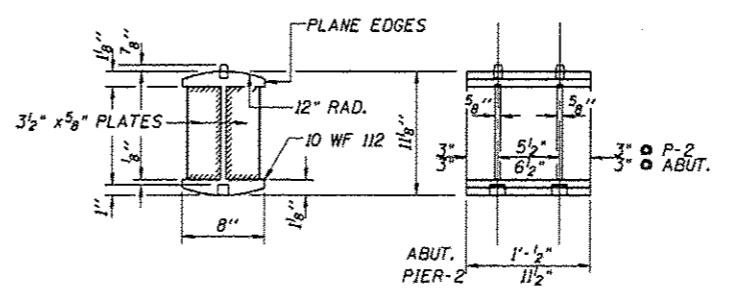
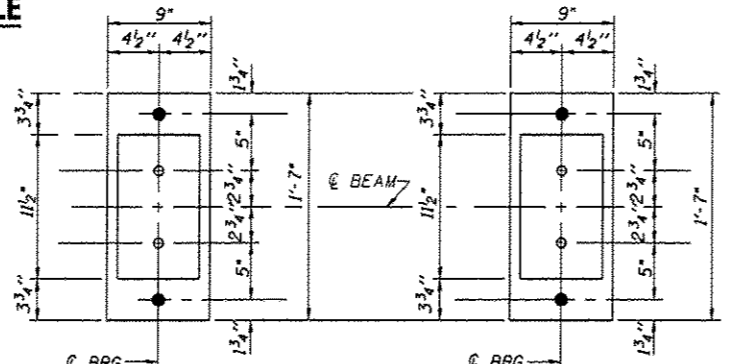
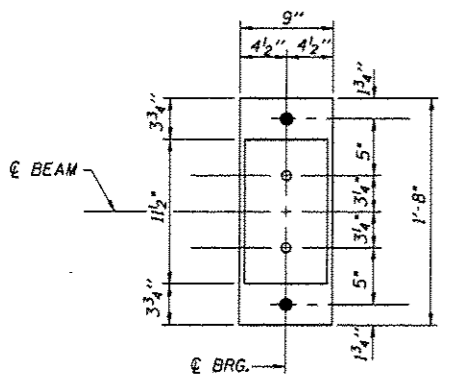
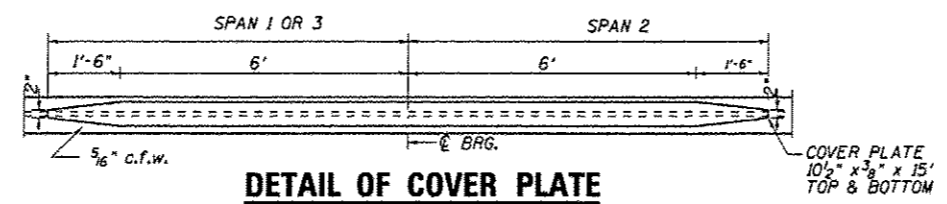
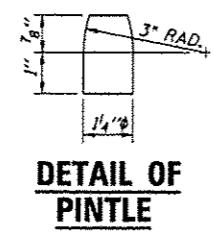
PIER 2

PIER 1

DETAIL OF BOLSTER AT PIER 1

DIAPHRAGM D
24 REQUIRED

NOTE: RUN ALL DIAPHRAGMS LEVEL



DIAPHRAGM D & D
D : 84 REQUIRED
D : 24 REQUIRED

DETAIL OF ROCKER AT ABUTMENTS & PIER 2

FOR INFORMATION ONLY

FILE NAME *	USER NAME * Potelyj	DESIGNED - R WOODSHANK	REVISED -	STATE OF ILLINOIS DEPARTMENT OF TRANSPORTATION	STRUCTURAL STEEL DETAILS STRUCTURE NO'S. 038-0005 AND 038-0006	F.A.I. RTE.	SECTION	COUNTY	TOTAL SHEETS	SHEET NO.	
cd:\pwwork\pwwork\potelyj\d034255\036610-shr-steel.dgn	10-shr-steel.dgn	DRAWN - E JAUCH	REVISED -			57	(38-5VB)BP	IRROQUOIS	9	9	
#MODELNAME*	PLOT SCALE = 1/8" = 1'-0"	CHECKED - Y PATEL	REVISED -			SCALE:	SHEET NO. 2 OF 2 SHEETS	STA.	TO STA.	CONTRACT NO. 66D10	
	PLOT DATE = 12/9/2013	DATE -	REVISED -							ILLINOIS FED. AID PROJECT	