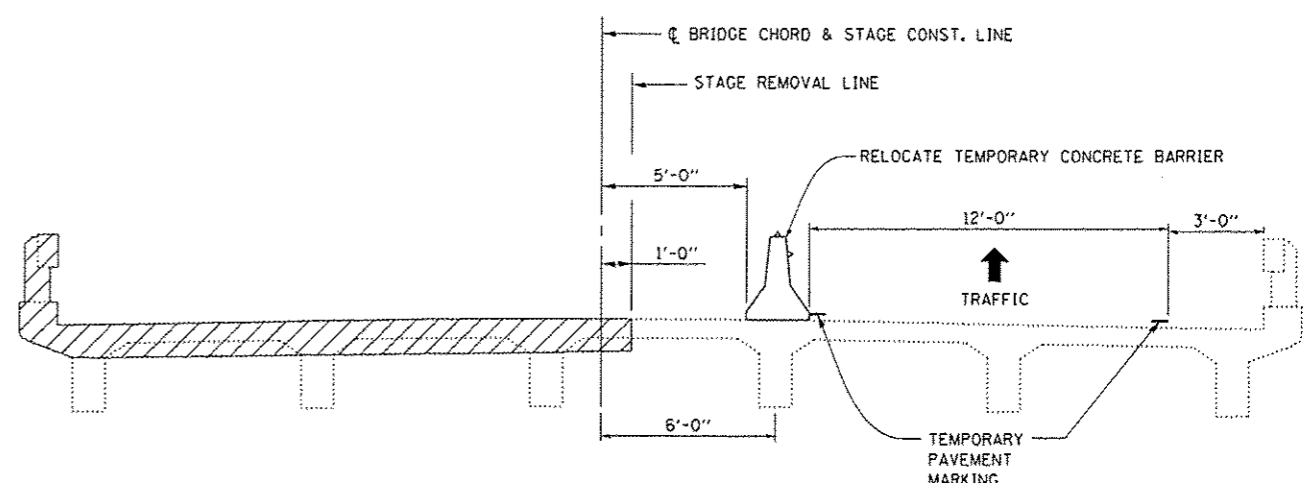
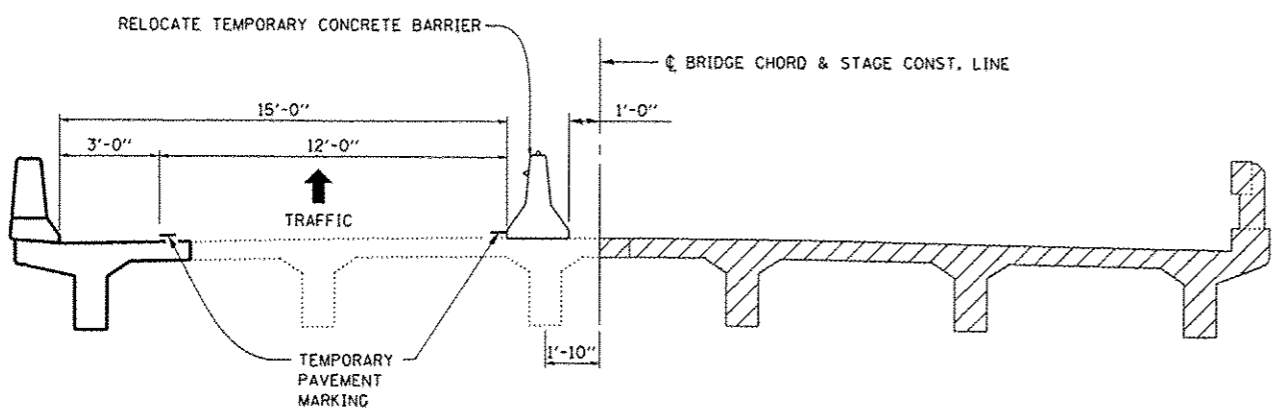


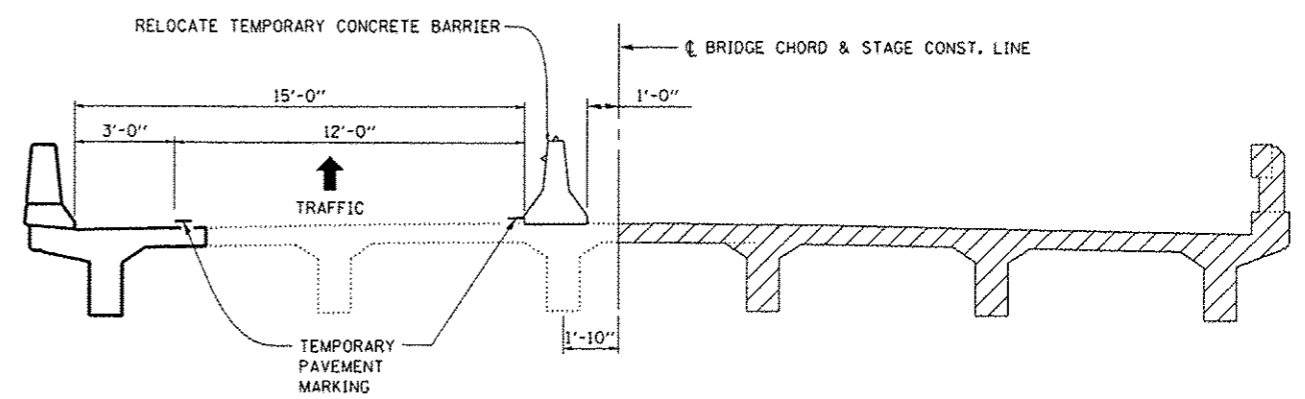
**CROSS SECTION
STAGE I
STRUCTURE NO. 038-0155 (SB)**



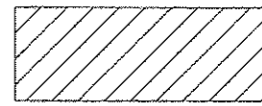
**CROSS SECTION
STAGE III
STRUCTURE NO. 038-0156 (NB)**



**CROSS SECTION
STAGE II
STRUCTURE NO. 038-0155 (SB)**



**CROSS SECTION
STAGE IV
STRUCTURE NO. 038-0156 (NB)**



WORK ZONE

FILE NAME *	USER NAME *	DESIGNED - RW	REVISED -	STATE OF ILLINOIS DEPARTMENT OF TRANSPORTATION	STAGES OF CONSTRUCTION		F.A.I. RTE.	SECTION	COUNTY	TOTAL SHEETS	SHEET NO.
c:\pwork\pvidot\woodshank-1\d0325865	woodshankr1	DRAWN - RW	REVISED -				57	138-651-2	IROQUOIS	19	8
MODELNAME		CHECKED - YP	REVISED -		SCALE: SHEET 1 OF 1 SHEETS STA. TO STA.		CONTRACT NO. 66C81				
		DATE - 9/16/2013	REVISED -		ILLINOIS FED. AID PROJECT						