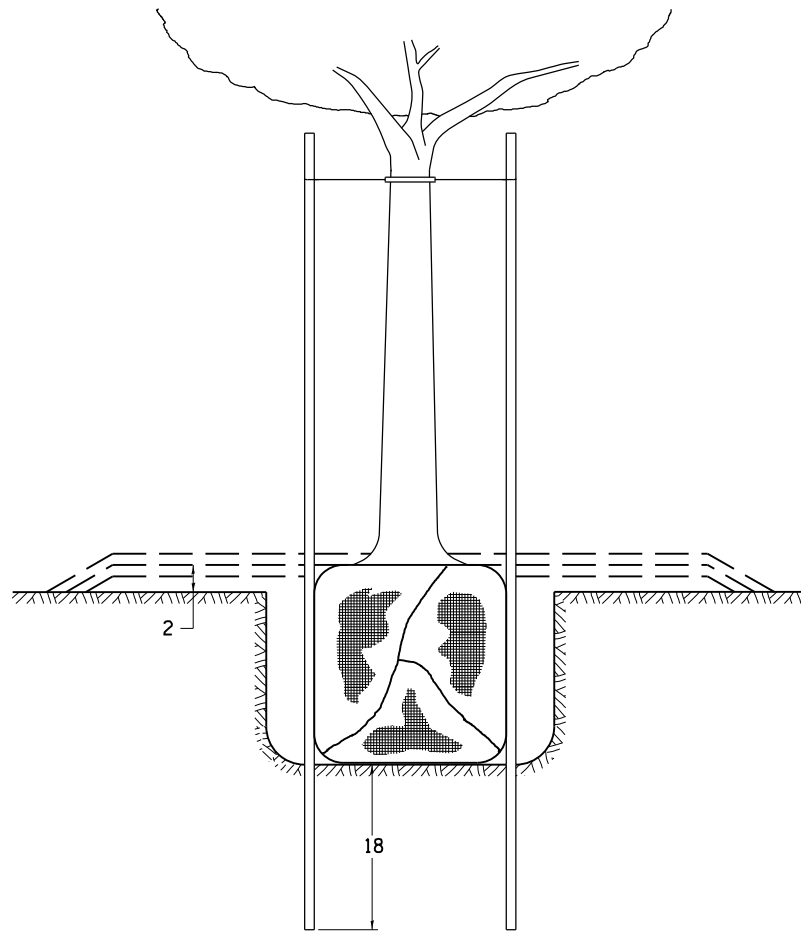
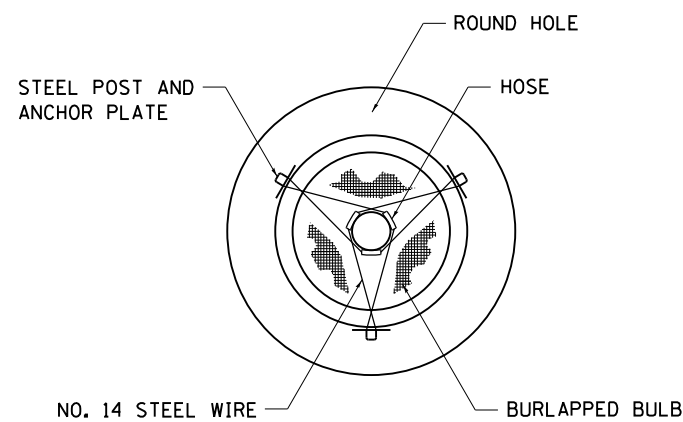


DETAILS OF PLANTING AND BRACING TREES

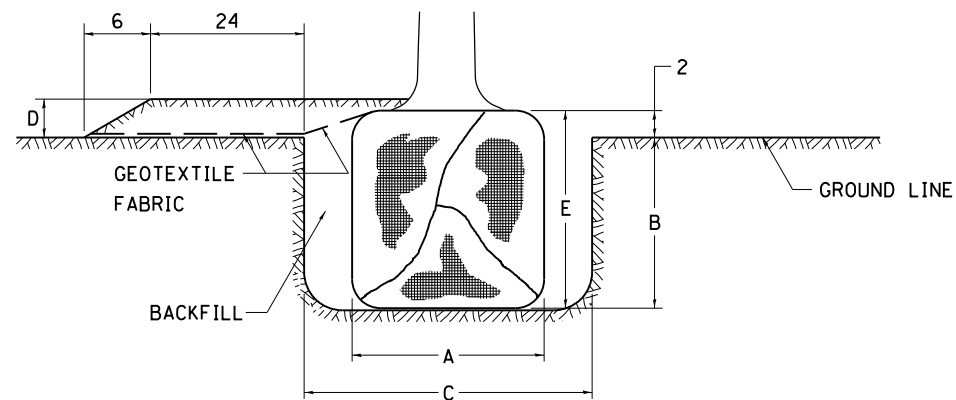


TREES SMALLER THAN 4 1/2 IN DIAMETER

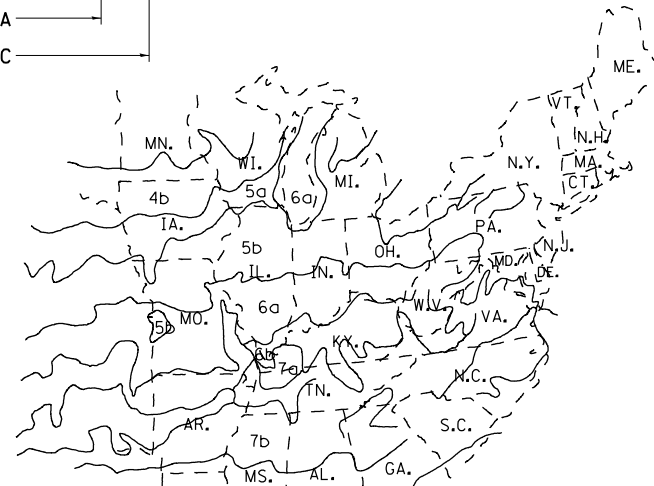
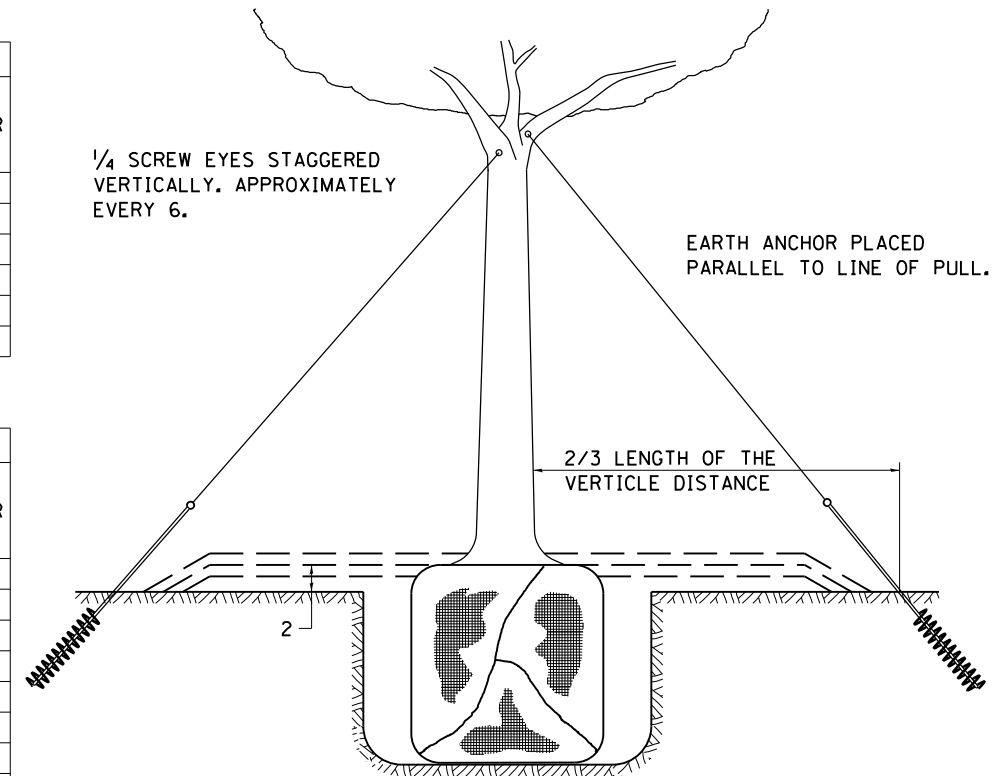


SMALL	A	B	C	D	E	F
TREE SIZE	DIAMETER OF BALL OR ROOT SYS.	DEPTH OF HOLE EXCAVATION	WIDTH OF HOLE EXCAVATION	THICKNESS OF MULCH COVER	DEPTH OF BALL OR ROOT SYS.	VOLUME OF MULCH COVER CU. YDS.
5'-6'	16	10	30	4	12	0.54
5'-6' BB	16	10	30	4	12	0.54
6'-7' BB	18	12	30	4	14	0.54
7'-8' BB	20	11	30	4	13	0.54
8'-10' BB	24	14	36	4	16	0.61
10'-12' BB	26	15	36	4	17	0.61

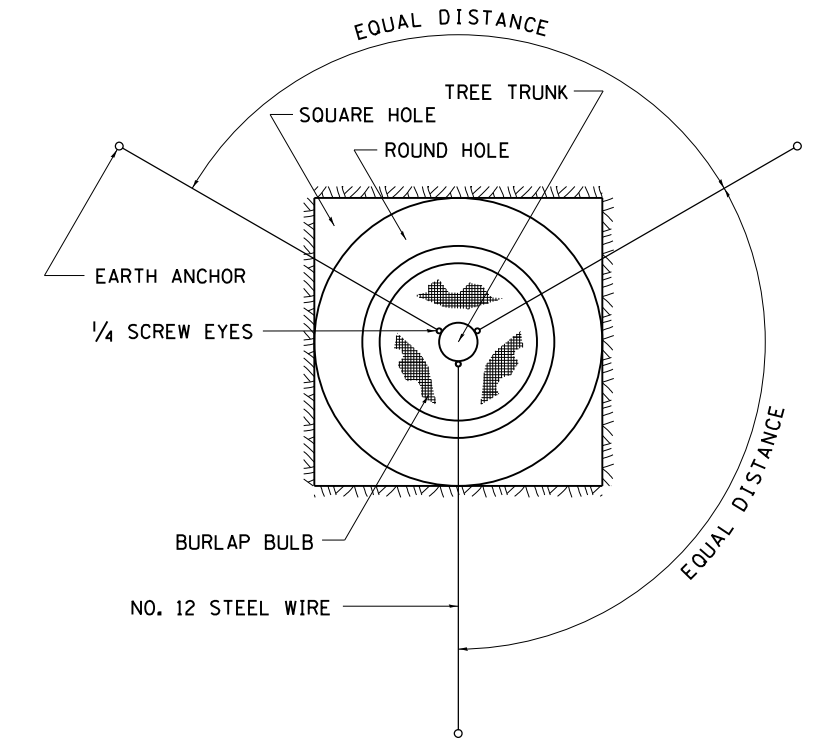
LARGE	A	B	C	D	E	F
TREE SIZE	DIAMETER OF BALL OR ROOT SYS.	DEPTH OF HOLE EXCAVATION	WIDTH OF HOLE EXCAVATION	THICKNESS OF MULCH COVER	DEPTH OF BALL OR ROOT SYS.	VOLUME OF MULCH COVER CU. YDS.
0-2	20	11	36	4	13	0.61
2-2 1/2 BB	24	14	48	4	16	0.78
2 1/2-3 BB	28	17	48	4	19	0.78
3-3 1/2 BB	32	17	60	4	19	0.96
3 1/2-4 BB	36	20	60	4	22	0.96
4-4 1/2 BB	40	22	72	4	24	1.16
4 1/2-5 BB	44	24	72	4	26	1.16
5-5 1/2 BB	48	27	84	4	29	1.38



TREES OVER 4 1/2 IN DIAMETER



PLANT HARDINESS ZONE MAP
U.S. DEPARTMENT OF AGRICULTURE
AGRICULTURAL RESEARCH SERVICE
PUBLICATION NO. 814



ALL DIMENSIONS ARE IN INCHES
UNLESS OTHERWISE NOTED.

FILE NAME =	USER NAME = rundbladerr	DESIGNED -	REVISED - 10-18-11	STATE OF ILLINOIS DEPARTMENT OF TRANSPORTATION	REGION 2 / DISTRICT 2 STANDARD	F.A.P. R.T.E.	SECTION	COUNTY	TOTAL SHEETS	SHEET NO.	
ci:\pw\work\p\dot\rundbladerr\d0331847	0264H70-District2Standards-01.dgn	DRAWN -	REVISED -			734	77R-1	WINNEBAGO	179	103	
	PLOT SCALE = 100.0020' / in.	CHECKED -	REVISED -			CONTRACT NO. 64H70					
	PLOT DATE = Thu Aug 15 13:19:13 2013	DATE -	REVISED -			FED. ROAD DIST. NO. ILLINOIS FED. AID PROJECT					