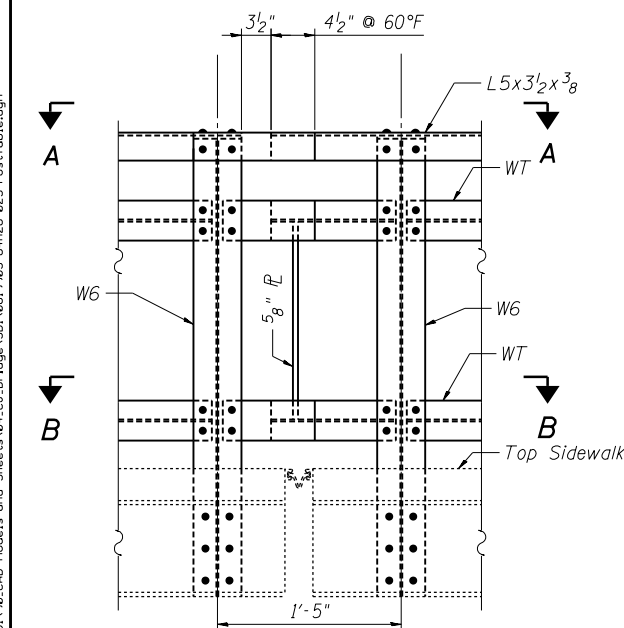
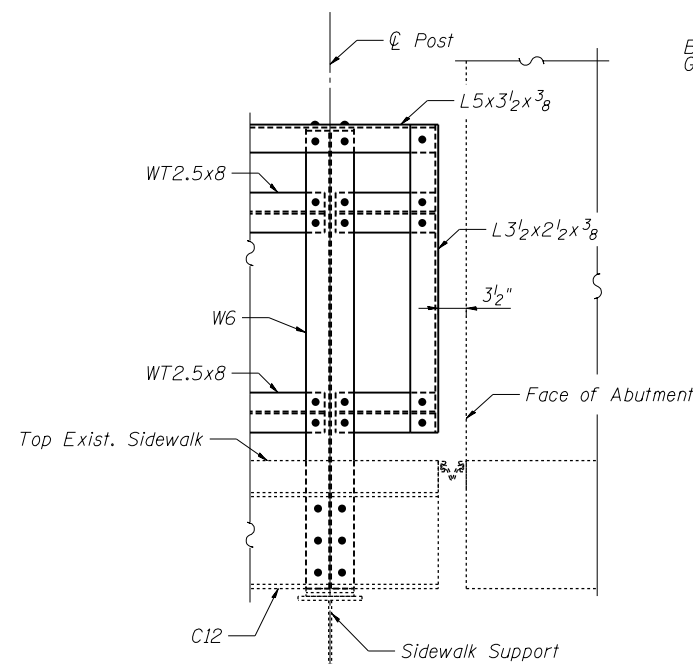


**TYPICAL HANDRAIL PANEL**

Total estimated length of railing to removed and replaced is 3,404 feet.

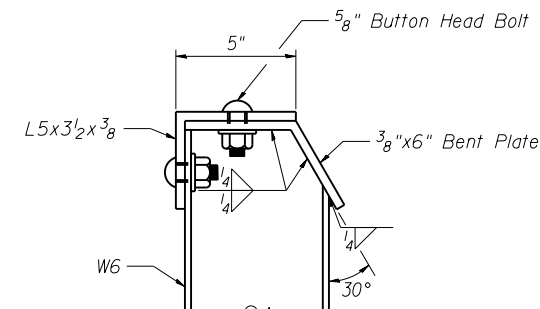


**AT EXPANSION JOINT**

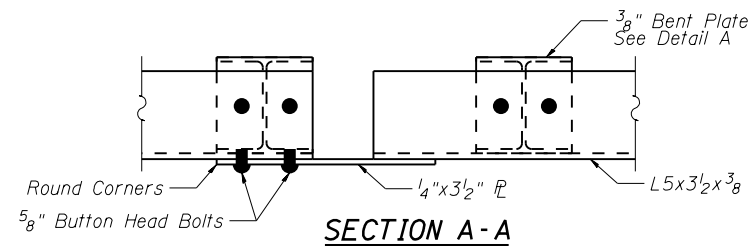


**AT SOUTH ABUTMENT**

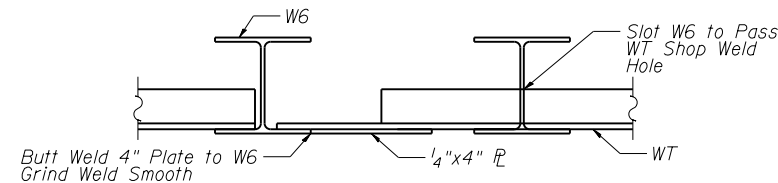
**EAST SIDE  
RAIL AND POST  
REPLACEMENT**



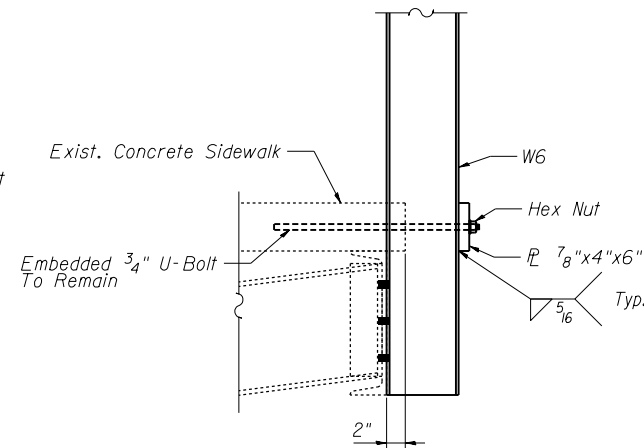
**DETAIL A**



**SECTION A-A**



**SECTION B-B**



**SECTION C-C**

**WEST SIDE  
POST REPLACEMENT LOCATIONS**

WEST SIDE		
SPAN No.	POST No.	DETAIL No.
7	64	113
	65	113
	67	112
	69	112
	70	113
	71	112
	72	113
	73	112
	74	113
	7-8	75
8	78	113
	79	112
	93	114
9-1	96	111
	103	114
	107	114
9-2	108	111
	117	114
	118	114
9-3	119	114
	137	111
	152	114
10-6	152	114
10-7	159	114
10-9	191	114
	192	114
	262	114
12-1	266	114
	267	114
	271	114
12-2	272	114
	275	114
	278	114
	283	114
	285	111
12-4	295	114
	297	111
	321	114
13-1	329	114
	333	114
	335	114
	337	114
	338	114
13-2	342	114
	345	114
	346	114
13-3	353	112
	361	113
	366	112
14	370	112
	373	113
	390	113
15	399	112
	404	112
	405	113
16	416	113
	422	112
	424	112
17	428	112
	441	112
	458	113
18	474	113
	474	113
	474	113

WEST SIDE		
SPAN No.	POST No.	DETAIL No.
12-3	283	114
	285	111
	295	114
12-4	297	111
	321	114
	329	114
13-2	333	114
	335	114
	337	114
	338	114
	342	114
13-3	345	114
	346	114
	353	112
14	361	113
	366	112
	370	112
15	373	113
	390	113
	399	112
19-20	404	112
	405	113
	416	113
20	422	112
	424	112
	428	112
21	441	112
	458	113
	474	113

**Notes:**

The posts are defined with span numbers, overall post numbers and detail numbers. Post replacements shall be paid as Pay Item "Steel Bridge Rail Post". See Special Provisions

**Notes:**

The finish coat of the railing shall match existing railing to remain. New handrail panel lengths to match existing. See Special Provisions.

Work this Sheet with Sheet 29

I:\Projects\4015550\4015550-0201-190\_CAD\_Models\_and\_Sheets\04\_CJ\_Bridge\SDI\0819005-64H28-025-PostTable.dgn