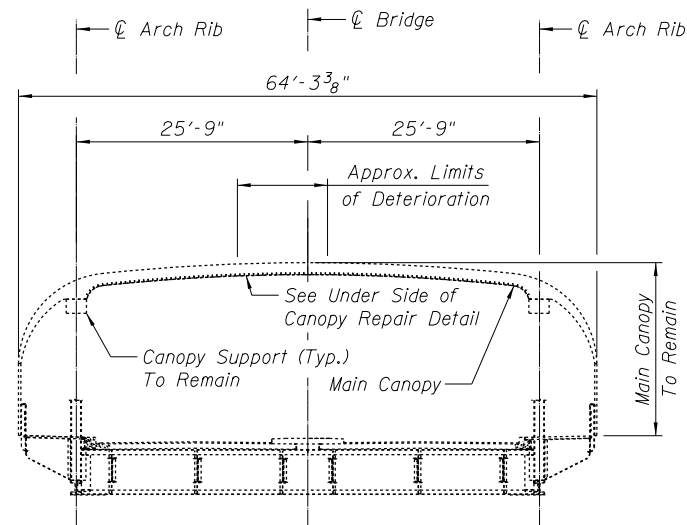


LEGEND

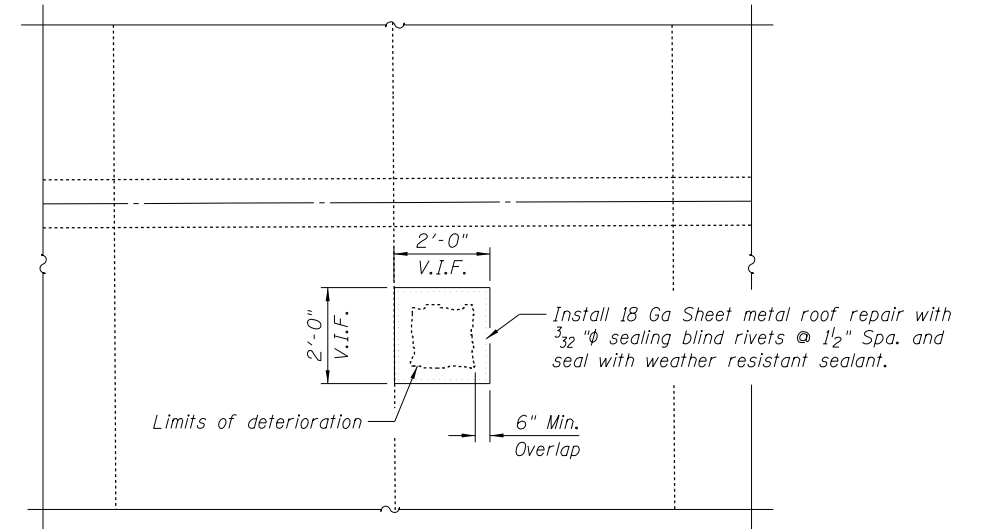
- Repair location on topside of canopy
- Repair location on underside of canopy

CANOPY PLAN

Span 10, 11

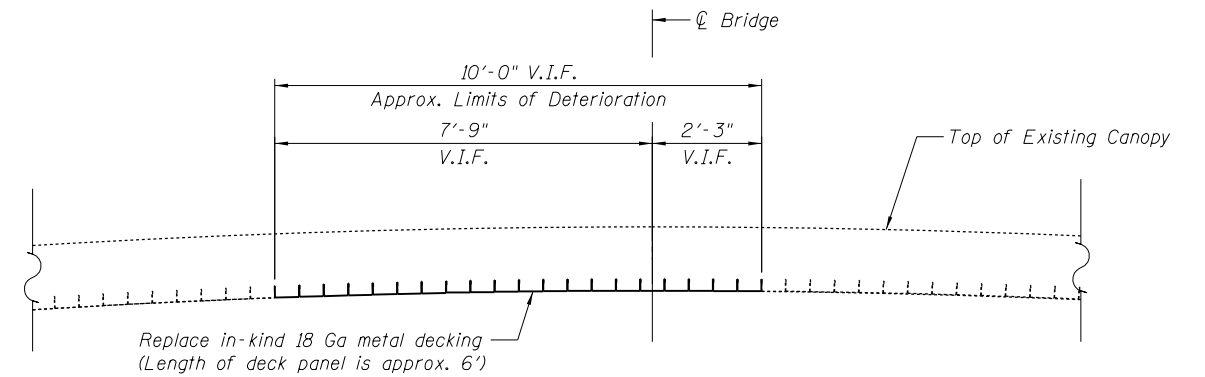


SECTION A-A



TOP SIDE OF CANOPY REPAIR DETAIL

(Plan View)



UNDER SIDE OF CANOPY REPAIR DETAIL

(Section View)

FILE NAME = I:\Projects\4815550\4015550_0001\90_CAD_Models_and_Sheets\04_CJ_Bridge\08150905-64H28-020-Canopy_Repair_Details.dgn



USER NAME = pottrjm	DESIGNED - MJK	REVISED
PLOT SCALE = 214.0000 1" = 100'	CHECKED - JAN	REVISED
PLOT DATE = 1/21/2014	DRAWN - MJK	REVISED
	CHECKED - JAN	REVISED

**STATE OF ILLINOIS
DEPARTMENT OF TRANSPORTATION**

**CANOPY REPAIR DETAILS
STRUCTURE NO. 081-9905**

SHEET NO. 25 OF 33 SHEETS

F.A.P. RTE.	SECTION	COUNTY	TOTAL SHEETS	SHEET NO.
308	(3BRIM)	ROCK ISLAND	47	38
C-92-090-12		CONTRACT NO. 64H28		
ILLINOIS FED. AID PROJECT				