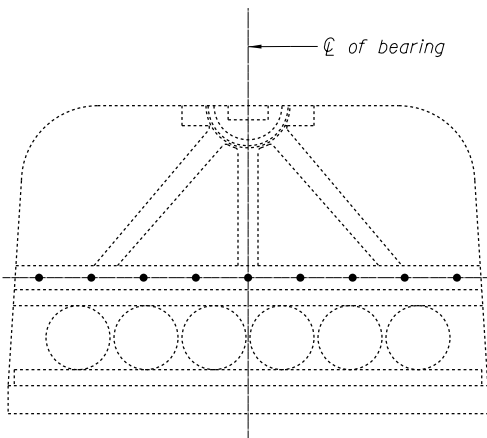


**DETAIL 14**  
Span 9 Floorbeam 8 @ Str. E  
(Looking North)



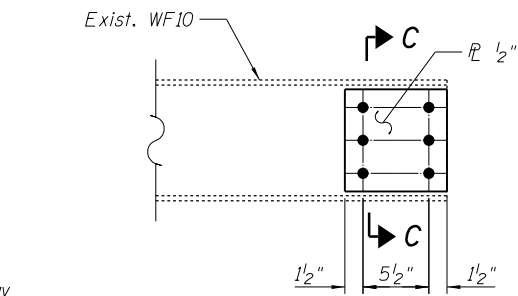
**Pier 2:**  
Reattach 3/16" dust guard plate with 1/2"  $\phi$  cap screws with 1/16"  $\phi$  x 0.177" thick washers

**Pier 1:**  
Provide new 3/16" dust guard plate with 1/2"  $\phi$  cap screws with 1/16"  $\phi$  x 0.177" thick washers.

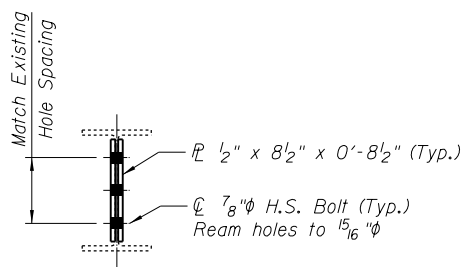
**DETAIL 15**  
Span 10, West Bearing @ Pier 2  
(Looking East)  
Span 9, East Bearing @ Pier 1  
(Looking East)

**NOTE:**  
Cost of work performed in Detail 15 is included with pay item Structural Steel Repair.

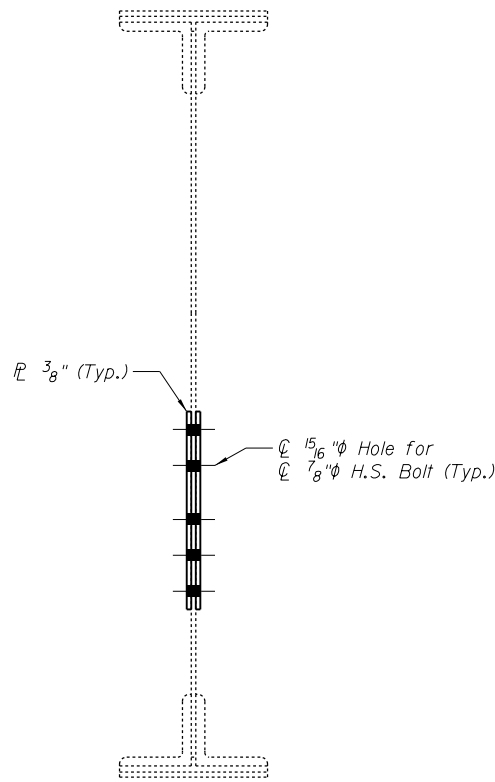
Retap 9 - 1/2"  $\phi$  cap screw holes (Pier 2), 6-holes (Pier 1), blow out & grease the holes



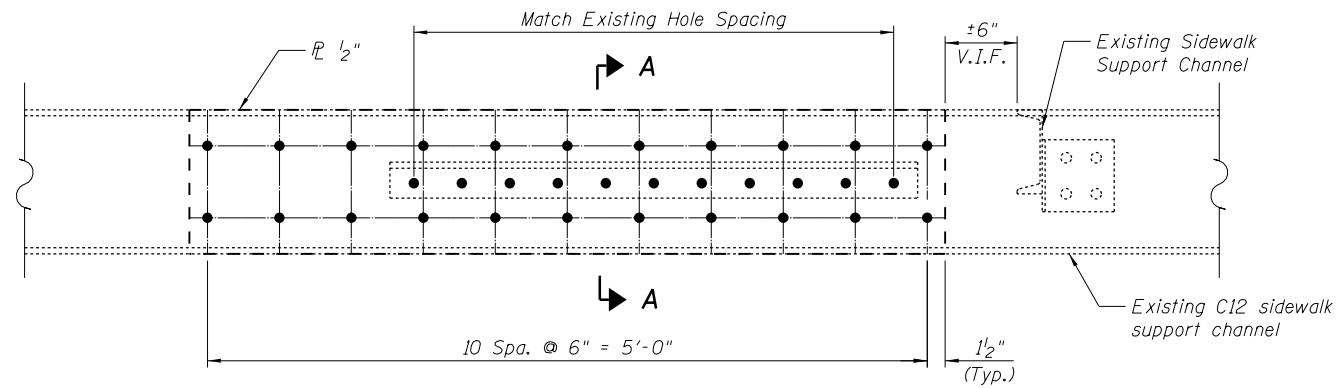
**DETAIL 17**  
Span 9, 3rd Purlin South of Floorbeam 3  
(Looking North)



**SECTION C-C**

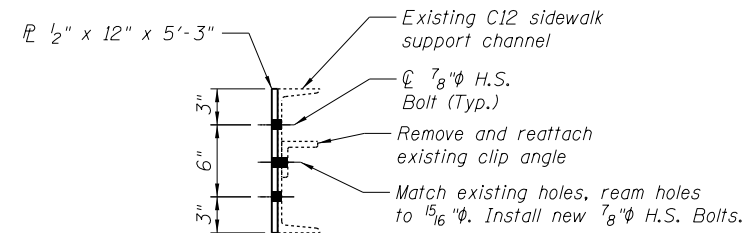


**SECTION D-D**

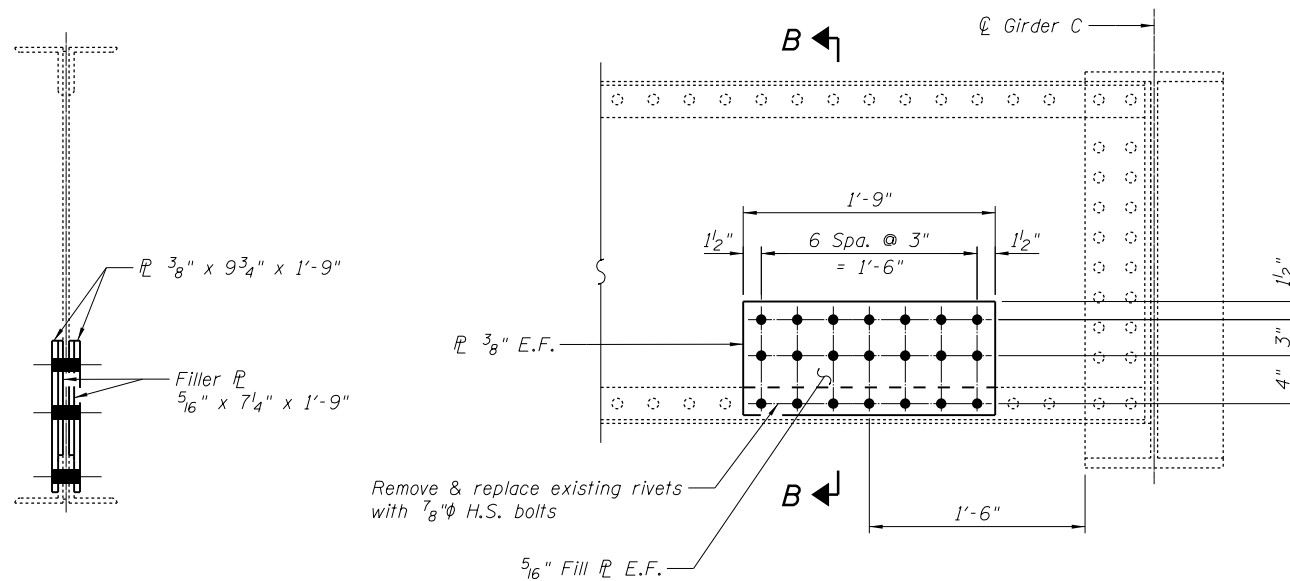


**DETAIL 16**

Span 13 Sidewalk Support Channel,  
West Side @ Pier 6  
(Looking East)

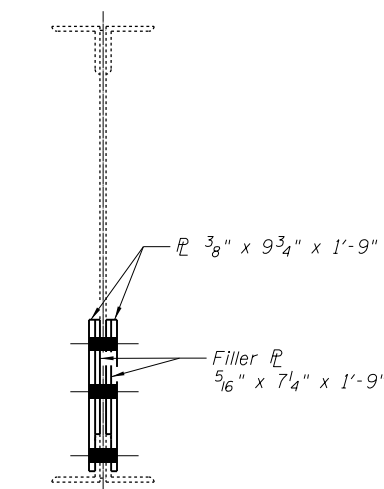


**SECTION A-A**



**DETAIL 18**

Span 23 Diaphragm Between Str. B & Str. C @ Bent 16  
(Looking South)



**SECTION B-B**

FILE NAME = I:\Projects\4015550\4015550\_0001\90\_CAD\_Models\_and\_Sheets\04\_CJ\_Bridge\0815085-64H28-015-Details 5.dgn



USER NAME = pattisjm	DESIGNED - MJK	REVISED
PLOT SCALE = 2:0.0000 '1' / in.	CHECKED - JAN	REVISED
PLOT DATE = 1/21/2014	DRAWN - MJK/KK	REVISED
	CHECKED - JAN	REVISED

STATE OF ILLINOIS  
DEPARTMENT OF TRANSPORTATION

STRUCTURAL STEEL REPAIR DETAILS, SHEET 5  
STRUCTURE NO. 081-9905

SHEET NO. 16 OF 33 SHEETS

F.A.P. RFE.	SECTION	COUNTY	TOTAL SHEETS	SHEET NO.
308	(3BRIM)	ROCK ISLAND	47	29
C-92-090-12		CONTRACT NO. 64H28		
ILLINOIS FED. AID PROJECT				