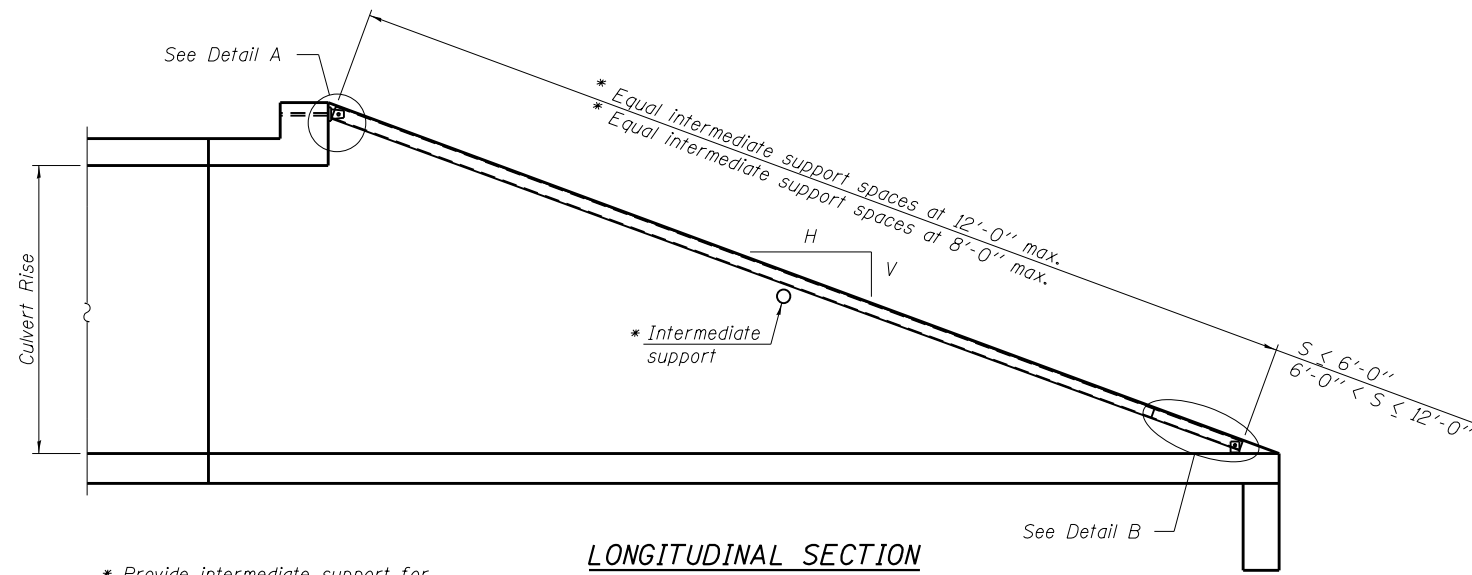


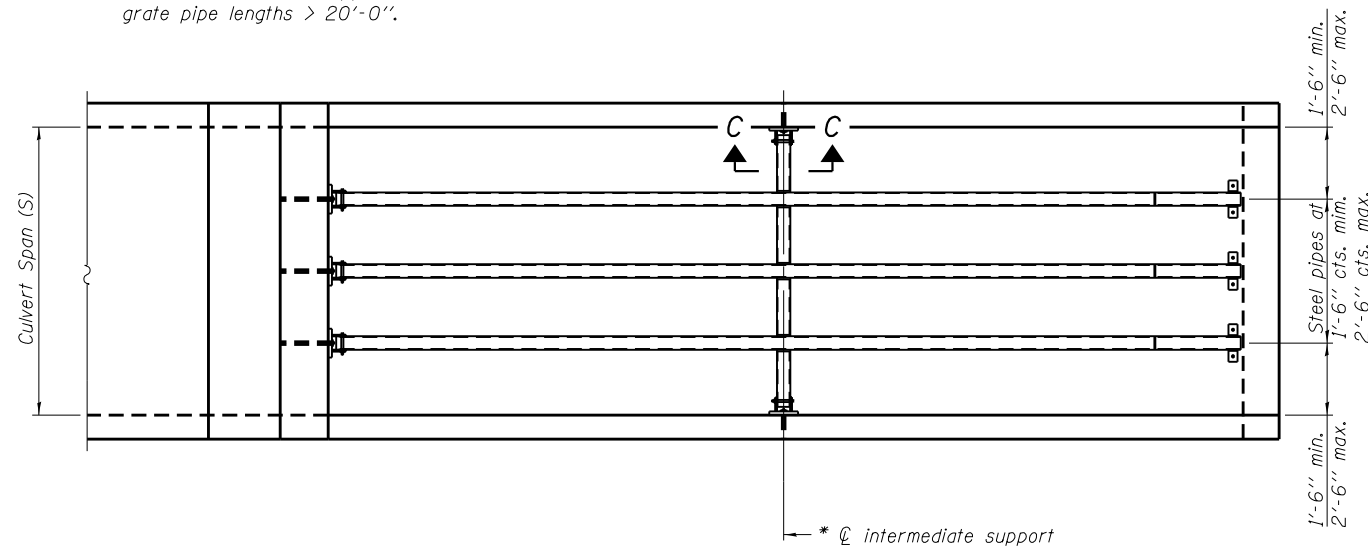
**GENERAL NOTES**

Length and number of steel pipes shall be determined by the Contractor except as shown.  
The minimum edge distance from the center of a hole to the free edge of a structural shape or plate shall be 1 1/2" unless noted otherwise.

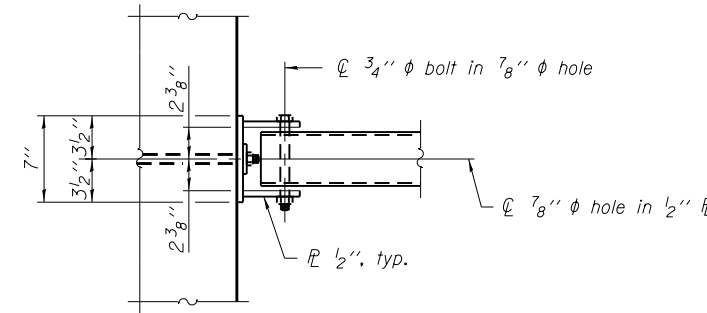


**LONGITUDINAL SECTION**

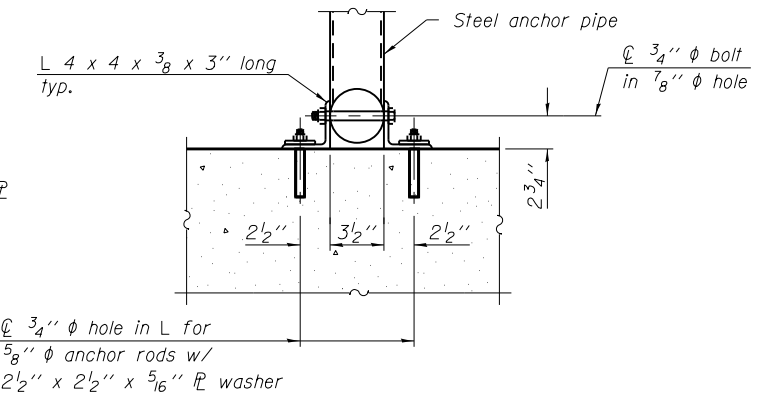
\* Provide intermediate support for grate pipe lengths > 20'-0".



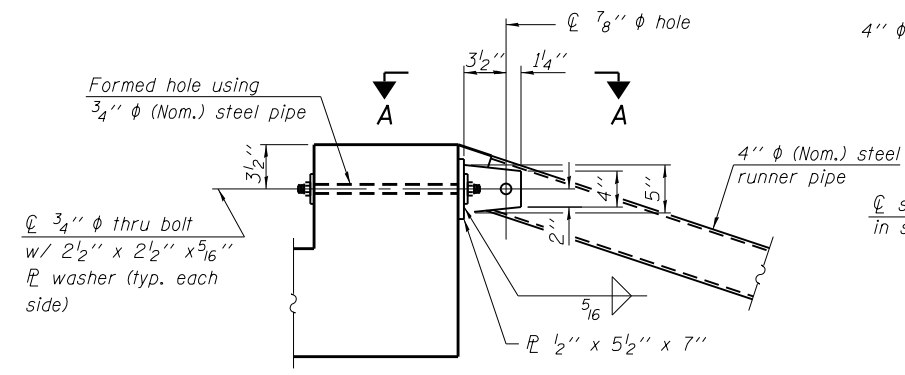
**PLAN VIEW**



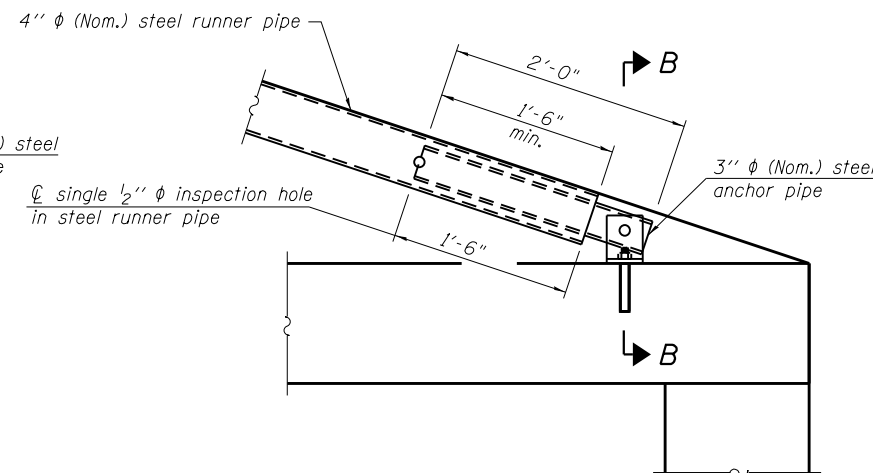
**VIEW A-A**



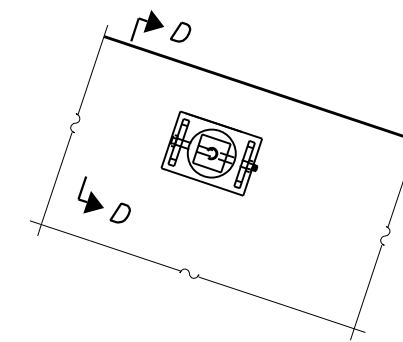
**SECTION B-B**



**DETAIL A**

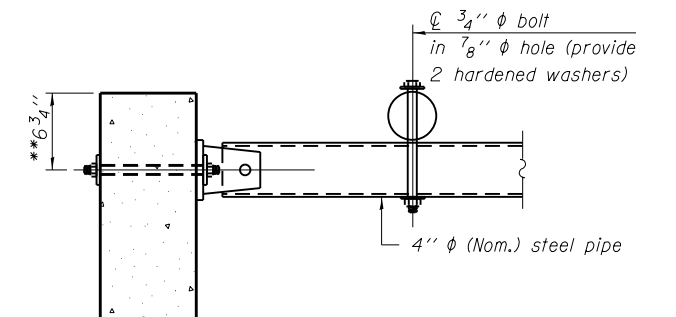


**DETAIL B**



**VIEW C-C**

(See Detail A for dimensions and details not shown.)



**SECTION D-D**

\*\* Measured perpendicular to top of culvert wall. In addition, formed hole shall be located a minimum of 6" measured horizontally from any vertical joints necessary for construction of the culvert end section.

10-16-12

FILE NAME  
D206911-shr-singlecelldetail.dgn  
PLOT DATE  
Wed Oct 02 08:55:30 2013

DESIGNED -	REVISED -
CHECKED -	REVISED -
DRAWN -	REVISED -
CHECKED -	REVISED -

**STATE OF ILLINOIS  
DEPARTMENT OF TRANSPORTATION**

**TRAVERSABLE PIPE GRATE FOR BOX CULVERTS**

SHEET NO. 1 OF 1 SHEETS

F.A.P. RTE.	SECTION	COUNTY	TOTAL SHEETS	SHEET NO.
505	(W-15D)T-2	WINNEBAGO	41	31
CONTRACT NO. 64H04				
ILLINOIS FED. AID PROJECT				