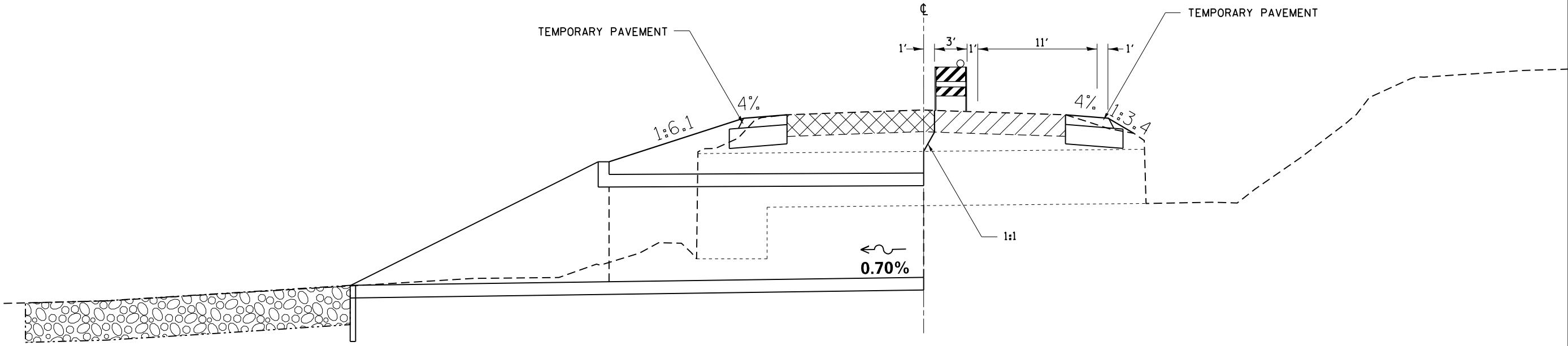




STAGING TYPICAL

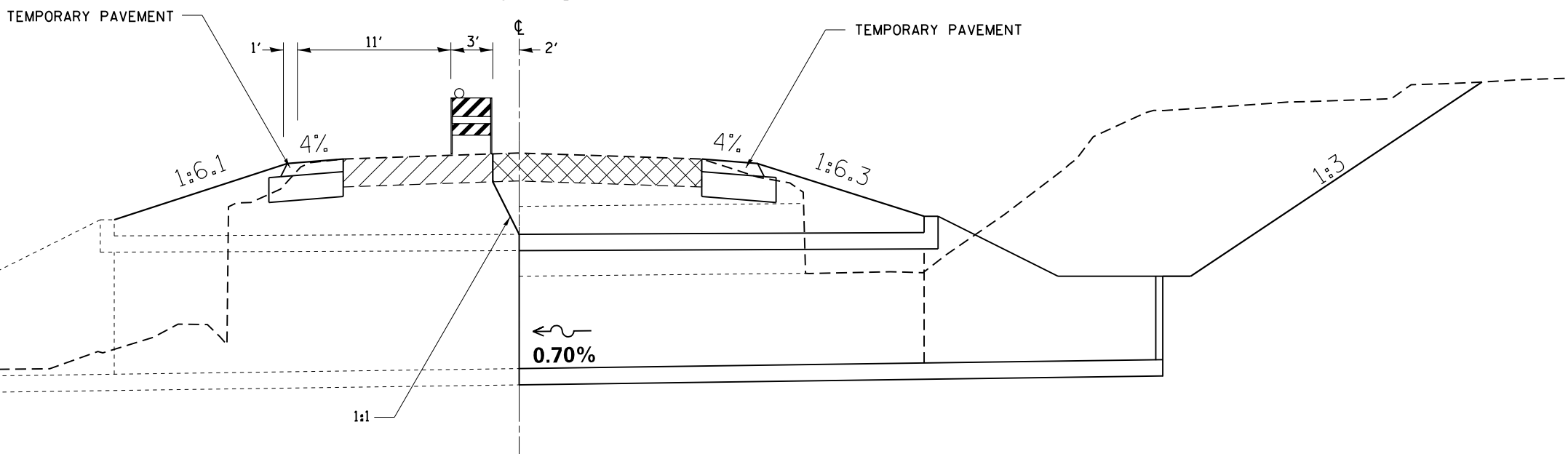
STATION 412 + 60.5
STAGE 1



STATION 412 + 60.5
STAGE 2

-  EXISTING PAVEMENT
-  PAVEMENT REMOVAL

- MATCH EXISTING CROSS SLOPE (MIN OF 1/8"/FT)
- RATE OF APPLICATION (112 LB/SQ YD/IN)



FILE NAME =	USER NAME = ditzlerse	DESIGNED -	REVISED -
c:\pwwork\pwwork\ditzlerse\0277441\0206911-sh-t-typical.dgn		DRAWN -	REVISED -
Default	PLOT SCALE = 100.0000' / in.	CHECKED -	REVISED -
	PLOT DATE = Wed Oct 02 08:55:11 2013	DATE -	REVISED -

STATE OF ILLINOIS
DEPARTMENT OF TRANSPORTATION

STAGING PLANS				
SCALE:	SHEET	OF	SHEETS	STA. TO STA.

F.A.P. RTE.	SECTION	COUNTY	TOTAL SHEETS	SHEET NO.
505	(W-15D)T-2	WINNEBAGO	41	22
CONTRACT NO. 64H04				
ILLINOIS FED. AID PROJECT				