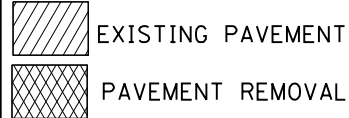
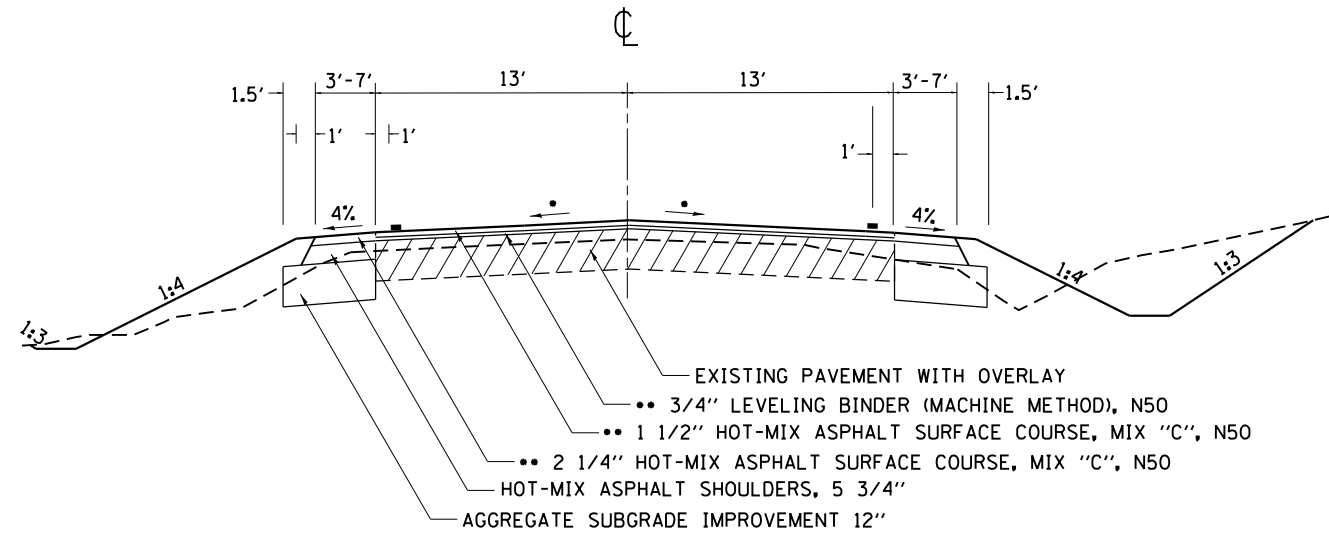


TYPICAL SECTION

STATION

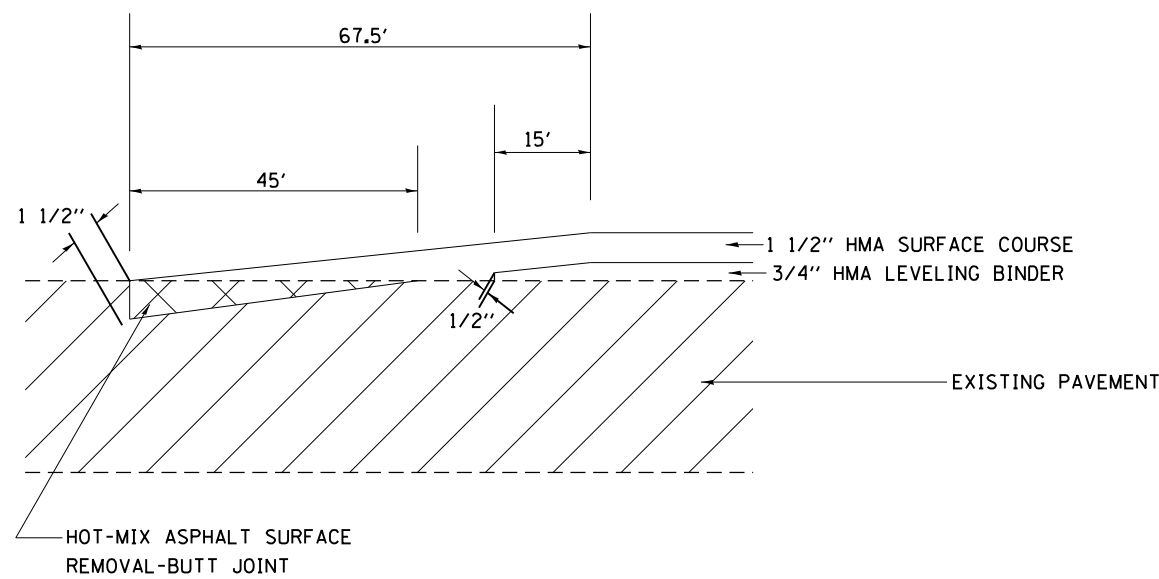
410 + 00 TO 410 + 50
414 + 50 TO 415 + 00



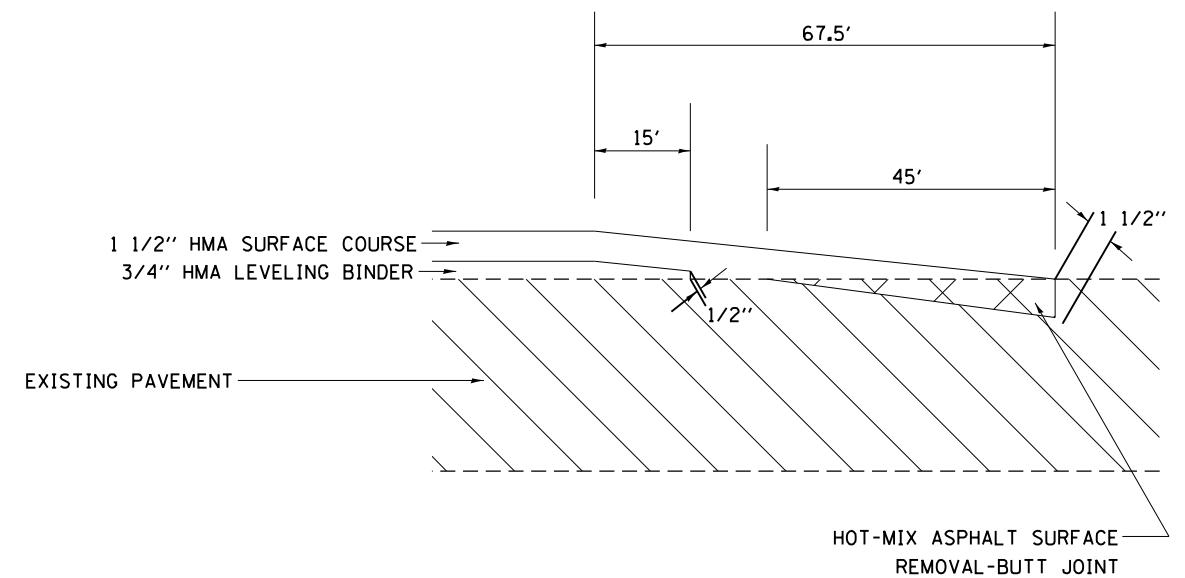
- MATCH EXISTING CROSS SLOPE (MIN OF 1/8"/FT)
- RATE OF APPLICATION (112 LB/SQ YD/IN)

TYPICAL BUTT JOINT TAPER

STATION
409 + 32.5 TO 410 + 00



STATION
415 + 00 TO 415 + 67.5



FILE NAME =	USER NAME = ditzlerse	DESIGNED -	REVISED -	STATE OF ILLINOIS DEPARTMENT OF TRANSPORTATION	TYPICAL SECTIONS			F.A.P. RTE.	SECTION	COUNTY	TOTAL SHEETS	SHEET NO.
Default	Plot Date = Wed Oct 02 08:54:31 2013	DRAWN -	REVISED -					505	(W-15D)T-2	WINNEBAGO	41	7
		CHECKED -	REVISED -		SCALE: SHEET OF SHEETS STA. TO STA.			CONTRACT NO. 64H04				
		DATE -	REVISED -		ILLINOIS FED. AID PROJECT							