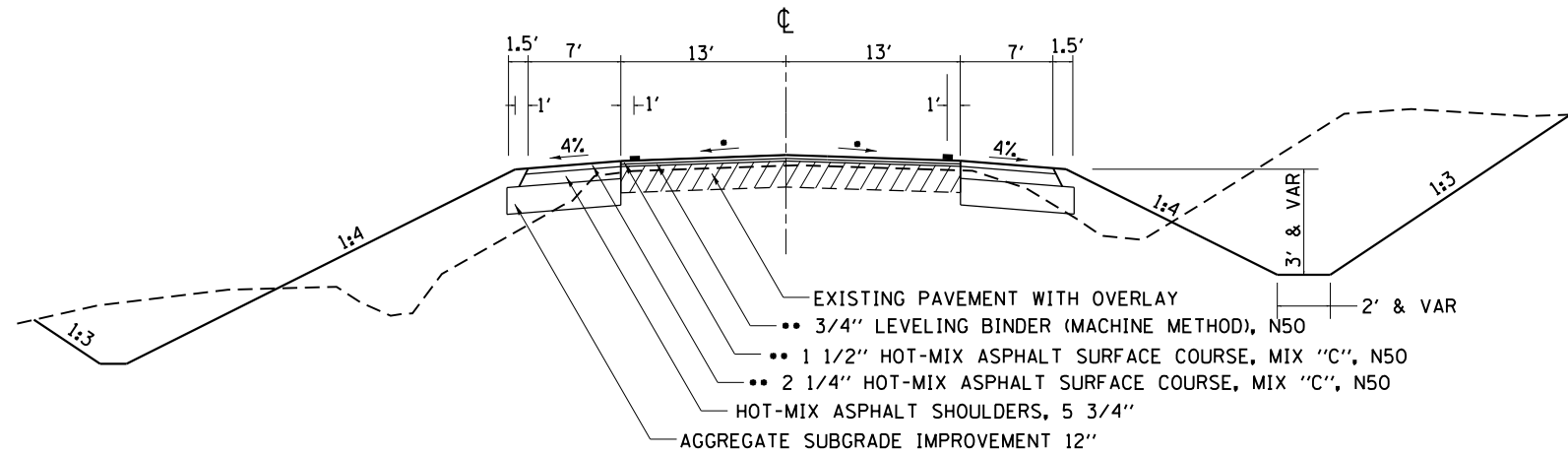


# TYPICAL SECTION

STATION

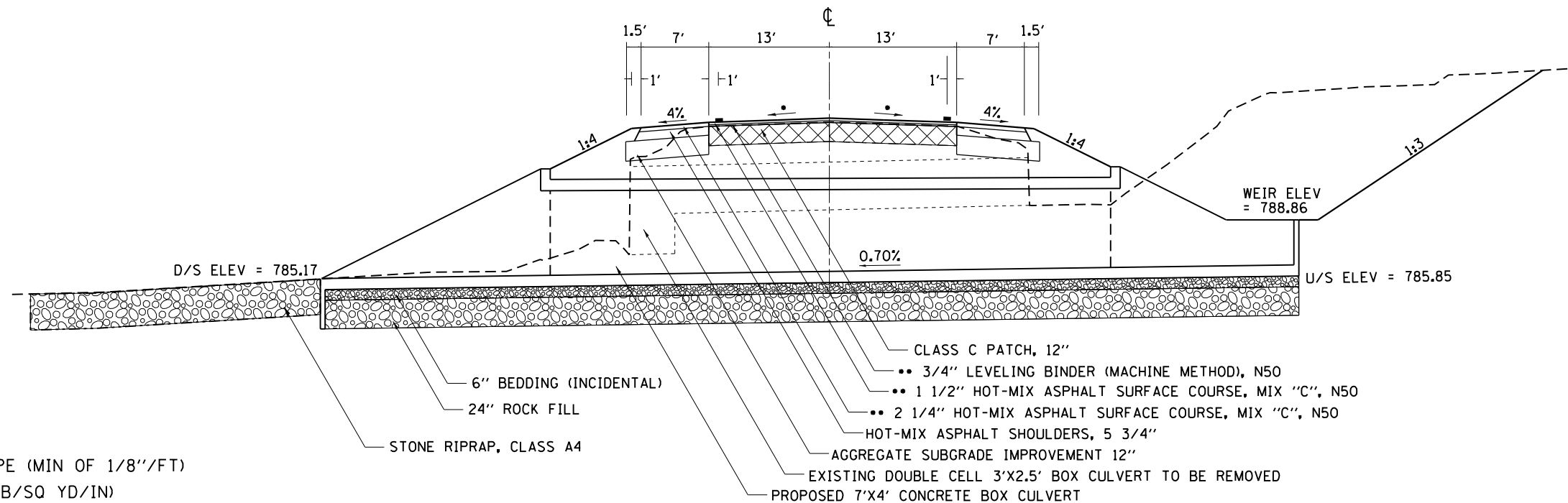
410 + 50 TO 414 + 50





# TYPICAL SECTION

STATION

412 + 60.59



-  EXISTING PAVEMENT
-  PAVEMENT REMOVAL

- MATCH EXISTING CROSS SLOPE (MIN OF 1/8"/FT)
- RATE OF APPLICATION (112 LB/SQ YD/IN)

FILE NAME =	USER NAME = ditzlerse	DESIGNED -	REVISED -
ct:\pw\work\p\dot\ditzlerse\0277441\0206911-sh-typical.dgn		DRAWN -	REVISED -
Default	PLOT SCALE = 100.0000' / in.	CHECKED -	REVISED -
	PLOT DATE = Wed Oct 02 08:54:31 2013	DATE -	REVISED -

STATE OF ILLINOIS  
 DEPARTMENT OF TRANSPORTATION

TYPICAL SECTIONS

SCALE: SHEET OF SHEETS STA. TO STA.

F.A.P. RTE.	SECTION	COUNTY	TOTAL SHEETS	SHEET NO.
505	(W-15-D)T-2	WINNEBAGO	41	6
CONTRACT NO. 64H04				
ILLINOIS FED. AID PROJECT				