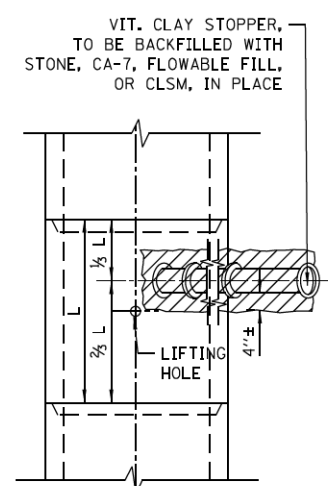
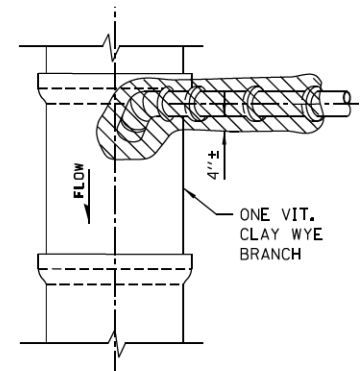


PLAN

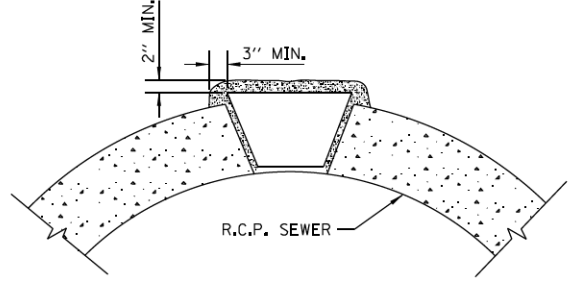


PLAN

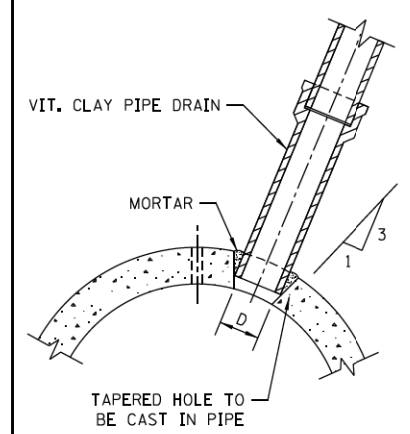


PLAN

NOTE:
PLUG TO BE COATED WITH MORTAR AND DRIVEN INTO PLACE WITH A WOODEN MALLET AND THEN SEALED WITH MORTAR.



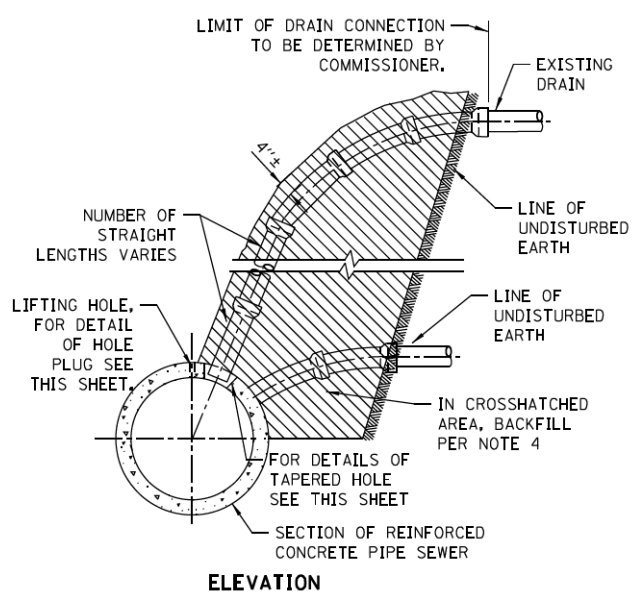
LIFTING HOLE PLUG DETAIL FOR CONCRETE PIPE



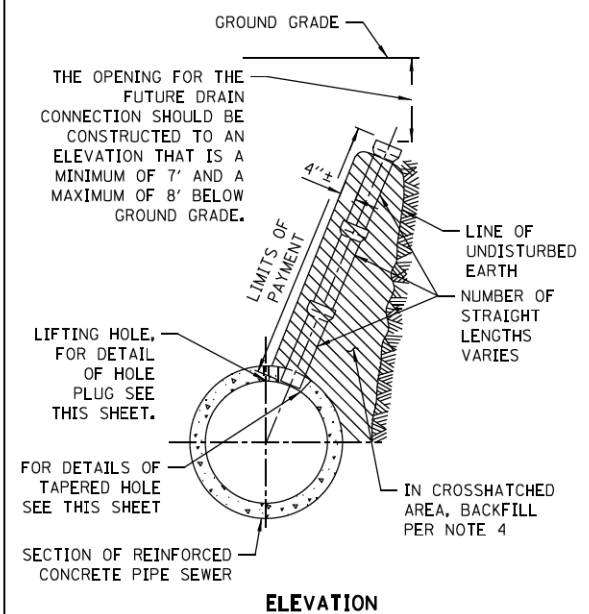
DETAIL OF TAPERED HOLE

SIZE OF DRAIN	"D"
6"	6 7/8"
8"	9 1/8"
10"	11 1/8"
12"	13 1/2"
15"	17"
18"	20 1/4"
21"	23 3/8"
24"	27 1/4"

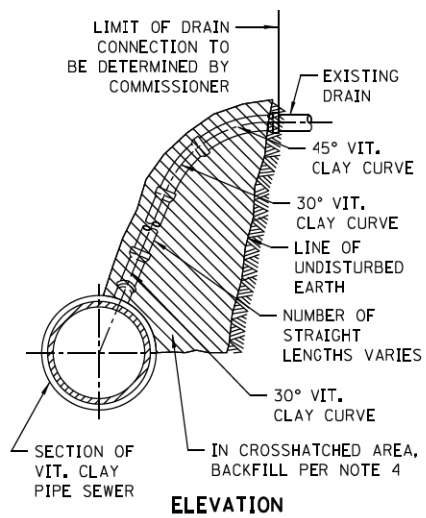
G:\CH\290137\Drawings\Standards\2013-08-07 CDWM Standards from AECOM Anna\CDWM_Details.cel 9/11/2013



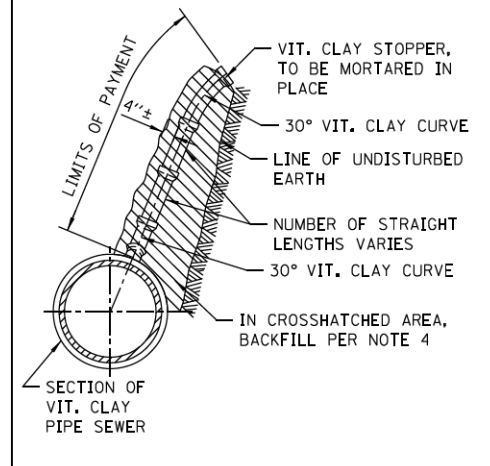
TYPICAL DRAIN CONNECTIONS FOR EXISTING DRAINS



TYPICAL DRAIN STACKS FOR FUTURE USE

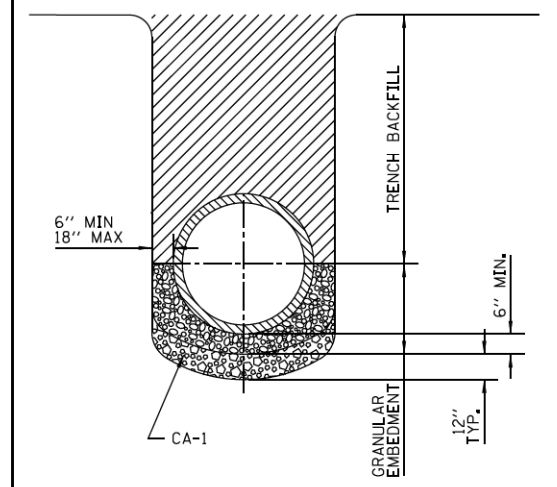


TYPICAL DRAIN CONNECTIONS FOR EXISTING DRAINS



TYPICAL DRAIN STACKS FOR FUTURE USE

NOTE:
GRANULAR MATERIAL WILL BE USED AS BEDDING FOR ALL PIPE SEWERS: SEE SPECIFICATIONS, BOOK 3,



DETAIL OF GRANULAR EMBEDMENT AND STABILIZATION FOR PIPE SEWERS

NOTES:
FOR STABILIZATION OF TRENCH BOTTOM AND PROVISIONS RELATING TO TRENCH BOX SUPPORT SEE SPECIFICATIONS, BOOK 3

- NOTES:
1. ALL DRAIN CONNECTION JOINTS MUST BE MADE AS SPECIFIED IN SPECIFICATIONS..
 2. FOR DUCTILE IRON PIPE DRAIN CONNECTIONS SEE SHEET NO. A.2.
 3. FOR ALL GRANULAR EMBANKMENT, USE CA-7 OR CA-11
 4. FOR BACKFILL OF MATCHED SUPPORT AREAS, USE CONCRETE, CA-11, FLOWABLE FILL, OR CLSM.

STANDARD REVISIONS	
DATE	DESCRIPTION
6/25/10	APPROVED PLAN

PERCENT COMPLETE	DATE
30	
60	
75	
90	
100	
BULLETIN	

CITY OF CHICAGO	
DEPARTMENT OF WATER MANAGEMENT	
BUREAU OF ENGINEERING SERVICES	
VITRIFIED CLAY PIPE DRAIN CONNECTIONS	

DRAWN	SIZE	A.1
DESIGNED		
CHECKED		
REVIEWED		



D:\6029-Sht-CDWM-01.dgn	DESIGNED - CDWM	REVISED -
USER NAME = BAWtor1	DRAWN - CDWM	REVISED -
PLOT SCALE = 2.0000' / in.	CHECKED - CDWM	REVISED -
PLOT DATE = 10/28/2013	DATE - 10/30/2013	REVISED -

STATE OF ILLINOIS
DEPARTMENT OF TRANSPORTATION

CITY OF CHICAGO - DEPARTMENT OF WATER MANAGEMENT
STANDARD DETAILS A.1
SCALE: NONE SHEET 1 OF 6 SHEETS STA. TO STA.

F.A.I. RTE.	SECTION	COUNTY	TOTAL SHEETS	SHEET NO.
90/94/290	2013-011R	COOK	356	341
CONTRACT NO. 60W29				
ILLINOIS FED. AID PROJECT				