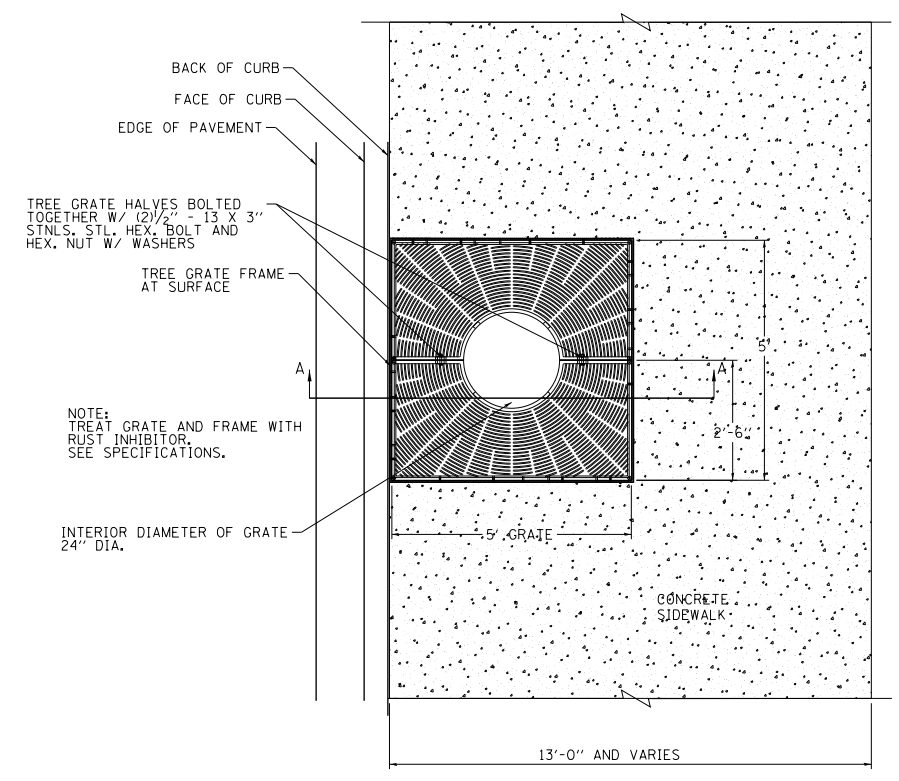
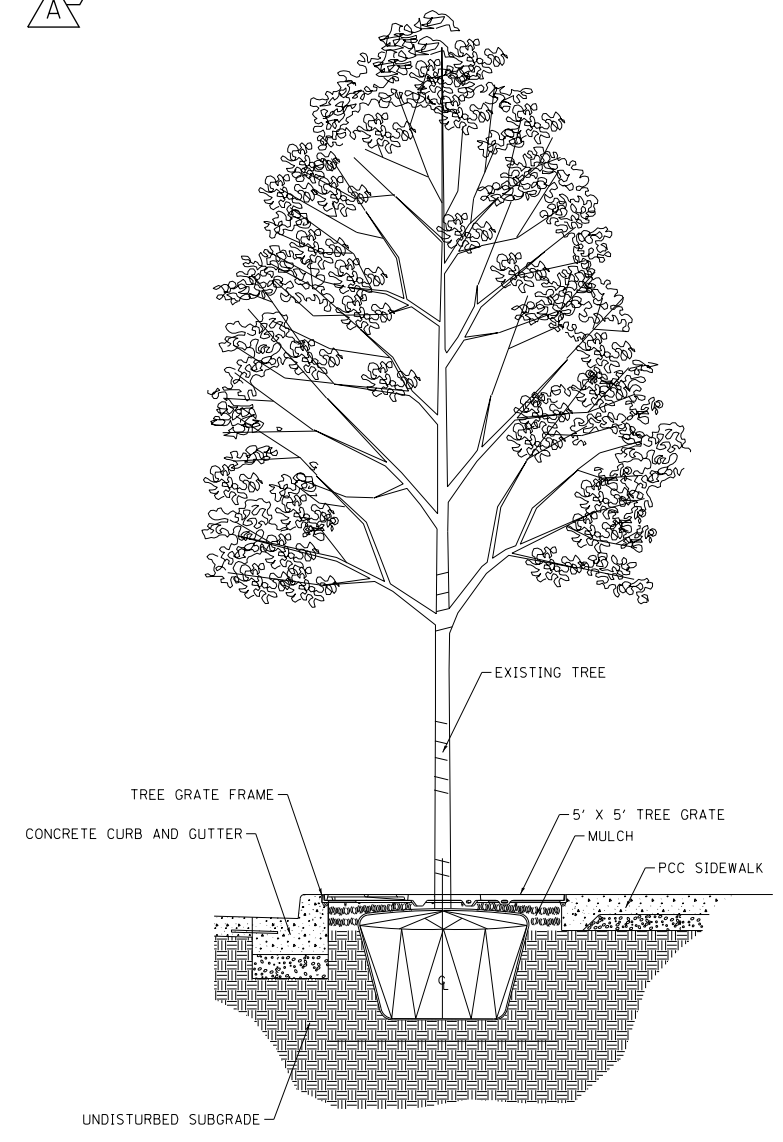


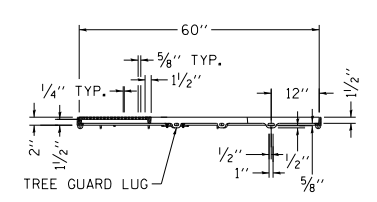
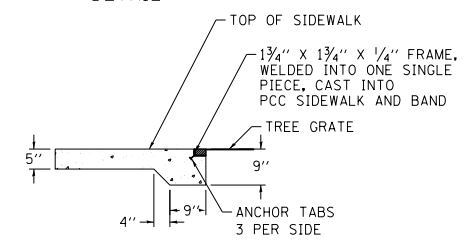
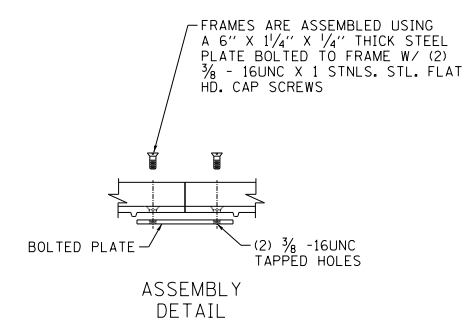
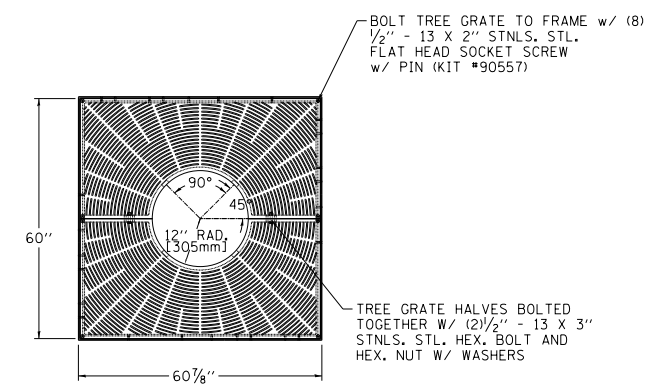
A



PLAN VIEW - TREE GRATE



SECTION A-A'



FILE PATH = p:\388035-p\m\l\escom\lme\local\p\wec\000\Documents\01_Americas\Transportation\60269938_Circle\Phase_1\1\000_CAD\006_Roadway_Sheets\60W29_Sht-Detail-05A.dgn



DI60W29-Sht-Detail-05A.dgn	DESIGNED - JLV	REVISED - A 12/18/2013
USER NAME = BAW:tor t	DRAWN - BAW	REVISED -
PLOT SCALE = 4.0000' / in.	CHECKED - JMG	REVISED -
PLOT DATE = 12/19/2013	DATE - 10/30/2013	REVISED -

STATE OF ILLINOIS
DEPARTMENT OF TRANSPORTATION

ROADWAY DETAILS
TREE GRATES

SCALE: NONE SHEET 5A OF 5 SHEETS STA. TO STA.

F.A.I. RTE.	SECTION	COUNTY	TOTAL SHEETS	SHEET NO.
90/94/290	2013-011R	COOK	356	336A
CONTRACT NO. 60W29			ILLINOIS FED. AID PROJECT	