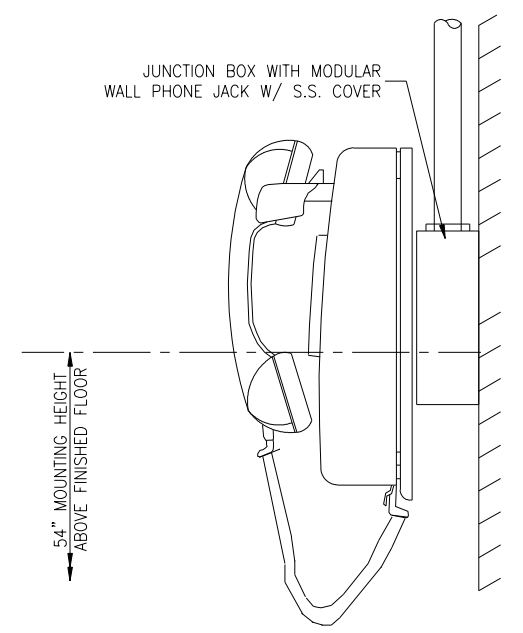
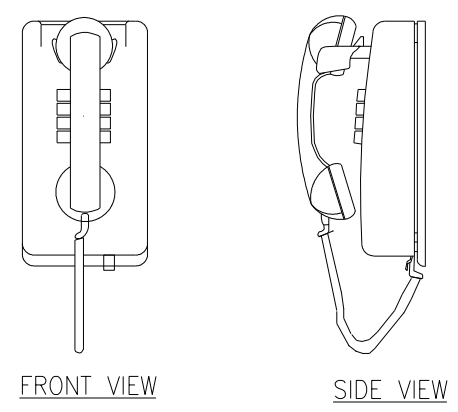
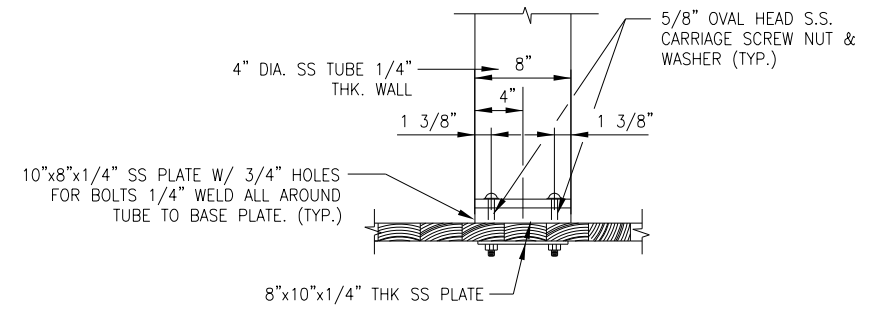


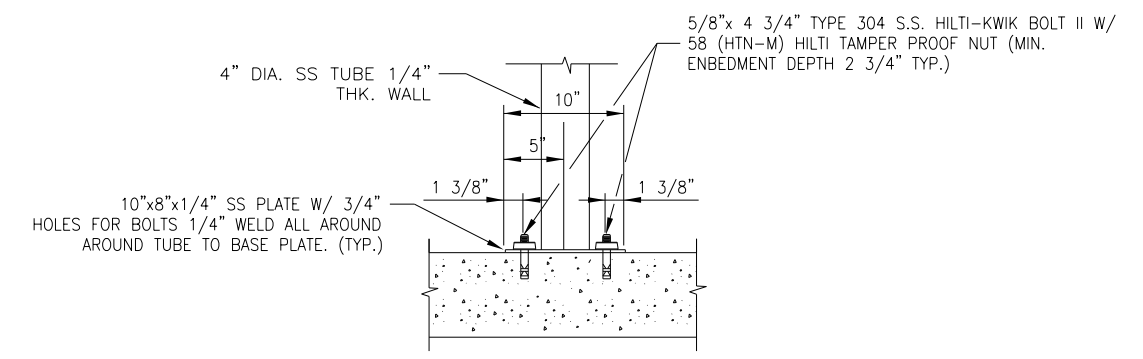
A



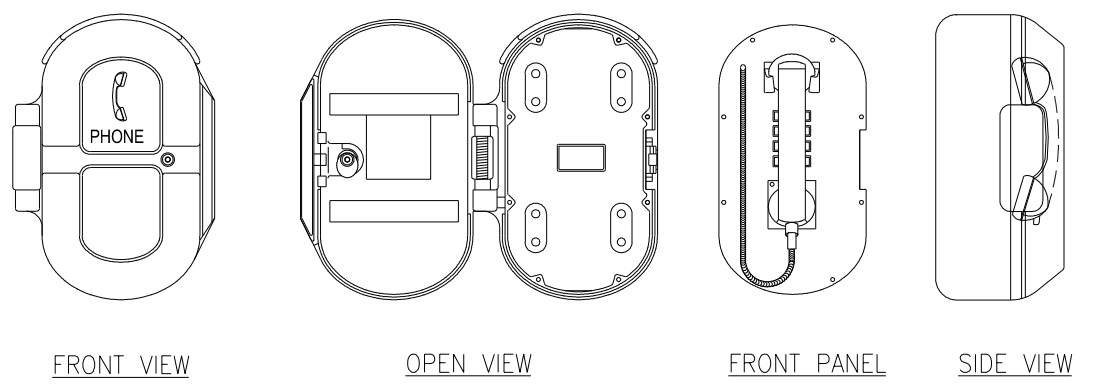
**1 TYPE 1 - INDOOR TELEPHONE WALL INSTALLATION**  
SCALE: NTS



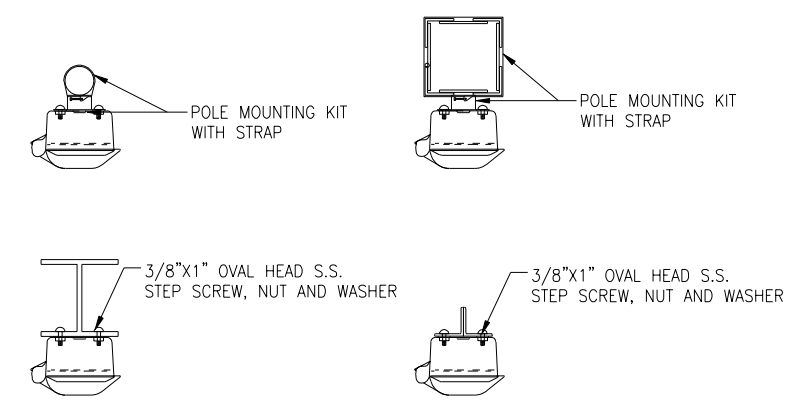
**2 STAND ALONE PHONE WOOD INSTALLATION**  
SCALE: NTS



**3 STAND ALONE PHONE CONCRETE INSTALLATION**  
SCALE: NTS



**4 TYPE 2 - OUTDOOR TELEPHONE**  
SCALE: NTS



**5 TYPE 2 - OUTDOOR TELEPHONE INSTALLATION**  
SCALE: NTS

A

**AAA ENGINEERING**  
WBE/DBE CERTIFIED  
5940 West Touhy Avenue, Suite 210, Niles, IL 60714  
Phone: 847-647-9300 • Fax: 847-647-4710



USER NAME = habib	DESIGNED -	REVISED -
	CHECKED -	REVISED -
PLOT SCALE = 2.0000 / in.	DRAWN -	REVISED -
PLOT DATE = 12/17/2013	CHECKED -	REVISED -

STATE OF ILLINOIS  
DEPARTMENT OF TRANSPORTATION

PEORIA STREET STATION  
COMMUNICATION EQUIPMENT DETAILS PART 1  
SHEET NO. T-4010F 117 SHEETS

MUN	SECTION	COUNTY	TOTAL SHEETS	SHEET NO.
2090	2013-011R	COOK	356	307
CONTRACT NO.			60W29	
ILLINOIS FED. AID PROJECT				

4:01:19 PM 307-60W29.dgn