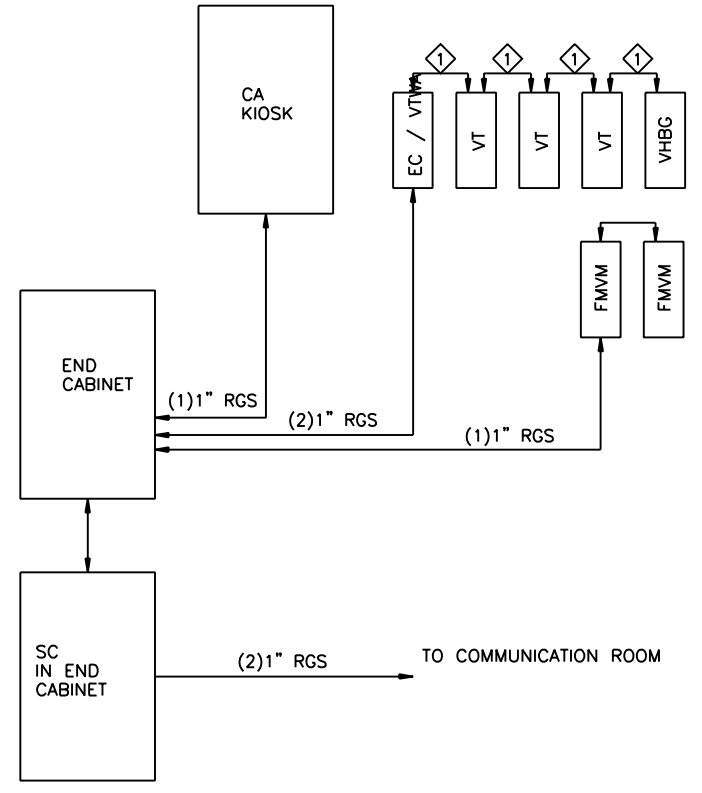


1 REVENUE EQUIPMENT ELECTRICAL POWER DIAGRAM
NTS



2 REVENUE EQUIPMENT COMMUNICATION DIAGRAM
NTS

KEYED NOTES:

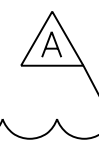
1 OVERHEAD CONDUIT AND WIRING PART OF THE FARE EQUIPMENT PACKAGE.

NOTES:

1. ALL CONDUITS TO ENTER FROM THE EQUIPMENT BOTTOM.
2. ALL DATA CABLES TO BE CATGEORY-6 UTP 4-PR.
3. ELECTRICAL CONTRACTOR TO PULL ALL POWER AND DATA CABLES BEFORE INSTALLATION AND TO PROVIDE 15' EXTRA LENGTH AT EACH STUB UP OR JUNCTION BOX.
4. SEE ELECTRICAL PLANS FOR REVENUE EQUIPMENT POWER REQUIREMENTS.
5. ALL POWER CIRCUITS TO REVENUE EQUIPMENT TO INCLUDE SEPARATE NEUTRAL WIRE FOR EACH CIRCUIT.
6. ALL CONDUIT TO BE ROUTED UNDER FLOOR SLAB, TYP.

LEGEND:

- EC - END CABINET
- FMVM - FARE MEDIA VENDING MACHINE (VENTRA)
- SC - STATION CONTROLLER
- TEX - TURNSTYLE, EXIT ONLY
- VHBG - VENTRA HIGH BARRIER GATE
- VT - VENTRA TURNSTYLE
- VTWA - VENTRA TURNSTYLE, WHEELCHAIR ACCESSIBLE



USER NAME = hab1b	DESIGNED -	REVISED -
	CHECKED -	REVISED - 12/18/2013
PLOT SCALE = 2.0000 / In.	DRAWN -	REVISED -
PLOT DATE = 12/17/2013	CHECKED -	REVISED -

MUN	SECTION	COUNTY	TOTAL SHEETS	SHEET NO.
2090	2013-011R	COOK	356	303
CONTRACT NO.			60W29	
ILLINOIS FED. AID PROJECT				