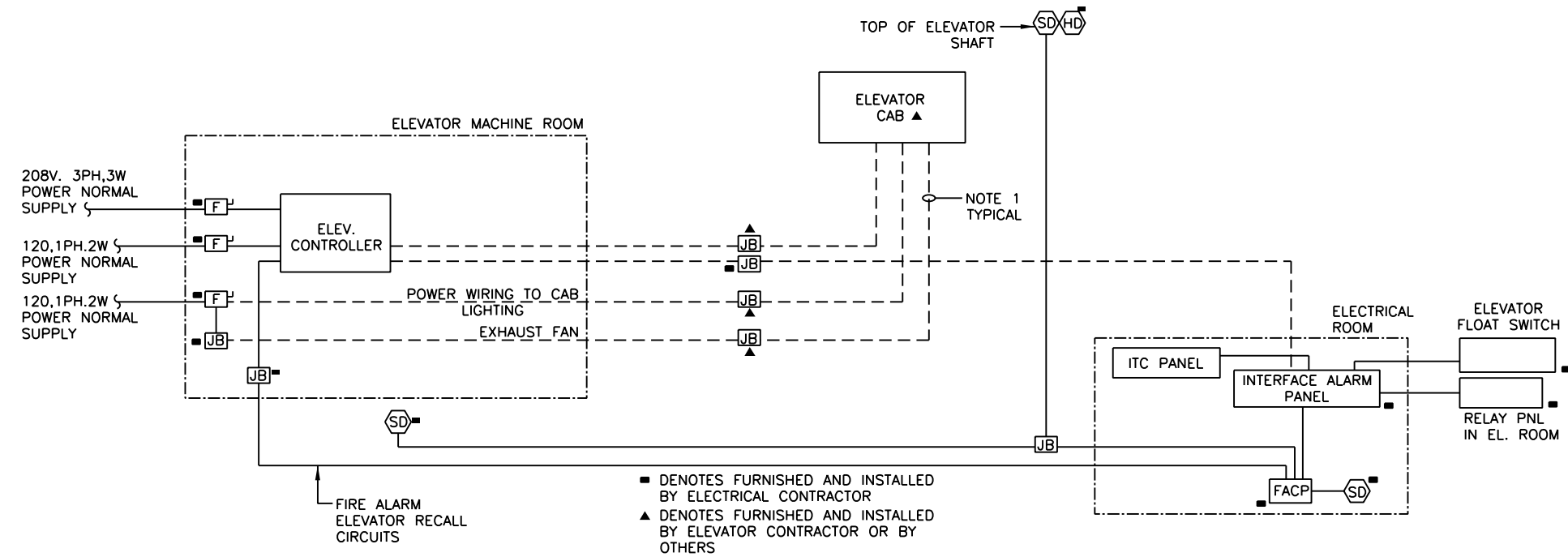
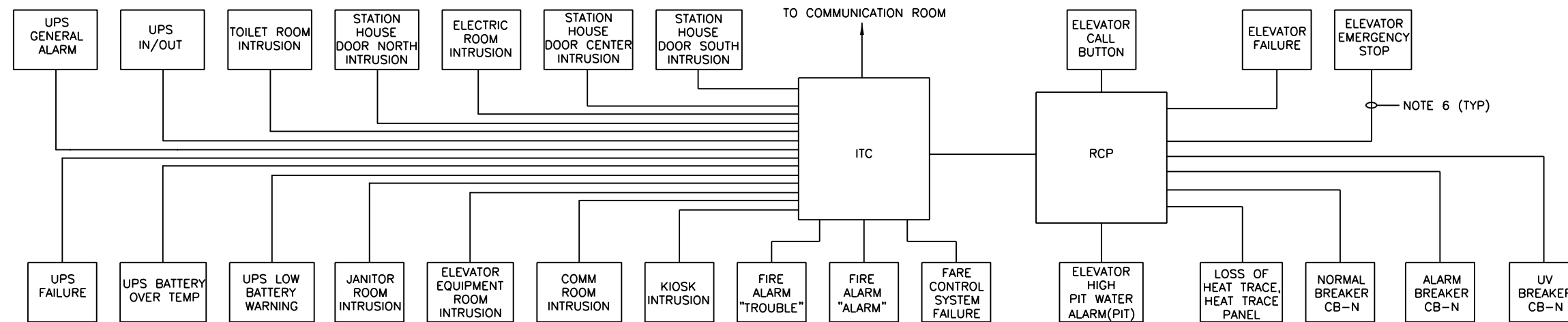


**NOTES:**

1. ALL CONDUITS AND WIRING SHOWN WITH "DASHED" LINES WILL BE DESIGNED, FURNISHED AND INSTALLED BY ELEVATOR CONTRACTOR.
2. CONTRACTOR IS TO FURNISH AND INSTALL ALL OTHER CONDUITS AND WIRING.
3. THE CONDUITS, ELECTRICAL ENCLOSURES, AND ALL OTHER ELECTRICAL COMPONENTS ARE TO BE ELECTRICALLY ISOLATED FROM EARTH GROUND.
4. FOR FEEDER AND CONDUIT SCHEDULES SEE OTHER PLANS AND DETAILS.
5. ELEVATOR BLOCK DIAGRAM IS TYPICAL FOR ALL ELEVATORS.
6. EACH DEVICE TO BE CONNECTED TO EITHER ITC OR RCP WITH 2-#14 AWG, 1 #14 AWG (G), IN 3/4" GRS CONDUIT.



**1 ELEVATOR INTERFACE/RELAY PANELS WIRING BLOCK DIAGRAM**  
SCALE N/A



**2 ITC/RCP PANEL WIRING BLOCK DIAGRAM**  
SCALE N/A

**AAA ENGINEERING**  
WBE/DBE CERTIFIED  
3940 West Touhy Avenue, Suite 210, Niles, IL 60714  
Phone: 847-647-9999 • Fax: 847-647-4719

**TranSystems**

USER NAME = habit	DESIGNED -	REVISED
PLOT SCALE = 0x2 1/4 in / in.	CHECKED -	REVISED
PLOT DATE = 10/28/2013	DRAWN -	REVISED
	CHECKED -	REVISED

**STATE OF ILLINOIS  
DEPARTMENT OF TRANSPORTATION**

**PEORIA STREET STATION  
ELECTRICAL BLOCK DIAGRAMS**

SHEET NO.98 OF 117 SHEETS

PRELIMINARY NOT FOR CONSTRUCTION

MUN	SECTION	COUNTY	TOTAL SHEETS	SHEET NO.
2090	2013-011R	COOK	356	289
CONTRACT NO. 60W29			ILLINOIS FED. AID PROJECT	

8/22/04 PM 2:59:50 W29.dgn