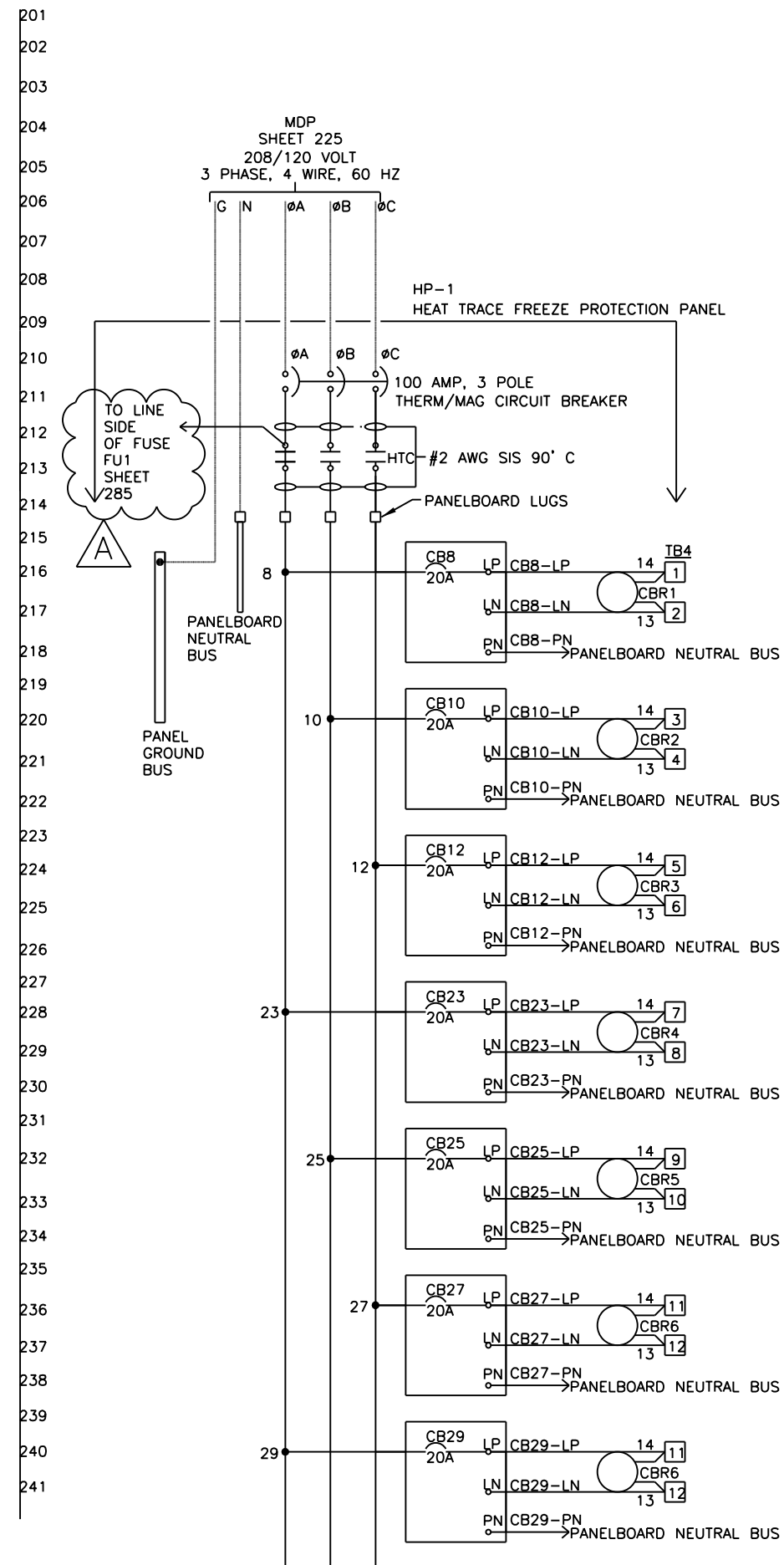


NOTES:

1. DASHED LINES INDICATE FIELD WIRING
2. SEE SHEET 277 FOR HP-1 SCHEDULE.



AAA ENGINEERING
WBE/DBE CERTIFIED
5940 West Touhy Avenue, Suite 210, Niles, IL 60714
Phone: 847-647-9300 • Fax: 847-647-4710



USER NAME = habib	DESIGNED JCM	REVISED 1/20/2014
	CHECKED OS	REVISED
PLOT SCALE = 0x2 in / in.	DRAWN HR	REVISED
PLOT DATE = 1/21/2014	CHECKED BC	REVISED

**STATE OF ILLINOIS
DEPARTMENT OF TRANSPORTATION**

**PEORIA STREET STATION
ELECTRICAL CONTROL DIAGRAM HEAT TRACING PART 1**

MUN	SECTION	COUNTY	TOTAL SHEETS	SHEET NO.
2090	2013-011R	COOK	356	284
CONTRACT NO. 60W29				

SHEET NO.E-208 OF 117 SHEETS

ILLINOIS FED. AID PROJECT

11:06:23 AM
60W29-284.dgn