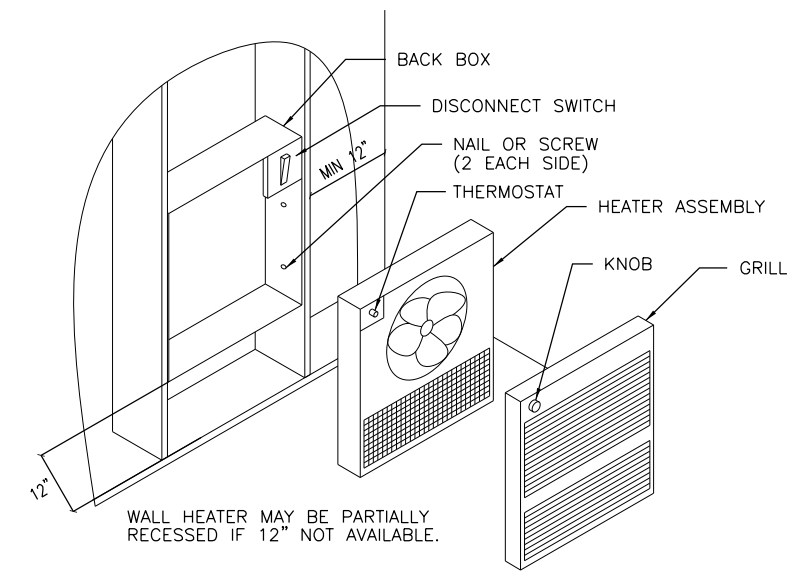


**1 MECHANICAL ELEVATOR SHAFT**  
SCALE: 1/4" = 1'-0"

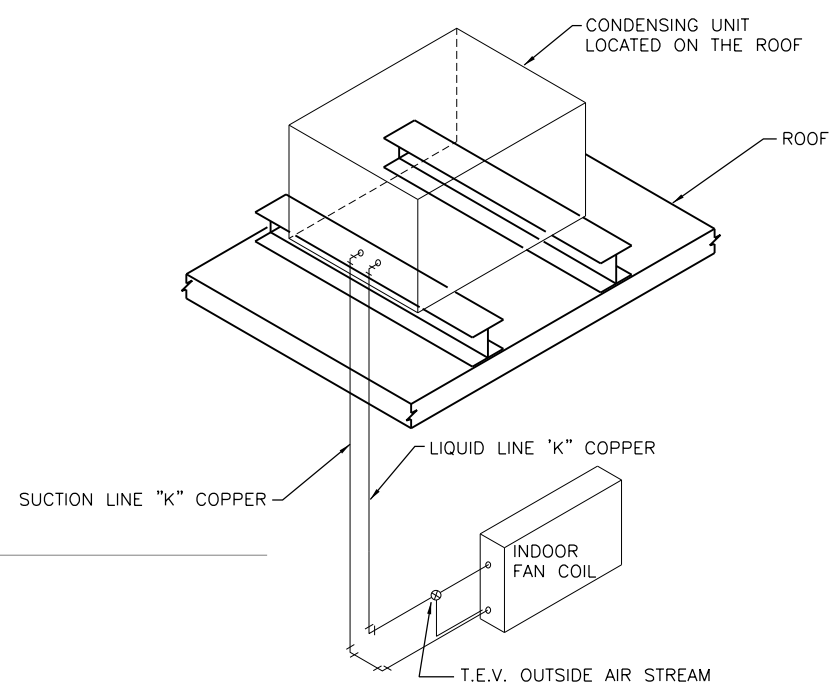
H-2  
INSTALL NEW WALL HEATER H-2 IN ELEVATOR PIT. SET TEMPERATURE TO HOLD A MINIMUM OF 45°F.

CU-1 LOCATE NEAR ACCESS FOR SERVICE. PLACE ON TOP OF CANOPY. VERIFY STRUCTURE CAN SUPPORT CU-1 BEFORE INSTALLATION. VERIFY CONDENSING UNIT FITS AVAILABLE SPACE ABOVE CANOPY. SEE ARCH. DRAWINGS FOR EXACT LOCATION.



**2 ELECTRIC WALL HEATER (EWH) DETAIL**  
SCALE: NONE

WALL HEATER MAY BE PARTIALLY RECESSED IF 12" NOT AVAILABLE.



**3 REFRIGERATION PIPING & COMPONENT DIAGRAM**  
SCALE: NONE

**REFRIGERATION NOTES:**

1. REMOVE EXPANSION VALVES, DEVICES, AND CONNECTIONS FROM THE AIR STREAM. INSTALL PRESSURE RELIEF VALVE ON HIGH PRESSURE SIDE OF SYSTEM. UPSTREAM FROM ANY LIQUID LINE SHUT-OFF VALVES.
2. REMOTE REFRIGERATION PIPING TO BE K-COPPER.
3. ALL JOINTS SHALL BE BRAZED.
4. ALL REFRIGERATION PIPING AND ACCESSORIES TO BE INSTALLED IN COMPLETE ACCORDANCE WITH MANUFACTURER'S RECOMMENDATIONS.

THIS IS A BUY USA (AMERICAN) PROJECT,  
ALL EQUIPMENT TO BE MANUFACTURED IN THE USA



USER NAME = habib	DESIGNED -	REVISED -
	CHECKED -	REVISOR -
PLOT SCALE = 8:0 '1" / 1in.	DRAWN -	REVISOR -
PLOT DATE = 12/17/2013	CHECKED -	REVISOR -

STATE OF ILLINOIS  
DEPARTMENT OF TRANSPORTATION

PEORIA STREET STATION  
MECHANICAL ELEVATOR ELEVATION  
SHEET NO. M-0030F 117 SHEETS

MUN	SECTION	COUNTY	TOTAL SHEETS	SHEET NO.
2090	2013-011R	COOK	356	264
CONTRACT NO.			60W29	
ILLINOIS FED. AID PROJECT				

3:35:03 PM 2/6/16 habib.dgn