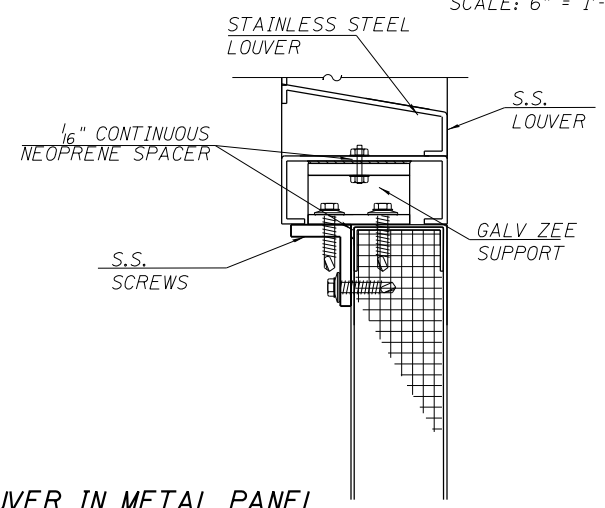
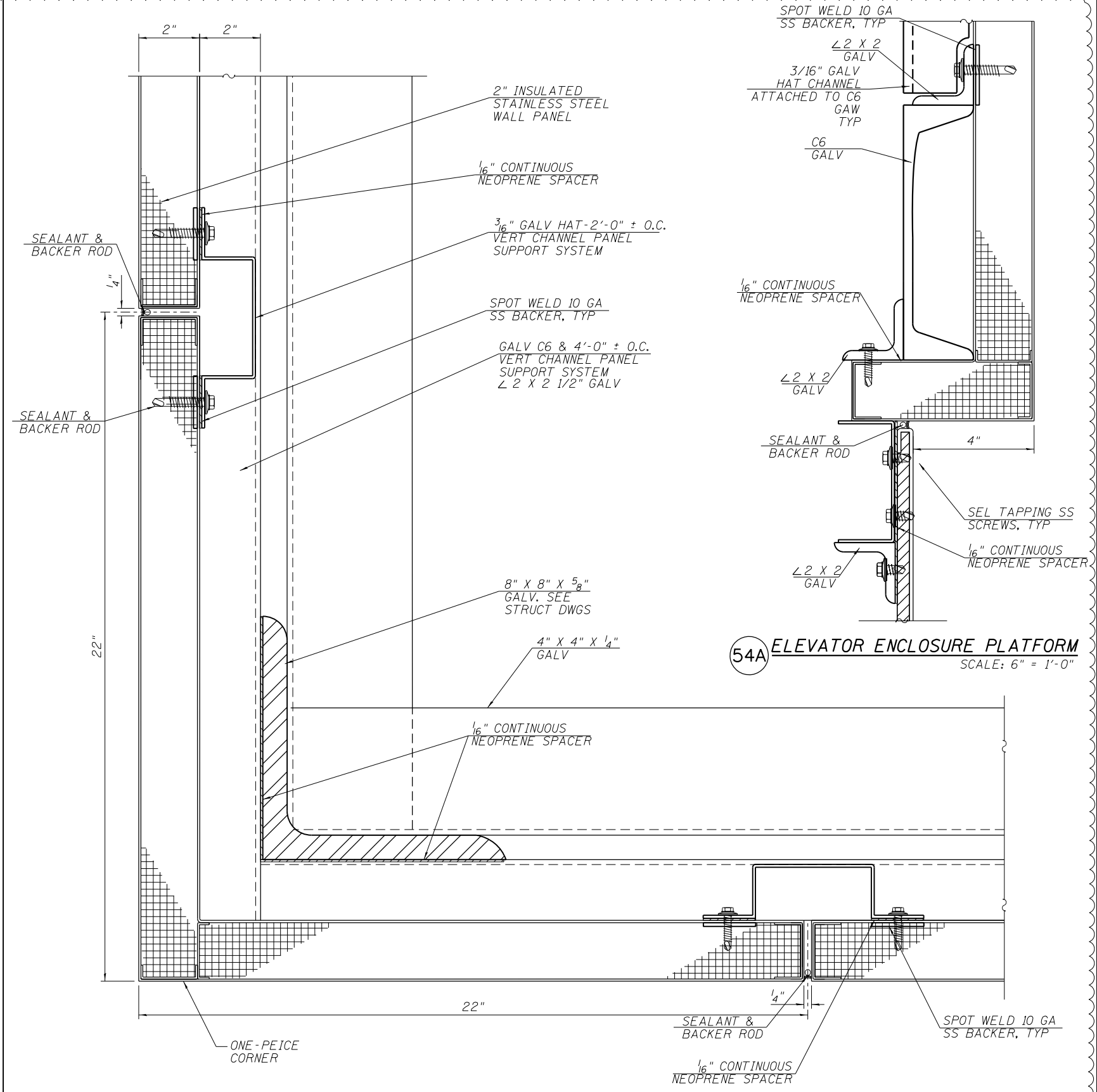


**53 SOFFIT AT ELEVATOR ENTRANCE METAL PANEL**  
SCALE: 6" = 1'-0"



**53A LOUVER IN METAL PANEL**  
SCALE: 6" = 1'-0"



**54 ELEVATOR ENCLOSURE PLATFORM**  
SCALE: 6" = 1'-0"

**54A ELEVATOR ENCLOSURE PLATFORM**  
SCALE: 6" = 1'-0"



4:32:57 PM 01/17/08-60W29-A-609.dgn



USER NAME = whnruce	DESIGNED - DAF	REVISED - 1/20/2014
PLOT SCALE = 4:0.0000 Ins/in / in.	CHECKED - CRR	REVISED -
PLOT DATE = 1/20/2014	DRAWN - MSL	REVISED -
	CHECKED - CRR	REVISED -

**STATE OF ILLINOIS  
DEPARTMENT OF TRANSPORTATION**

**PEORIA STREET STATION  
STATION DETAILS**

SHEET NO. A-609 OF 117 SHEETS

MUN	SECTION	COUNTY	TOTAL SHEETS	SHEET NO.
2090	2013-011R	COOK	356	2520
CONTRACT NO.			60W29	
ILLINOIS FED. AID PROJECT				